

# Hinges

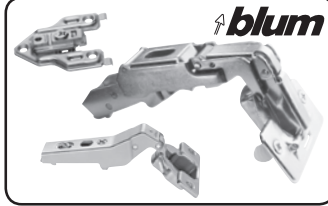
## Lift Systems

### Section 3A



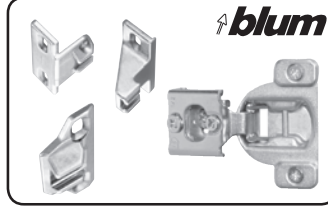
## CLIP and CLIP top Hinges

### Section 3B



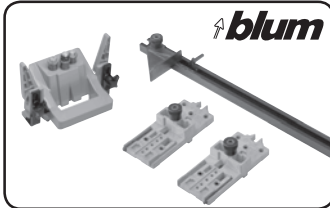
## COMPACT Hinges

### Section 3C



## Blum Accessories

### Section 3D



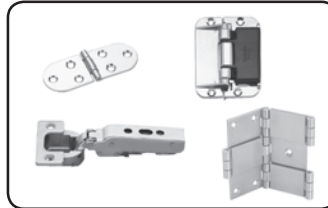
## RCS and RCL Hinges

### Section 3E



## SUGATSUNE Hinges

### Section 3F



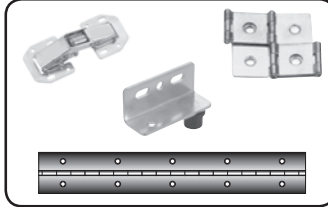
## Traditional Hinges

### Section 3G



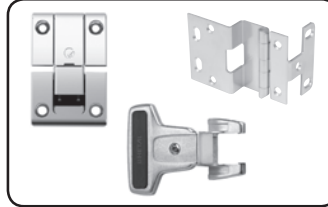
## Specialty Hinges

### Section 3H



## Institutional Hinges

### Section 3I



|  |          |
|--|----------|
| SCREWS AND FASTENERS                   | 1        |
| FURNITURE EQUIPMENT                    | 2        |
| <b>HINGES</b>                          | <b>3</b> |
| SLIDES                                 | 4        |
| CASTERS AND LEGS                       | 5        |
| KITCHEN SOLUTIONS                      | 6        |
| CLOSET SOLUTIONS                       | 7        |
| LIGHTING SOLUTIONS                     | 8        |
| SINKS AND FAUCETS                      | 9        |
| OFFICE                                 | 10       |
| SLIDING DOORS SYSTEMS                  | 11       |
| GLASS HARDWARE                         | 12       |
| PANELS AND SURFACES                    | 13       |
| EDGEBANDING                            | 14       |
| CABINET DOORS AND DRAWERS              | 15       |
| MOLDINGS, CORBELS AND WINE CELLARS     | 16       |
| GLUES, SILICONES, CAULK AND INSULATING | 17       |
| TOOLS AND SECURITY                     | 18       |
| FINISHING PRODUCTS AND ABRASIVES       | 19       |
| COMMERCIAL DISPLAY AND HARDWARE        | 20       |
| BUILDERS HARDWARE                      | 21       |

# SECTION 3



**AVENTOS HF**

Height range:  
479 mm (18-7/8") - 1067 mm (42")  
Width range:  
381 mm (15") - 1828 mm (72")

Bi-fold doors lift up and out of the way.



**AVENTOS HS**

Height range:  
350 mm (13-3/4") - 800 mm (31-1/2")  
Width range:  
381 mm (15") - 1828 mm (72")

Lifts doors up and over the cabinet.



**AVENTOS HL**

Height range:  
300 mm (11-13/16") - 580 mm (22-13/16")  
Width range:  
381 mm (15") - 1828 mm (72")

Doors lift parallel to the cabinet.



**AVENTOS HK**

Height range:  
300 mm (11-13/16") - 610 mm (24")  
Width range:  
381 mm (15") - 1828 mm (72")

Stay lifts swing up and out of the way.



**AVENTOS HK-S**

Height range:  
186 mm (7-3/8") - 610 mm (24")  
Width range:  
381 mm (15") - 1828 mm (72")

Ideal for smaller cabinets.



**AVENTOS HK-XS**

Height range:  
238 mm (9-3/8") - 610 mm (24")  
Width range:  
381 mm (15") - 1828 mm (72")

High quality in a convenient package.



**Determine the power factor for the application**

**i** Power factor = cabinet height (inch) x combined door weight\* (lb)

**Determine power factor**

To select the correct lift mechanism for a given application, the power factor must first be calculated by using the formula below. Use the table at the bottom of the page to convert ounces into decimal form for easy calculation.

Power factor = cabinet height multiplied by combined door weight\*

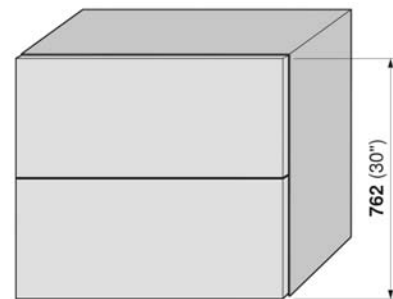
**Example:**

Cabinet height: 30" (within possible range)  
Combined door weight = 23 lb 14 oz (14 oz = .9 lb see chart below)

Power factor = 30 x 23.9  
Power factor = 717

After power factor determination, select appropriate lift mechanism according to the capacity of the lift mechanism

\*Including handle weight



Combined door weight\* = 23 lb 14 oz

**NOTE:** AVENTOS planning tools available at [blum.com/planning](http://blum.com/planning)

| Weight conversion chart |    |    |    |    |    |    |    |    |    |    |    |    |    |    |    |
|-------------------------|----|----|----|----|----|----|----|----|----|----|----|----|----|----|----|
| oz                      | 1  | 2  | 3  | 4  | 5  | 6  | 7  | 8  | 9  | 10 | 11 | 12 | 13 | 14 | 15 |
| lb                      | .1 | .1 | .2 | .3 | .3 | .4 | .4 | .5 | .6 | .6 | .7 | .8 | .8 | .9 | .9 |

**Important Information:**

Please see the technical documents to choose the right mechanism for the weight and height of your door.

CCRM 2018

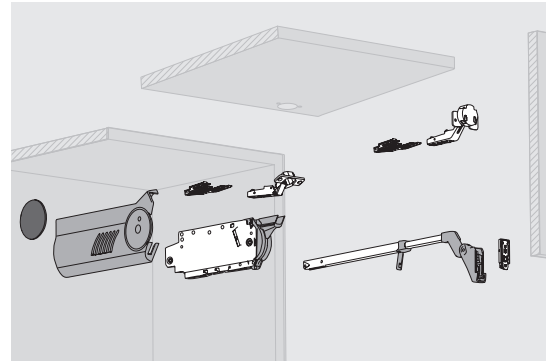
# Lift Systems

**AVENTOS HF - Standard or with SERVO-DRIVE**

**For Panel and Face Frame or for Narrow Aluminum Door Frames**

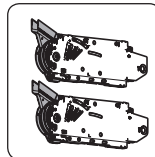


- Well suited for large cabinets
- For both panel and face frame applications or for narrow aluminum door hardware
- Cabinet height from 479 mm (18-7/8") to 1067 mm (42")
- Cabinet width from 381 mm (15") to 1828 mm (72")
- Interior depth minimum 278 mm (10-15/16")
- Includes a finger safety feature
- The three-dimensional adjustment feature enables doors to be precisely aligned
- Closes silently and effortlessly with BLUMOTION



**Lift Mechanism Set (2)**

| PRODUCT   | DOOR HEIGHT | DOOR LENGTH |
|-----------|-------------|-------------|
| 20F2200N5 | 400-1040mm  | 400-1800mm  |
| 20F2500N5 | 400-1040mm  | 400-1800mm  |
| 20F2800N5 | 400-1040mm  | 400-1800mm  |



**Set includes:**

- 2 Lift mechanism (symmetrical)
- #7 x 35 mm (1-3/8") wood screw (qty 10)

NOTE: Trial application recommended when the required power factor is in a borderline area of lift mechanisms

**Hardware Set for Panel and Face Frame**

| PRODUCT     | DESCRIPTION                        |
|-------------|------------------------------------|
| 78Z5500T180 | Wood or wide aluminum hardware set |

**Set includes:**

- CLIP top 120° free swing hinge (qty 2)
- COMPACT 33° free swing hinge (qty 2)
- CLIP top bottom door hinge (qty 2)
- COMPACT mounting plate (qty 2)
- Face frame adapter (qty 4)
- Telescopic arm mounting plate (qty 2)

NOTE: Three hinges and mounting plates are required for cabinet widths over 1219 mm (48") or combined door weight of 26.5 lb

**Hardware Set for Narrow Aluminum**

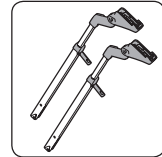
| PRODUCT    | DESCRIPTION                  |
|------------|------------------------------|
| 78Z550ATA5 | Narrow aluminum hardware set |

**Set includes:**

- CLIP top free swing narrow alum. top door hinge (qty 2)
- CLIP top narrow aluminum bottom door hinge (qty 2)
- Top door mounting plate (qty 2)
- Bottom door mounting plate (qty 2)
- Telescopic arm mounting plate (qty 4)
- Aluminum screw for the bottom door mounting plate, bottom hinge, top hinge and telescopic arm mounting plate (qty 8)

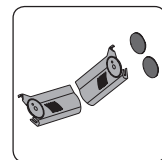
**Telescopic Arm Set (2)**

| PRODUCT | DOOR HEIGHT |
|---------|-------------|
| 20F3200 | 480-570 mm  |
| 20F3500 | 560-710 mm  |
| 20F3800 | 700-900 mm  |
| 20F3900 | 760-1040 mm |



**Cover Set (2)**

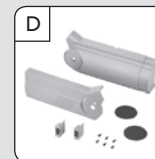
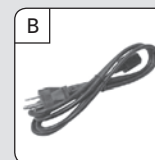
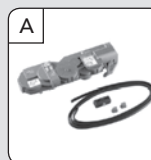
| PRODUCT   | MATERIAL | FINISH |
|-----------|----------|--------|
| 20F8000   | Plastic  | Gray   |
| 20F800030 | Plastic  | White  |



Set includes: Right and left cover

**For SERVO-DRIVE Application**

|   | PRODUCT   | DESCRIPTION                             |
|---|-----------|---|
| A | 21FA000   | SERVO-DRIVE unit                        |
| B | Z10M200U  | SERVO-DRIVE main plug – 100 to 240 volt |
| C | Z10NE030G | Transformer – 100 to 240 volt           |
| D | 21F8000   | Covers – Gray                           |
|   | 20F800030 | Covers – White                          |



CCRM 2018

- 1 SCREWS AND FASTENERS
- 2 FURNITURE EQUIPMENT
- 3 HINGES
- 4 SLIDES
- 5 CASTERS AND LEGS
- 6 KITCHEN SOLUTIONS
- 7 CLOSET SOLUTIONS
- 8 LIGHTING SOLUTIONS
- 9 SINKS AND FAUCETS
- 10 OFFICE
- 11 SLIDING DOORS SYSTEMS
- 12 GLASS HARDWARE
- 13 PANELS AND SURFACES
- 14 EDGE-BANDING
- 15 CABINET DOORS AND DRAWERS
- 16 MOLDINGS, CORBELS AND WINE CELLARS
- 17 GLUES, SILICONES, CAULK AND INSULATING
- 18 TOOLS AND SECURITY
- 19 FINISHING PRODUCTS AND ABRASIVES
- 20 COMMERCIAL DISPLAY AND HARDWARE
- 21 BUILDERS HARDWARE

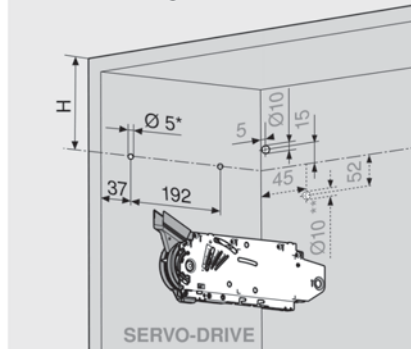
### Wooden Fronts and Wide Aluminum Door Frames

**Planning – symmetrical**

**Drilling position**

\* Drilling depth 5 mm

\*\* Alternative drilling

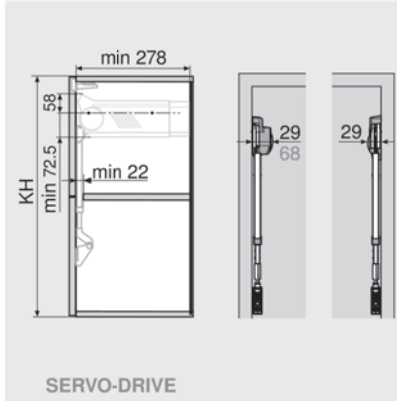


4 x chipboard screws Ø 4 x 35 mm

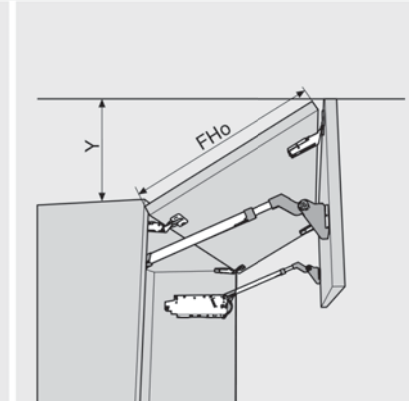
Drilling for SERVO-DRIVE distribution cable, left only

| Cabinet height KH (mm) | H (mm)        |
|------------------------|---------------|
| 480-549                | KH x 0.3 - 28 |
| 550-1040               | KH x 0.3 - 57 |

**Space requirement**



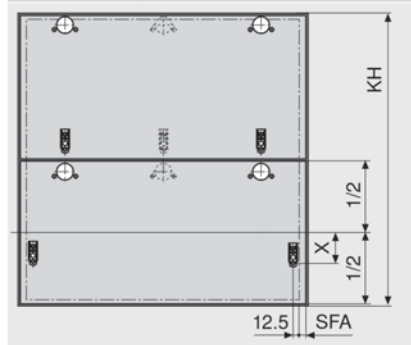
KH Cabinet height



FHo Upper front height

| Opening angle stop | Y (mm)          |
|--------------------|-----------------|
| Without            | FHo x 0.44 + 38 |
| 104°               | FHo x 0.24 + 34 |
| 83°                | 0               |

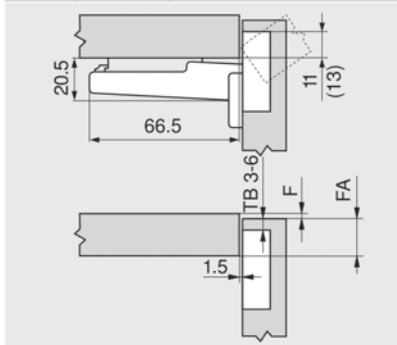
**Front assembly**



SFA Front overlay of the side panel

| Cabinet height KH (mm) | X (mm) |    |
|------------------------|--------|----|
| 480-549                | 70     | 68 |
| 550-1040               | 47     | 45 |

**CLIP top 120° hinge**

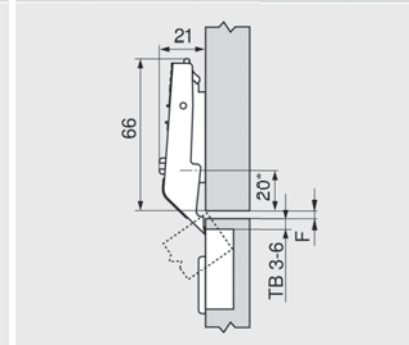


F Gap  
( ) CLIP top 120° special hinge

**Drilling distance TB**

| Mounting plate spacing (mm) | Front overlay FA (mm) |   |   |   |   |    |    |    |    |    |    |    |    |  |  |  |  |
|-----------------------------|-----------------------|---|---|---|---|----|----|----|----|----|----|----|----|--|--|--|--|
|                             | 5                     | 6 | 7 | 8 | 9 | 10 | 11 | 12 | 13 | 14 | 15 | 16 | 17 |  |  |  |  |
| 0                           |                       |   |   |   |   |    |    |    |    |    |    |    |    |  |  |  |  |
| 3                           |                       |   |   |   |   |    |    | 3  | 4  | 5  | 6  |    |    |  |  |  |  |
| 6                           |                       |   |   | 3 | 4 | 5  | 6  |    |    |    |    |    |    |  |  |  |  |
| 9                           | 3                     | 4 | 5 | 6 |   |    |    |    |    |    |    |    |    |  |  |  |  |

**CLIP top centre hinge**

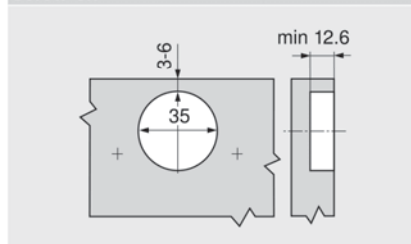


F Min. gap = 1.5 mm  
\* 37 mm for cruciform mounting plates (37/32)

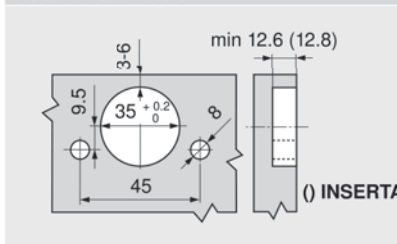
**Drilling distance TB**

| Mounting plate spacing (mm) | Horizontal gap between fronts F (mm) |   |   |   |  |  |  |  |  |  |  |
|-----------------------------|--------------------------------------|---|---|---|--|--|--|--|--|--|--|
|                             | 3                                    | 4 | 5 | 6 |  |  |  |  |  |  |  |
| 0                           |                                      |   |   |   |  |  |  |  |  |  |  |
| 3                           |                                      |   |   |   |  |  |  |  |  |  |  |
| 6                           |                                      |   |   |   |  |  |  |  |  |  |  |
| 9                           |                                      |   |   |   |  |  |  |  |  |  |  |

**Screw-on**



**INSERTA/EXPANDO**





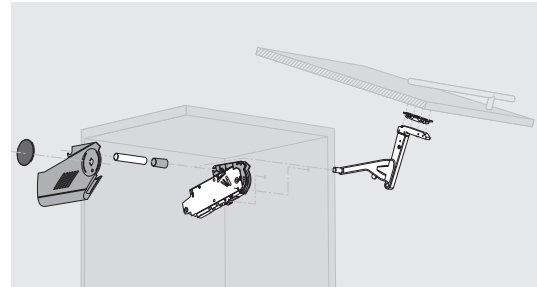
# Lift Systems

**AVENTOS HS - Standard or with SERVO-DRIVE**

**For Wood or Wide Aluminum Door or for Narrow Aluminum Door Frames**

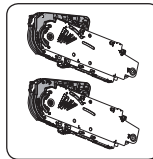


- Suited for cabinets with cornice or crown molding
- For both panel and face frame cabinet
- Ideal for large-area, single fronts
- Cabinet height from 350 mm (13-3/4") to 675 mm (26-5/8")
- Cabinet width from 381 mm (15") to 1828 mm (72")
- Closes silently and effortlessly with BLUMOTION



**Lift Mechanism Set (2)**

| PRODUCT   | DOOR HEIGHT | DOOR LENGTH |
|-----------|-------------|-------------|
| 20S2A00N5 | 350-525 mm  | 400-1800mm  |
| 20S2B00N5 | 350-525 mm  | 400-1800mm  |
| 20S2D00N5 | 526-675 mm  | 400-1800mm  |
| 20S2E00N5 | 526-675 mm  | 400-1800mm  |

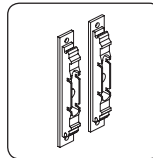


Set includes:

- Lift mechanism (qty 2)
- #7 x 35 mm (1-3/8") wood screw (qty 10)

**Hardware Set for Wood or Wide Aluminum**

| PRODUCT | DESCRIPTION                        |
|---------|------------------------------------|
| 20S4200 | Wood or wide aluminum hardware set |

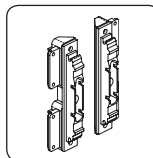


Set includes:

- Arm assembly mounting plate (qty 2)

**Hardware Set for Narrow Aluminum**

| PRODUCT  | DESCRIPTION                  |
|----------|------------------------------|
| 20S4200A | Narrow aluminum hardware set |

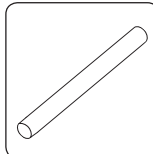


Set includes:

- Narrow aluminum arm assembly mounting plate (qty 2)
- Aluminum screw for narrow aluminum lever arm mounting plate (qty 8)

**Cross Stabilizer Bar**

| PRODUCT   | MATERIAL | FINISH |
|-----------|----------|--------|
| 20Q1061UN | Metal    | Silver |



- Aluminum rod length 1061 mm (41-3/4"), cut to size
- Length = inside cabinet width minus 129 mm (5-1/16") for SERVO-DRIVE minus 164 mm (6-7/16")

NOTE: For cabinets wider than 48", a stabilizer rod connector set is required.

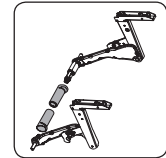
**Connecting Piece for Cross Stabilizer with Servo-Drive**

| PRODUCT  |
|----------|
| 20Q153ZN |



**Telescopic Arm Set (2)**

| PRODUCT   | DESCRIPTION         | DOOR HEIGHT |
|-----------|---------------------|-------------|
| 20S350006 | Without SERVO-DRIVE | 350-675 mm  |
| 21S350001 | For SERVO-DRIVE     | 350-675 mm  |

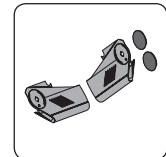


Set includes:

- Right and left arm assembly
- Stabilizer rod cover cap (qty 2)

**Cover Set (2)**

| PRODUCT   | MATERIAL | FINISH |
|-----------|----------|--------|
| 20S8000   | Plastic  | Gray   |
| 20S800030 | Plastic  | White  |

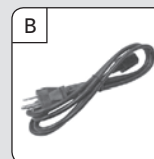
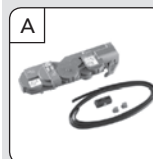


Set includes:

- Right and left cover
- Non-handed cover cap (qty 2)

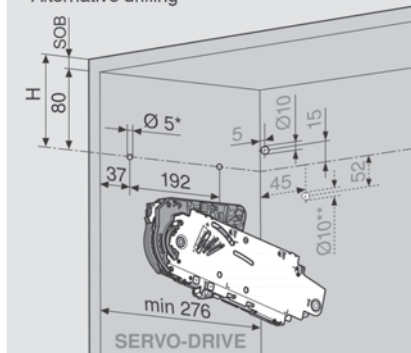
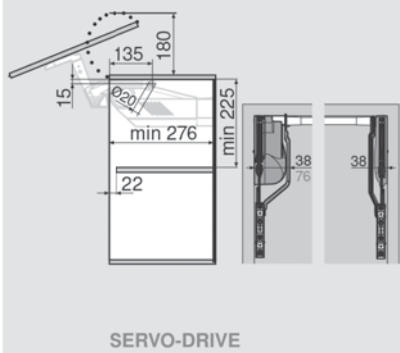
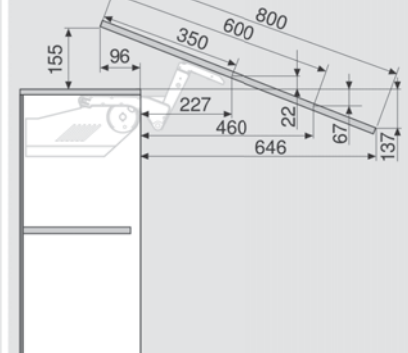
**For SERVO-DRIVE Application**

|   | PRODUCT   | DESCRIPTION                             |
|---|-----------|---|
| A | 21FA000   | SERVO-DRIVE unit                        |
| B | Z10M200U  | SERVO-DRIVE main plug – 100 to 240 volt |
| C | Z10NE030G | Transformer – 100 to 240 volt           |
| D | 21S8000   | Covers – Gray                           |
|   | 20S800030 | Covers – White                          |

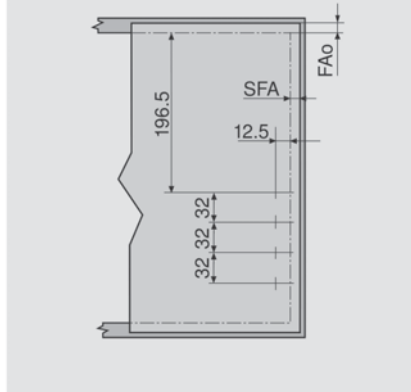
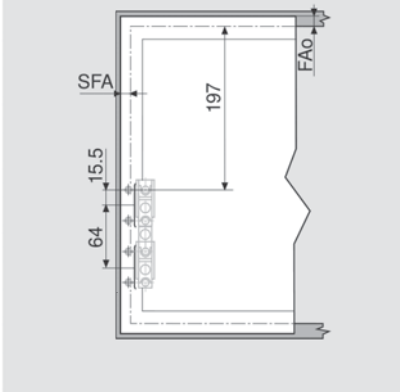
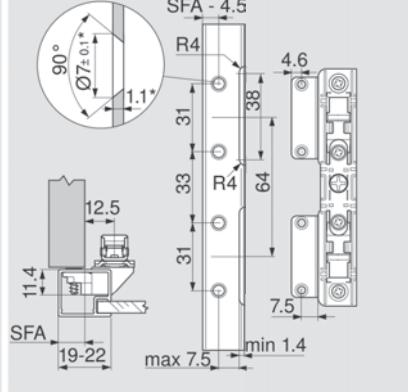


- 1 SCREWS AND FASTENERS
- 2 FURNITURE EQUIPMENT
- 3 HINGES
- 4 SLIDES
- 5 CASTERS AND LEGS
- 6 KITCHEN SOLUTIONS
- 7 CLOSET SOLUTIONS
- 8 LIGHTING SOLUTIONS
- 9 SINKS AND FAUCETS
- 10 OFFICE
- 11 SLIDING DOORS SYSTEMS
- 12 GLASS HARDWARE
- 13 PANELS AND SURFACES
- 14 EDGE-BANDING
- 15 CABINET DOORS AND DRAWERS
- 16 MOLDINGS, CORBELS AND WINE CELLARS
- 17 GLUES, SILICONES, CAULK AND INSULATING
- 18 TOOLS AND SECURITY
- 19 FINISHING PRODUCTS AND ABRASIVES
- 20 COMMERCIAL DISPLAY AND HARDWARE
- 21 BUILDERS HARDWARE

### Wooden Fronts, Wide and Narrow Aluminum Door Frames

| Planning  | Space requirement   | Front setting   |
|---|---|---|
| <p><b>Drilling position</b></p> <p>* Drilling depth 5 mm</p> <p>** Alternative drilling</p>  |  |  <p>Dimensions depend on tilt adjustment</p> |

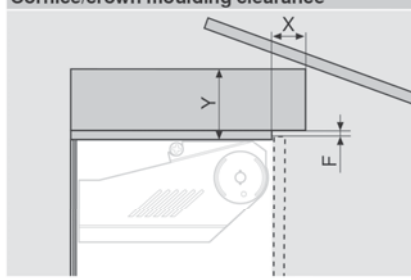
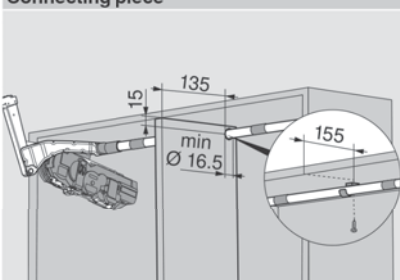
SOB Top panel thickness  
 5 x chipboard screws Ø 4 x 35 mm  
 Drilling for SERVO-DRIVE distribution cable, left only

| Front assembly – wooden fronts and wide aluminum frames                             | Front assembly – narrow aluminum frames   | Planning – narrow aluminum frames   |
|---|---|---|
|  |  |  |

Use 4 chipboard screws (609.1x00) for wooden fronts. Use 4 counter sunk self tapping screws (660.0950) for wide aluminum frames

FAo Upper front overlay  
 SFA Front overlay of the side panel  
 Wall application: min. gap required 5 mm

\* When changing material thickness, adjust the assembly dimensions accordingly  
 For frame width 19 mm, a side front overlay SFA of 11 - 18 mm is possible

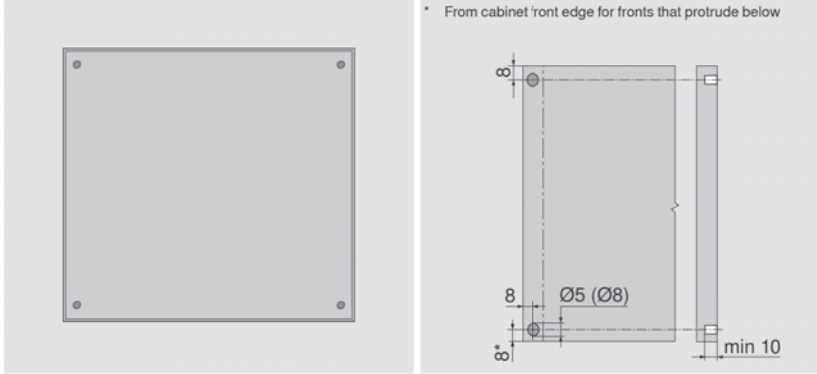
| Cornice/crown moulding clearance  | Connecting piece  |             |             |     |    |     |     |    |     |     |    |     |  |
|---|---|-------------|-------------|-----|----|-----|-----|----|-----|-----|----|-----|--|
|    |  |             |             |     |    |     |     |    |     |     |    |     |  |
| <table border="1"> <thead> <tr> <th>Gap F (mm)</th> <th>X max. (mm)</th> <th>Y max. (mm)</th> </tr> </thead> <tbody> <tr> <td>3.0</td> <td>35</td> <td>101</td> </tr> <tr> <td>2.0</td> <td>31</td> <td>101</td> </tr> <tr> <td>1.5</td> <td>28</td> <td>101</td> </tr> </tbody> </table> | Gap F (mm)  | X max. (mm) | Y max. (mm) | 3.0 | 35 | 101 | 2.0 | 31 | 101 | 1.5 | 28 | 101 |  |
| Gap F (mm)  | X max. (mm)   | Y max. (mm) |             |     |    |     |     |    |     |     |    |     |  |
| 3.0   | 35  | 101         |             |     |    |     |     |    |     |     |    |     |  |
| 2.0   | 31  | 101         |             |     |    |     |     |    |     |     |    |     |  |
| 1.5   | 28  | 101         |             |     |    |     |     |    |     |     |    |     |  |

CCRM 2018

### Wooden Fronts, Wide and Narrow Aluminum Door Frames

#### Planning

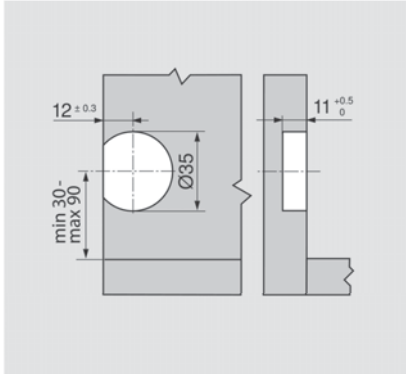
#### Blum distance bumper (SERVO-DRIVE application only)



Insert Blum distance bumper (do not glue)

From cabinet front edge for fronts that protrude below  
Recommendation for aluminum frames:  
Consider drilling for the Blum distance bumper in the cabinet side. A trial application must be carried out when fixing to the front

#### SERVO-DRIVE switch

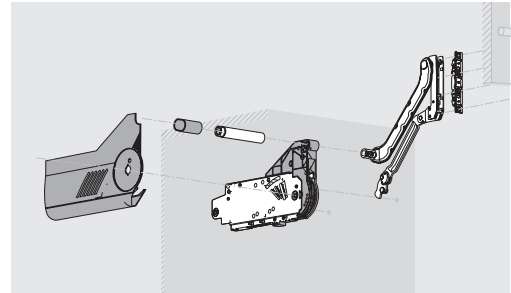


- 1 SCREWS AND FASTENERS
- 2 FURNITURE EQUIPMENT
- 3 HINGES**
- 4 SLIDES
- 5 CASTERS AND LEGS
- 6 KITCHEN SOLUTIONS
- 7 CLOSET SOLUTIONS
- 8 LIGHTING SOLUTIONS
- 9 SINKS AND FAUCETS
- 10 OFFICE
- 11 SLIDING DOORS SYSTEMS
- 12 GLASS HARDWARE
- 13 PANELS AND SURFACES
- 14 EDGE-BANDING
- 15 CABINET DOORS AND DRAWERS
- 16 MOLDINGS, CORBELS AND WINE CELLARS
- 17 GLUES, SILICONES, CAULK AND INSULATING
- 18 TOOLS AND SECURITY
- 19 FINISHING PRODUCTS AND ABRASIVES
- 20 COMMERCIAL DISPLAY AND HARDWARE
- 21 BUILDERS HARDWARE

### For Panel and Face Frame or for Narrow Aluminum Door Frames

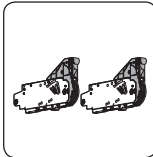


- Suited for wall cabinets and/ or as a garage application
- For both panel and face frame application
- Cabinet height from 300 mm (11-13/16") to 580 mm (22-13/16")
- Cabinet width from 381 mm (15") to 1828 mm (72")
- Interior cabinet depth minimum of 278 mm (10-15/16")
- Closes silently and effortlessly with BLUMOTION
- Simple, virtually tool-free assembly and easy adjustment



### Lift Mechanism Set (2)

| PRODUCT   | DOOR HEIGHT | DOOR LENGTH |
|-----------|-------------|-------------|
| 20L2100N5 | 300-400 mm  | 400-1800 mm |
| 20L2300N5 | 300-580 mm  | 400-1800 mm |
| 20L2500N5 | 300-580 mm  | 400-1800 mm |
| 20L2700N5 | 300-580 mm  | 400-1800 mm |
| 20L2900N5 | 350-580 mm  | 400-1800 mm |



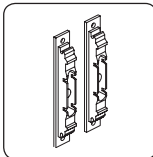
**Set includes:**

- Lift mechanism (qty 2)
- #7 x 35 mm (1-3/8") wood screw (qty 10)

NOTE: Trial application recommended when the required door weight is in a borderline area of lift mechanisms

### Hardware Set for Wood or Wide Aluminum

| PRODUCT | DESCRIPTION                        |
|---------|------------------------------------|
| 20S4200 | Wood or wide aluminum hardware set |

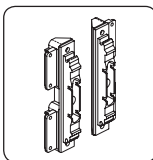


**Set includes:**

- Arm assembly mounting plate (qty 2)

### Hardware Set for Narrow Aluminum

| PRODUCT  | DESCRIPTION                  |
|----------|------------------------------|
| 20S4200A | Narrow aluminum hardware set |

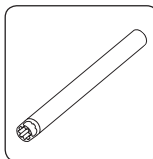


**Set includes:**

- Narrow aluminum arm assembly mounting plate (qty 2)
- Aluminum screw for narrow aluminum lever arm mounting plate (qty 8)

### Oval Stabilizer Rod

| PRODUCT   | MATERIAL | FINISH |
|-----------|----------|--------|
| 20Q1061UA | Metal    | Silver |



- Aluminum rod length 1061 (41-3/4"), cut to size
- Length = inside cabinet width minus 129 (5-1/16") for SERVO-DRIVE minus 164 (6-7/16")

NOTE: For cabinets wider than 48", a stabilizer rod connector set is required.

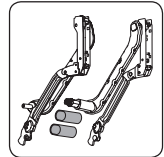
### Connecting Piece for Cross Stabiliser Pre-Mounted, Round

| PRODUCT  |
|----------|
| 20Q153ZA |



### Telescopic Arm Set (2)

| PRODUCT   |                  | DOOR HEIGHT |
|-----------|------------------|-------------|
| STANDARD  | WITH SERVO-DRIVE |             |
| 20L320006 | 21L320001        | 300-349 mm  |
| 20L350006 | 21L350001        | 350-399 mm  |
| 20L380006 | 21L380001        | 400-550 mm  |
| 20L390006 | 21L390001        | 450-580 mm  |

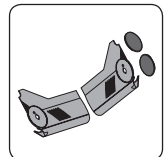


**Set includes:**

- Right and left arm assembly
- Stabilizer rod cover cap (qty 2)

### Cover Set (2)

| PRODUCT   | MATERIAL | FINISH |
|-----------|----------|--------|
| 20L8000   | Plastic  | Gray   |
| 20L800030 | Plastic  | White  |

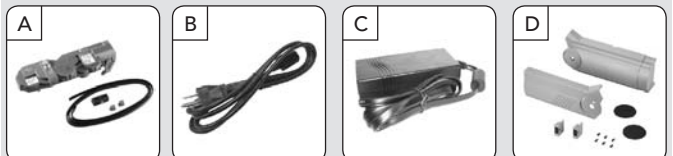


**Set includes:**

- Right and left cover
- Non-handed cover cap (qty 2)

### For SERVO-DRIVE Application

|   | PRODUCT   | DESCRIPTION                             |
|---|-----------|---|
| A | 21FA000   | SERVO-DRIVE unit                        |
| B | Z10M200U  | SERVO-DRIVE main plug – 100 to 240 volt |
| C | Z10NE030G | Transformer – 100 to 240 volt           |
| D | 21L8000   | Covers – Gray                           |
|   | 21L800030 | Covers – White                          |



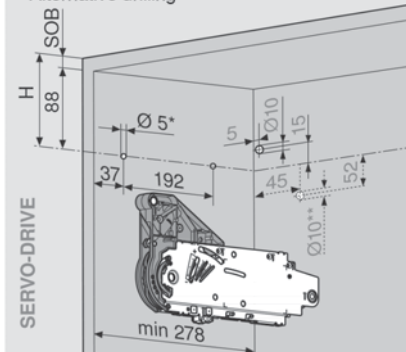
### Wooden Fronts, Wide and Narrow Aluminum Door Frames

#### Planning

##### Drilling position

\* Drilling depth 5 mm

\*\* Alternative drilling

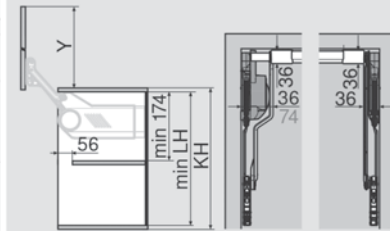


SOB Top panel thickness

5 x chipboard screws Ø 4 x 35 mm

Drilling for SERVO-DRIVE distribution cable, left only

##### Space requirement



SERVO-DRIVE

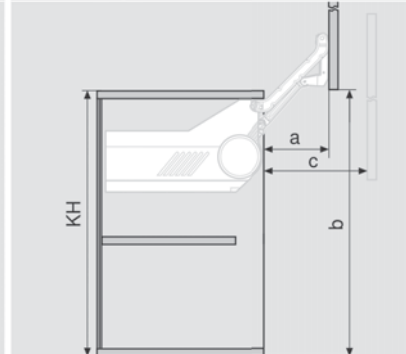
KH Cabinet height

LH Internal cabinet height

| Lever arm set |             | Min. LH (mm)* | Y (mm)* |
|---------------|-------------|---------------|---------|
| Standard      | SERVO-DRIVE |               |         |
| 20L320006     | 21L320001   | 262.0         | 264.0   |
| 20L350006     | 21L350001   | 312.0         | 352.0   |
| 20L380006     | 21L380001   | 362.0         | 440.0   |
| 20L390006     | 21L390001   | 412.0         | 529.0   |

\* Dimensions apply to lower gap = 0 mm

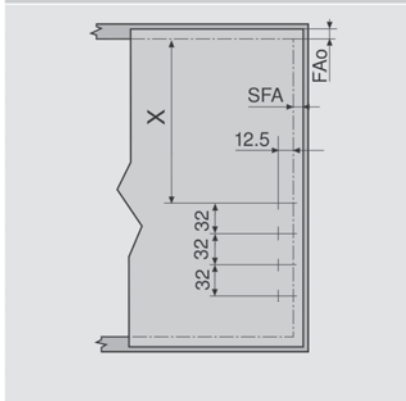
##### Front setting



| Lever arm set |             | a (mm) | b (mm)* | c max. (mm) |
|---------------|-------------|--------|---------|-------------|
| Standard      | SERVO-DRIVE |        |         |             |
| 20L320006     | 21L320001   | 114.0  | 257.0   | 159.0       |
| 20L350006     | 21L350001   | 146.0  | 345.0   | 209.0       |
| 20L380006     | 21L380001   | 178.0  | 433.0   | 259.0       |
| 20L390006     | 21L390001   | 210.0  | 522.0   | 309.5       |

\* Dimensions apply to lower gap = 0 mm

#### Front assembly – wooden fronts and wide aluminum frames

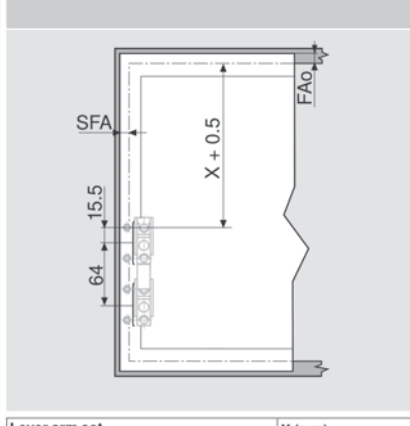


FA0 Upper front overlay

SFA Front overlay of the side panel

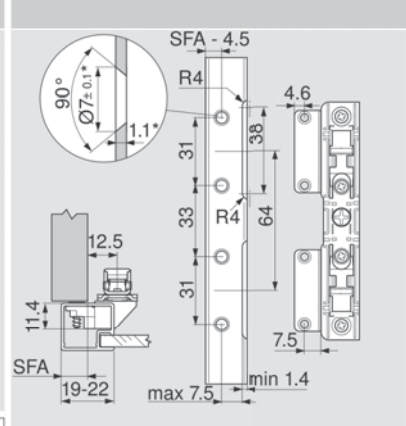
Wall application: min. gap required 5 mm

#### Front assembly – narrow aluminum frames



| Lever arm set |             | X (mm) |
|---------------|-------------|--------|
| Standard      | SERVO-DRIVE |        |
| 20L320006     | 21L320001   | 153    |
| 20L350006     | 21L350001   | 203    |
| 20L380006     | 21L380001   | 253    |
| 20L390006     | 21L390001   | 303    |

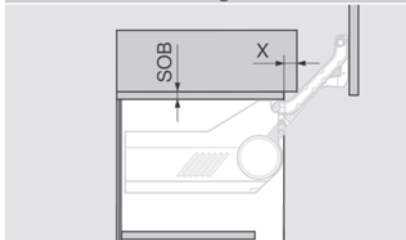
#### Planning – narrow aluminum frames



\* When changing material thickness, adjust the assembly dimensions accordingly

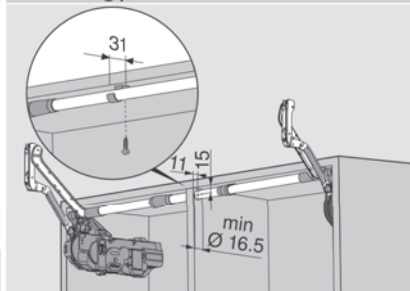
For frame width 19 mm, a side front overlay SFA of 11 - 18 mm is possible

#### Cornice/crown moulding clearance



| Top panel thickness SOB (mm) | X (mm) |
|------------------------------|--------|
| 16                           | 28     |
| 18                           | 30     |
| 19                           | 31     |

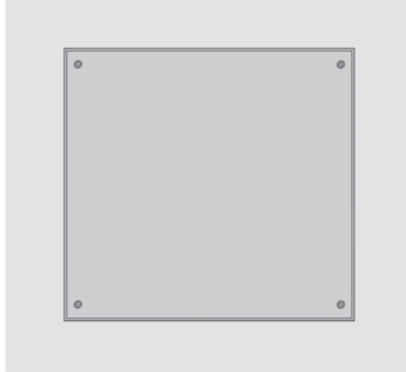
#### Connecting piece



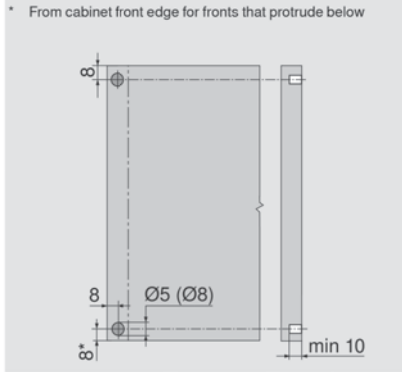
## Wooden Fronts, Wide and Narrow Aluminum Door Frames

### Planning

#### Blum distance bumper (SERVO-DRIVE application only)

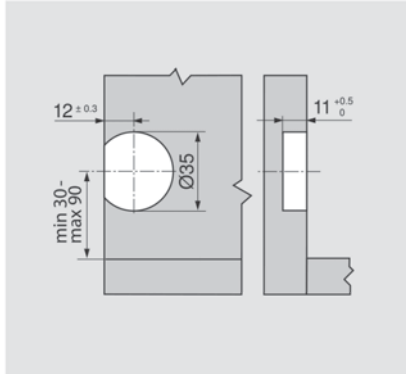


Insert Blum distance bumper (do not glue)



Recommendation for aluminium frames:  
Consider drilling for the Blum distance bumper  
in the cabinet side. A trial application must be  
carried out when fixing to the front

### SERVO-DRIVE switch





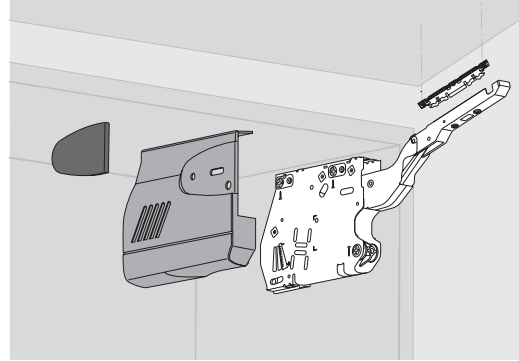
# Lift Systems

**AVENTOS HK - Standard or with SERVO-DRIVE**

**For Panel and Face Frame or for Narrow Aluminum Door Frames**

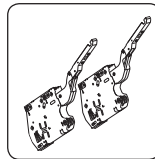


- Suited for wall cabinets and/ or above a pantry or refrigerator
- Cabinet height from 300 mm (11-13/16") to 610 mm (24")
- Cabinet width from 381 mm (15") to 1828 mm (72")
- Interior cabinet depth minimum of 210 mm (8-1/4")
- Closes silently and effortlessly with BLUMOTION
- Simple, virtually tool-free assembly and easy adjustment



**Lift Mechanism Set (2)**

| PRODUCT   | POWER FACTOR RANGE | OPENING ANGLE |
|-----------|--------------------|---------------|
| 20K2300N5 | 43 – 99            | 107°          |
| 20K2500N5 | 100 – 174          | 107°          |
| 20K2700N5 | 175 – 349          | 107°          |
| 20K2900N5 | 350 – 792          | 100°          |



- Door height: 300-600 mm
- Door length: 400-1800 mm

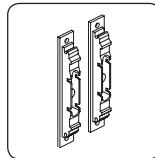
**Set includes:**

- Lift mechanism (qty 2)
- #7 x 35 mm (1-3/8") wood screw (qty 10)

NOTE: Trial application recommended when the required door weight is in a borderline area of lift mechanisms

**Hardware Set for Wood or Wide Aluminum**

| PRODUCT | DESCRIPTION                        |
|---------|------------------------------------|
| 20S4200 | Wood or wide aluminum hardware set |

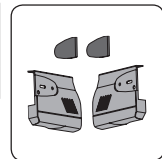


**Set includes:**

- Arm assembly mounting plate (qty 2)

**Cover Set (2)**

| PRODUCT   | MATERIAL | FINISH |
|-----------|----------|--------|
| 20K8000   | Plastic  | Gray   |
| 20K800030 | Plastic  | White  |

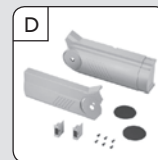
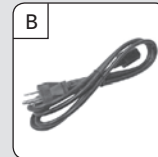
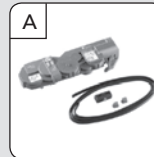


**Set includes:**

- Right and left cover
- Non-handed cover cap (qty 2)

**For SERVO-DRIVE Application**

|   | PRODUCT   | DESCRIPTION                             |
|---|-----------|---|
| A | 21KA000   | SERVO-DRIVE unit                        |
| B | Z10M200U  | SERVO-DRIVE main plug – 100 to 240 volt |
| C | Z10NE030G | Transformer – 100 to 240 volt           |
| D | 21K8000   | Covers -Gray                            |
|   | 21K800030 | Covers -White                           |



- 1 SCREWS AND FASTENERS
- 2 FURNITURE EQUIPMENT
- 3 HINGES
- 4 SLIDES
- 5 CASTERS AND LEGS
- 6 KITCHEN SOLUTIONS
- 7 CLOSET SOLUTIONS
- 8 LIGHTING SOLUTIONS
- 9 SINKS AND FAUCETS
- 10 OFFICE
- 11 SLIDING DOORS SYSTEMS
- 12 GLASS HARDWARE
- 13 PANELS AND SURFACES
- 14 EDGE-BANDING
- 15 CABINET DOORS AND DRAWERS
- 16 MOLDINGS, CORBELS AND WINE CELLARS
- 17 GLUES, SILICONES, CAULK AND INSULATING
- 18 TOOLS AND SECURITY
- 19 FINISHING PRODUCTS AND ABRASIVES
- 20 COMMERCIAL DISPLAY AND HARDWARE
- 21 BUILDERS HARDWARE

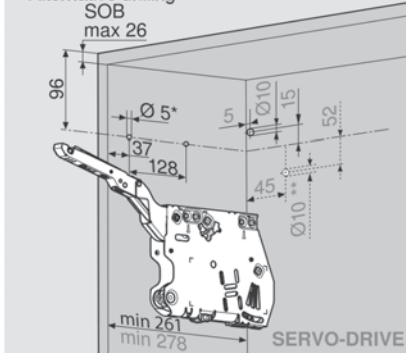
**Wooden Fronts, Wide and Narrow Aluminum Door Frames**

**Planning**

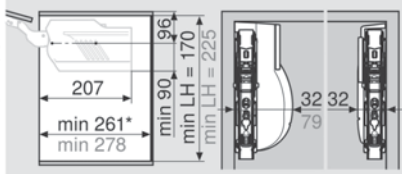
**Drilling position**

\* Drilling depth 5 mm

\*\* Alternative drilling  
SOB  
max 26



**Space requirement**

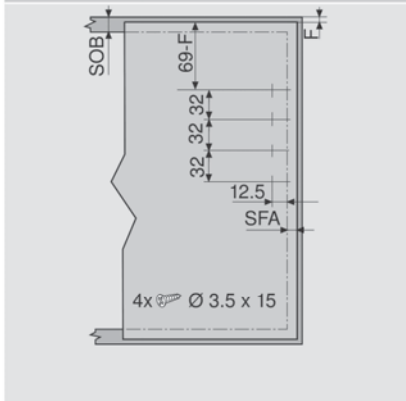


SERVO-DRIVE

SOB Top panel thickness  
3 x chipboard screws Ø 4 x 35 mm  
Drilling for SERVO-DRIVE distribution cable,  
left only

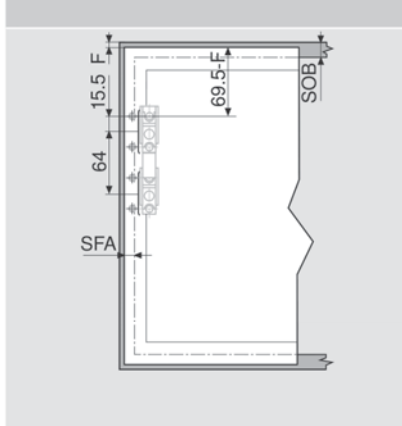
LH Internal cabinet height  
\* Min. 261 mm with visible wall hanging  
bracket

**Front assembly – wooden fronts and wide aluminum frames**



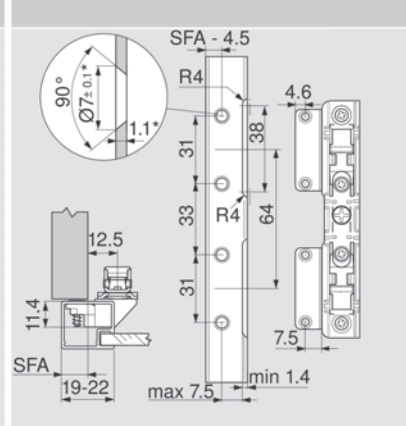
Use 4 chipboard screws (609.1x00) for wooden  
fronts. Use 4 counter sunk self tapping screws  
(660.0950) for wide alu frames

**Front assembly – narrow aluminum frames**



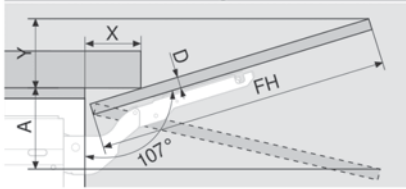
SOB Top panel thickness  
F Gap  
SFA Front overlay of the side panel

**Planning – narrow aluminum frames**



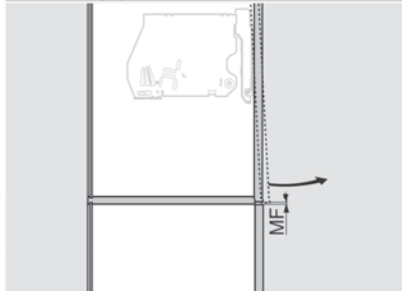
\* When changing material thickness, adjust  
the assembly dimensions accordingly  
For frame width 19 mm, a side front overlay SFA  
of 11 - 18 mm is possible

**Cornice/crown moulding clearance**



| D (mm)             | 16                     | 19 | 22 | 26 | 28 |
|--------------------|------------------------|----|----|----|----|
| X (mm)             | 70                     | 59 | 49 | 35 | 26 |
| Opening angle stop | Space requirement (mm) |    |    |    |    |
| Without            | Y = FH x 0.29 - 15 + D |    |    |    |    |
| 100°               | Y = FH x 0.17 - 15 + D |    |    |    |    |
| 75°                | A = FH x 0.26 + 15 - D |    |    |    |    |

**Minimum gap**

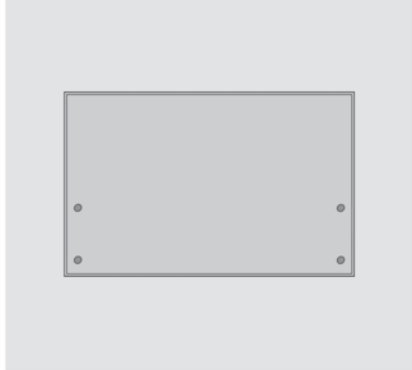


MF Minimum gap 2 mm

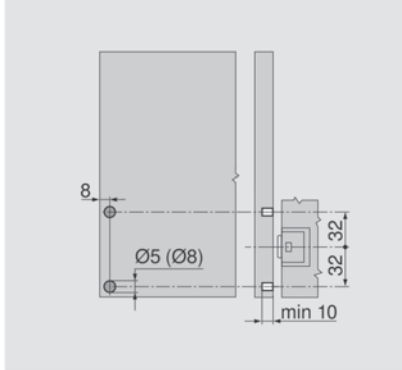
### Wooden Fronts, Wide and Narrow Aluminum Door Frames

**Planning**

**Blum distance bumper (SERVO-DRIVE application only)**



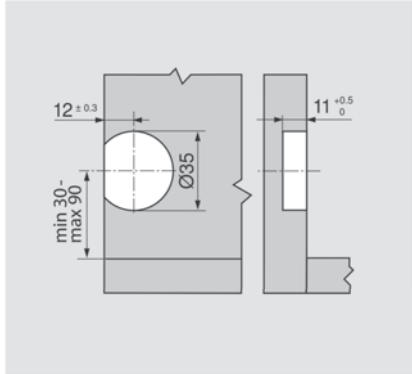
Insert Blum distance bumper (do not glue)  
Do not put a bumper on the front upper edge



Recommendation for aluminium frames:  
Consider drilling for the Blum distance bumper  
in the cabinet side. A trial application must be  
carried out when fixing to the front

In general, we recommend installing 4 Blum  
distance bumpers near to the switch.  
For certain applications (high fronts, low weight),  
2 Blum distance bumpers may sometimes be  
sufficient.  
A trial application is recommended.

**SERVO-DRIVE switch**

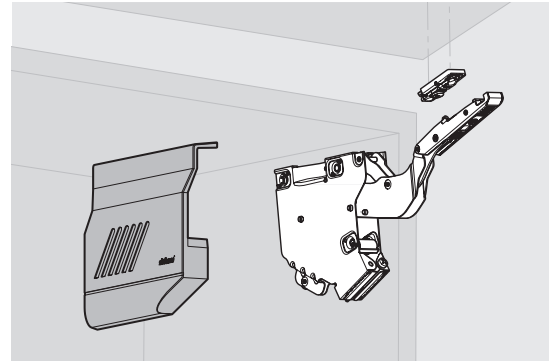


- 1 SCREWS AND FASTENERS
- 2 FURNITURE EQUIPMENT
- 3 HINGES**
- 4 SLIDES
- 5 CASTERS AND LEGS
- 6 KITCHEN SOLUTIONS
- 7 CLOSET SOLUTIONS
- 8 LIGHTING SOLUTIONS
- 9 SINKS AND FAUCETS
- 10 OFFICE
- 11 SLIDING DOORS SYSTEMS
- 12 GLASS HARDWARE
- 13 PANELS AND SURFACES
- 14 EDGE-BANDING
- 15 CABINET DOORS AND DRAWERS
- 16 MOLDINGS, CORBELS AND WINE CELLARS
- 17 GLUES, SILICONES, CAULK AND INSULATING
- 18 TOOLS AND SECURITY
- 19 FINISHING PRODUCTS AND ABRASIVES
- 20 COMMERCIAL DISPLAY AND HARDWARE
- 21 BUILDERS HARDWARE

**For Panel and Face Frame or for Narrow Aluminum Door Frames**

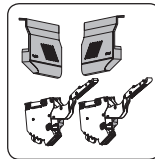


- Suited for small wall cabinets and/ or above a pantry or refrigerator
- For both panel and face frame applications
- Cabinet height from 186 mm (7-3/8") to 610 mm (24")\*
- Cabinet width from 381 mm (15") to 1828 mm (72")\*
- Interior cabinet depth minimum of 165 mm (6-1/2")
- Closes silently and effortlessly with BLUMOTION
- Simple, virtually tool-free assembly and easy adjustment



**Lift Mechanism Set (2)**

| PRODUCT   | FINISH | POWER FACTOR RANGE | OPENING ANGLE |
|-----------|--------|--------------------|---------------|
| 20K2B00   | Gray   | 19 – 39            | 107°          |
| 20K2B0030 | White  | 19 – 39            | 107°          |
| 20K2C00   | Gray   | 40 – 85            | 107°          |
| 20K2C0030 | White  | 40 – 85            | 107°          |
| 20K2E00   | Gray   | 86 – 177           | 107°          |
| 20K2E0030 | White  | 86 – 177           | 107°          |



- Door height: 182-400 mm
- Door length: 400-1800 mm

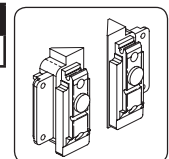
**Set includes:**

- Lift mechanism (qty 2)
- #7 x 35 mm (1-3/8") wood screw (qty 10)

NOTE: Trial application recommended when the required door weight is in a borderline area of lift mechanisms

**Hardware Set for Narrow Aluminum**

| PRODUCT  | DESCRIPTION                  |
|----------|------------------------------|
| 20K4A00A | Narrow aluminum hardware set |



**Set includes:**

- Narrow aluminum arm assembly mounting plate (qty 2)
- Aluminum screw for mounting plate attachment (qty 4)

**Hardware Set for Wood or Wide Aluminum**

| PRODUCT    | DESCRIPTION                          |
|------------|--------------------------------------|
| 175H310180 | Wood or wide aluminum mounting plate |



**Set includes:**

- Wood or wide aluminum arm assembly mounting plate (qty 2)

**Wooden Fronts, Wide and Narrow Aluminum Door Frames**

**Planning**

| Peg position                   | Fixing position                         | Space requirement                                      |
|--------------------------------|---|--|
| <p>SOB Top panel thickness</p> | <p>3 x chipboard screws Ø 4 x 35 mm</p> | <p>* Min. 240 mm with visible wall hanging bracket</p> |

| Front assembly – wooden fronts and wide aluminum frames   | Front assembly – narrow aluminum frames  | Planning – narrow aluminum frames   |
|---|--|---|
| <p>Use 2 chipboard screws (609.1x00) for wooden fronts. Use 2 counter sunk self tapping screws (660.0950) for wide alu frames</p> | <p>SOB Top panel thickness<br/>                     F Gap<br/>                     SFA Front overlay of the side panel</p> | <p>* When changing material thickness, adjust the assembly dimensions accordingly</p> |

**Cornice/crown moulding clearance**

|                    |                        |    |    |    |   |
|--------------------|------------------------|----|----|----|---|
| D (mm)             | 16                     | 19 | 22 | 26 | - |
| X (mm)             | 70                     | 59 | 49 | 35 | - |
| Opening angle stop | Space requirement (mm) |    |    |    |   |
| Without            | Y = FH x 0.29 - 15 + D |    |    |    |   |
| 100°               | Y = FH x 0.17 - 15 + D |    |    |    |   |
| 75°                | A = FH x 0.26 + 15 - D |    |    |    |   |

**Minimum gap**

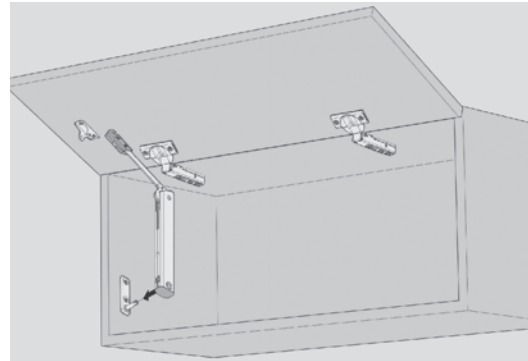
MF Minimum gap 2 mm

- 1 SCREWS AND FASTENERS
- 2 FURNITURE EQUIPMENT
- 3 HINGES
- 4 SLIDES
- 5 CASTERS AND LEGS
- 6 KITCHEN SOLUTIONS
- 7 CLOSET SOLUTIONS
- 8 LIGHTING SOLUTIONS
- 9 SINKS AND FAUCETS
- 10 OFFICE
- 11 SLIDING DOORS SYSTEMS
- 12 GLASS HARDWARE
- 13 PANELS AND SURFACES
- 14 EDGE-BANDING
- 15 CABINET DOORS AND DRAWERS
- 16 MOLDINGS, CORBELS AND WINE CELLARS
- 17 GLUES, SILICONES, CAULK AND INSULATING
- 18 TOOLS AND SECURITY
- 19 FINISHING PRODUCTS AND ABRASIVES
- 20 COMMERCIAL DISPLAY AND HARDWARE
- 21 BUILDERS HARDWARE

**For Panel and Face Frame or Narrow Aluminum Door Frames**

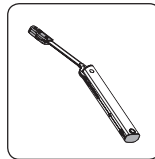


- Well suited for small wall cabinets
- Cabinet height from 238 mm (9-3/8") to 610 mm (24")
- Cabinet widths up to 1828 mm (72")\*
- Interior depth minimum 127 mm (5")
- Closes silently and effortlessly with CLIP top BLUMOTION
- Simple, virtually tool-free assembly and easy adjustment
- Symmetrical lift mechanism – can be used on one or both sides
- Designed for use with BLUMOTION hinges



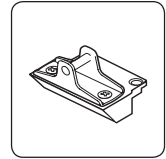
**Lift Mechanism Set**

| PRODUCT | POWER FACTOR RANGE |
|---------|--------------------|
| 20K1101 | 200 – 1000         |
| 20K1301 | 500 – 1500         |
| 20K1501 | 800 – 1800         |



**Front Fixing Bracket for Narrow Aluminum**

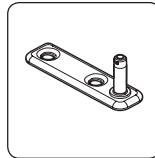
| PRODUCT  | FIXING   |
|----------|----------|
| 20K4101A | Screw-on |



**Cabinet Mounting Plate**

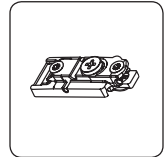
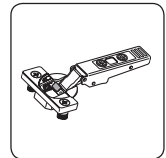
For panel

| PRODUCT | FIXING   |
|---------|----------|
| 20K5101 | Screw-on |
| 20K51E1 | EXPANDO  |



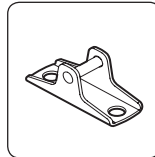
**Hinge Recommendations for Panel and Face Frame**

| PRODUCT     | DESCRIPTION                              |
|-------------|--|
| 71B355180   | 110° Screw-on with insertion Ram only    |
| 71B358180   | 110° Knock-in with insertion Ram only    |
| 175H310E180 | Mounting plate EXPANDO                   |
| 175H310180  | Horizontal Cam Mounting Plate (Screw-On) |



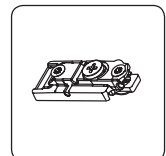
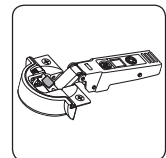
**Door Mounting Plate**

| PRODUCT | FIXING   |
|---------|----------|
| 20K4101 | Screw-on |



**Hinge Recommendations for Narrow Aluminum**

| PRODUCT     | DESCRIPTION                           |
|-------------|---------------------------------------|
| 71B950180   | CLIP top BLUMOTION 95° Screw-on       |
| 175H310E180 | Horizontal Cam mounting plate EXPANDO |





**Aerobus Lift-Up System**



Aero application confers a linear and high-end visual appeal to the furniture with a natural and impressive door movement.

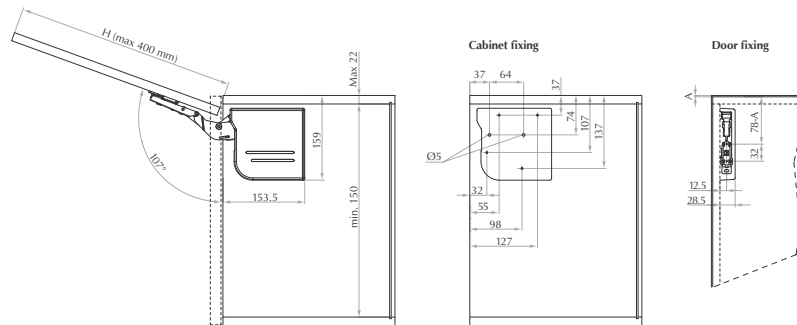
- Linear minimalistic design
- Full access in one movement
- Elegant movement
- Upward operation
- Easy and rapid assembly with click-on door fixing
- No hinges required
- No stabilization bar required
- Door and weight adjustments
- SlowMotion technology for controlled and silent closing

**Included Product(s)**

- 2 symmetrical and damped mechanisms
- 2 covers, right and left
- 2 click mounting plates
- 6 self-tapping screws, 4 x 15 mm
- 8 self-tapping screws, 4 x 35 mm
- Assembly instructions



| PRODUCT   | CAPACITY FOR DOOR HEIGHT         | MAX WEIGHT FOR DOOR HEIGHT         |                                    |                                    | QTY/BOX |
|-----------|----------------------------------|------------------------------------|------------------------------------|------------------------------------|---------|
|           |                                  | 250 mm                             | 300 mm                             | 400 mm                             |         |
| 590940100 | 11.7 to 27.1 lb (5.3 to 12.3 kg) | 8.38 to 19.6 lb<br>(3.8 to 8.9 kg) | 7.05 to 16.3 lb<br>(3.2 to 7.4 kg) | 5.29 to 12.1 lb<br>(2.4 to 5.5 kg) | 1       |
| 590920100 | 4.85 to 12.1 lb (2.2 to 5.5 kg)  | 3.53 to 8.82 lb<br>(1.6 to 4 kg)   | 2.87 to 7.72 lb<br>(1.3 to 3.5 kg) | 2.2 to 5.51 lb<br>(1 to 2.5 kg)    | 1       |



- 1 SCREWS AND FASTENERS
- 2 FURNITURE EQUIPMENT
- 3 HINGES
- 4 SLIDES
- 5 CASTERS AND LEGS
- 6 KITCHEN SOLUTIONS
- 7 CLOSET SOLUTIONS
- 8 LIGHTING SOLUTIONS
- 9 SINKS AND FAUCETS
- 10 OFFICE
- 11 SLIDING DOORS SYSTEMS
- 12 GLASS HARDWARE
- 13 PANELS AND SURFACES
- 14 EDGE-BANDING
- 15 CABINET DOORS AND DRAWERS
- 16 MOLDINGS, CORBELS AND WINE CELLARS
- 17 GLUES, SILICONES, CAULK AND INSULATING
- 18 TOOLS AND SECURITY
- 19 FINISHING PRODUCTS AND ABRASIVES
- 20 COMMERCIAL DISPLAY AND HARDWARE
- 21 BUILDERS HARDWARE

**Lift System for Retractable Door**



Lift for vertically retractable door. Sleek, compact design.

- Installs easily
- Adjustable arm mounting plate
- Smooth and quiet movement
- No forward projection, making cabinet accessible without the need to go around the door
- Mechanism makes it easy to lift doors and holds them in the open position
- For use in areas where space is limited
- Finish: Nickel
- Material: Metal

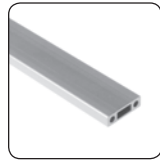


| PRODUCT | CAPACITY      | DOOR HEIGHT                                  | DOOR LENGTH                               | DOOR WEIGHT                      |
|---------|---------------|--|---|----------------------------------|
| 8054652 | 4.6 to 5.2 kg | 15-11/32" to 17-23/32"<br>(390 mm to 450 mm) | 23-5/8" to 35-7/16"<br>(600 mm to 900 mm) | 6.2 - 8.4 lb<br>(2.8 - 3.8 kg)   |
| 8032535 | 2.5 to 3.5 kg | 15-11/32" to 17 23/32"<br>(390 mm to 450 mm) | 23-5/8" to 35-7/16"<br>(600 mm to 900 mm) | 8.4 - 10.6 lb<br>(3.8 - 4.8 kg)  |
| 8043645 | 3.6 to 4.5 kg | 15-11/32" to 17 23/32"<br>(390 mm to 450 mm) | 23-5/8" to 35-7/16"<br>(600 mm to 900 mm) | 10.6 - 12.8 lb<br>(4.8 - 5.8 kg) |

Suggested Product(s):

**Connection Bar**

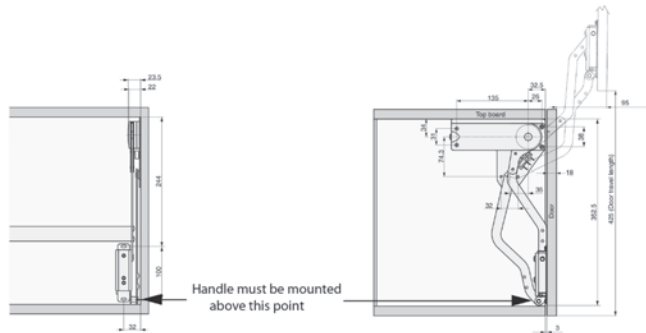
| PRODUCT |
|---------|
| 06835   |



**Space Requirements and Installation Specifications**

**Important Notice regarding handle position**

The pull handle mounted on the SLUN door must be positioned above the bottom pivot of the mounting plate on the door. See illustration below. The door may not open, or may experience difficulty opening the door if the handle position is below this point.



**FREEfold Opening System**



The intelligent Freefold lifter saves space by folding the front panel as it lifts up. Its a convenient solution for wall units with large, heavy front panels, or that vary in height and rooms with low-ceilings. The integrated multi-position-stop guarantees the front will stop immediately and securely in any position. Stylish solution for tall wall units.

- Minimum installation depth (118 mm)
- Generates 27 kg lift force
- 90° & 107° opening angles
- Soft and fluid movement
- Multi-position stop
- Compact design, easy assembly
- Support for aluminum frame sold separately

**Included Product(s)**

- 2 Freefold fittings (right and left)
- 2 Door connecting plates
- Drilling pattern

**Important Information(s)**

- Front-panel weight including handle
- 110° Hinges, full overlay and mounting plates sold separately



| PRODUCT | CAPACITY       | DOOR HEIGHT   |
|---------|----------------|---------------|
| 2718660 | 4.8 to 9.8 kg  | 520 to 590 mm |
| 2718710 | 6 to 12.2 kg   | 580 to 650 mm |
| 2718740 | 3.9 to 7.9 kg  | 650 to 730 mm |
| 2718920 | 6.8 to 13.5 kg | 910 to 970 mm |
| 2718750 | 5.8 to 11.6 kg | 650 to 730 mm |
| 2718760 | 9.5 to 18.7 kg | 650 to 730 mm |
| 2718780 | 3.5 to 7.2 kg  | 710 to 790 mm |
| 2718790 | 5.2 to 10.3 kg | 710 to 790 mm |
| 2718800 | 8.7 to 17.2 kg | 710 to 790 mm |
| 2718830 | 4.9 to 9.8 kg  | 770 to 840 mm |
| 2718840 | 8 to 15.5 kg   | 770 to 840 mm |
| 2718880 | 7.3 to 14.6 kg | 840 to 910 mm |

Required Product(s):

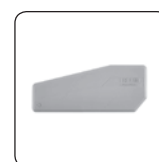
**Middle Hinges for FREEfold Opening System**

| PRODUCT | FIXATION TYPE |
|---------|---------------|
| 2715580 | Euro Screw    |
| 2715590 | Wood Screw    |



**Cover Cap for FREEfold Opening System**

| PRODUCT    | FINISH |
|------------|--------|
| 2717867100 | Gray   |
| 271786930  | White  |



Suggested Product(s):

**Adapter for 20 mm Aluminum Frame**

| PRODUCT | FIXATION TYPE |
|---------|---------------|
| 2718510 | Wood Screw    |



**Freelift Drilling Template**

| PRODUCT   |
|-----------|
| 271987100 |



- 1 SCREWS AND FASTENERS
- 2 FURNITURE EQUIPMENT
- 3 HINGES
- 4 SLIDES
- 5 CASTERS AND LEGS
- 6 KITCHEN SOLUTIONS
- 7 CLOSET SOLUTIONS
- 8 LIGHTING SOLUTIONS
- 9 SINKS AND FAUCETS
- 10 OFFICE
- 11 SLIDING DOORS SYSTEMS
- 12 GLASS HARDWARE
- 13 PANELS AND SURFACES
- 14 EDGE-BANDING
- 15 CABINET DOORS AND DRAWERS
- 16 MOLDINGS, CORBELS AND WINE CELLARS
- 17 GLUES, SILICONES, CAULK AND INSULATING
- 18 TOOLS AND SECURITY
- 19 FINISHING PRODUCTS AND ABRASIVES
- 20 COMMERCIAL DISPLAY AND HARDWARE
- 21 BUILDERS HARDWARE

**FREEswing Opening System**



FREEswing lifts medium and large fronts elegantly and effortlessly. Whatever the size of the front, FREEswing will maximize available storage space and allow free access to all contents. FREEswing lifters naturally also feature multi-position-stop. With their compact design and strong performance, FREEswing lifters are perfect for a range of applications in kitchens, bathrooms, and other living spaces.

- Impressive range of applications for medium and large fronts
- Effortless movement
- Optimal access to the entire storage space
- Soft and fluid movement sequences
- Multi-position stop
- Compact design, easy assembly

**Included Product(s)**

- 2 FREEswing fittings (right and left)
- 2 door connecting plates
- 2 sleeves
- Drilling pattern

**Important Information(s)**

- Front weight including handle
- Support for aluminum frame sold separately



**Max Weight for Door Height**

| PRODUCT | 370 MM        | 400 MM        | 450 MM        | 500 MM        | 550 MM        | 600 MM        | 670 MM         | 700 MM         | 750 MM       | 800 MM       |
|---------|---------------|---------------|---------------|---------------|---------------|---------------|----------------|----------------|--------------|--------------|
| 2719280 | -             | -             | -             | -             | -             | -             | 5.7 to 11.3 kg | -              | -            | -            |
| 2719270 | -             | -             | -             | 5 to 10 kg    | 4.8 to 9.6 kg | 4.7 to 9.3 kg | -              | -              | -            | -            |
| 2719260 | 3.4 to 6.5 kg | 3.3 to 6.3 kg | 3.2 to 6.1 kg | 3 to 5.8 kg   | -             | -             | -              | -              | -            | -            |
| 2719240 | -             | -             | -             | 2.5 to 5.9 kg | 2.5 to 5.6 kg | 2.5 to 5.3 kg | -              | -              | -            | -            |
| 2719310 | -             | -             | -             | -             | -             | -             | 8.5 to 17.1 kg | 8.4 to 16.7 kg | 8.2 to 16 kg | 8.2 to 16 kg |

Required Product(s):

**FREEswing Mechanism Cover**

| PRODUCT    | FINISH |
|------------|--------|
| 2718207100 | Gray   |
| 271820930  | White  |



**Torsion Bars for FREEslide and FREEswing**

| PRODUCT |
|---------|
| 2718540 |
| 2719180 |
| 2719190 |
| 2719200 |
| 2719210 |
| 2719220 |



Suggested Product(s):

**FREElift Drilling Template**

| PRODUCT   | SYSTEM TYPE |
|-----------|-------------|
| 271988100 | FreeSwing   |



**Adapter for 20 mm Aluminum Frame**

| PRODUCT |
|---------|
| 2716870 |



**FREEslide Opening System**



With the FREEslide model, the front panel lifts vertically, opening up new possibilities for kitchen planning and design. FREEslide is the perfect option for stacked units and wall units with top lighting or cornices. The integrated multi-position-stop ensures the front panel can be stopped immediately and securely in any position.

- For highboards and appliance cupboards, for example microwave cupboards
- Precision lift for the front parallel to the door of the carcass
- Ideal for kitchen, bathroom and living-area applications
- Full access to contents
- Soft and fluid operation
- Multi-position stop

**Included Product(s)**

- 2 FreeSlide fittings (right and left)
- 2 door connecting plates
- 2 sleeves
- Drilling pattern

**Important Information(s)**

- Front-panel weight including handle
- Support for aluminum frame sold separately



| PRODUCT | CAPACITY      | DOOR HEIGHT   | INTERNAL HEIGHT |
|---------|---------------|---------------|-----------------|
| 2719090 | 3.4 to 6.7 kg | 380 to 500 mm | ≥ 343 mm        |
| 2719130 | 2.6 to 5.5 kg | 430 to 600 mm | ≥ 388 mm        |
| 2719040 | 2.4 to 4.8 kg | 345 to 420 mm | ≥ 308 mm        |
| 2719016 | 3 to 5.7 kg   | 320 to 360 mm | ≥ 280 mm        |
| 2719060 | 7.4 to 14 kg  | 345 to 420 mm | ≥ 308 mm        |
| 2719140 | 5 to 9.7 kg   | 430 to 600 mm | ≥ 388 mm        |
| 2719050 | 4.1 to 8 kg   | 345 to 420 mm | ≥ 308 mm        |

Required Product(s):

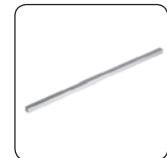
**Cover Caps for FREEslide Opening System**

| PRODUCT    | FINISH |
|------------|--------|
| 2718107100 | Gray   |
| 271810930  | White  |



**Torsion Bars for FREEslide and FREEswing**

| PRODUCT |
|---------|
| 2718540 |
| 2719180 |
| 2719190 |
| 2719200 |
| 2719210 |
| 2719220 |



Suggested Product(s):

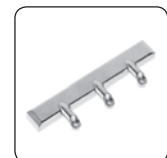
**FREElift Drilling Template**

| PRODUCT   | SYSTEM TYPE |
|-----------|-------------|
| 271989100 | FreeSlide   |



**Adapter for 20 mm Aluminum Frame**

| PRODUCT |
|---------|
| 2716870 |



- 1 SCREWS AND FASTENERS
- 2 FURNITURE EQUIPMENT
- 3 HINGES
- 4 SLIDES
- 5 CASTERS AND LEGS
- 6 KITCHEN SOLUTIONS
- 7 CLOSET SOLUTIONS
- 8 LIGHTING SOLUTIONS
- 9 SINKS AND FAUCETS
- 10 OFFICE
- 11 SLIDING DOORS SYSTEMS
- 12 GLASS HARDWARE
- 13 PANELS AND SURFACES
- 14 EDGE-BANDING
- 15 CABINET DOORS AND DRAWERS
- 16 MOLDINGS, CORBELS AND WINE CELLARS
- 17 GLUES, SILICONES, CAULK AND INSULATING
- 18 TOOLS AND SECURITY
- 19 FINISHING PRODUCTS AND ABRASIVES
- 20 COMMERCIAL DISPLAY AND HARDWARE
- 21 BUILDERS HARDWARE

**FREEflap Mini Opening System**



Practical, balanced and compact. FREEflap Mini is the little "toughie" in the lifter family. The integrated multi-position-stop ensures the front will stop securely in any position.

- Minimum installation depth (118 mm)
- Lifting force up to 14.7 kg
- 107° opening angles
- Soft and fluid movement
- Multi-position stop

**Included Product(s)**

- 2 Freeflap mini fittings (right and left)
- 2 Dress caps for fittings (right and left)
- 2 Door connector plates
- Drilling template



**Max Weight for Door Height**

| PRODUCT    | FINISH | < OR = 200 MM  | < OR = TO 225 MM | < OR = TO 250 MM | < OR = TO 275 MM | < OR = TO 300 MM |
|------------|--------|----------------|------------------|------------------|------------------|------------------|
| 2716617100 | Gray   | 1.7 to 4.6 kg  | (1.5 to 4.1 kg)  | 1.5 to 4.1 kg    | 1.2 to 3.3 kg    | 1.1 to 3.1 kg    |
| 2716627100 | Gray   | 3.7 to 7.9 kg  | 3.1 to 7.1 kg    | 2.9 to 6.4 kg    | 2.5 to 5.7 kg    | 2.4 to 5.1 kg    |
| 2716637100 | Gray   | 6.8 to 14.7 kg | 6 to 13.1 kg     | 5.4 to 11.8 kg   | 4.8 to 10.6 kg   | 4.4 to 9.6 kg    |
| 271661930  | White  | 1.7 to 4.6 kg  | 1.5 to 4.1 kg    | 1.5 to 4.1 kg    | 1.2 to 3.3 kg    | 1.1 to 3.1 kg    |
| 271662930  | White  | 3.7 to 7.9 kg  | 3.1 to 7.1 kg    | 2.9 to 6.4 kg    | 2.5 to 5.7 kg    | 2.4 to 5.1 kg    |
| 271663930  | White  | 6.8 to 14.7 kg | 6 to 13.1 kg     | 5.4 to 11.8 kg   | 4.8 to 10.6 kg   | 4.4 to 9.6 kg    |

**Important Information(s)**

- Total opening angle: 107°

**Suggested Product(s):**

**Freelift Drilling Template**

| PRODUCT   | SYSTEM TYPE |
|-----------|-------------|
| 271990100 | FREEflap    |



**Adapter for 20 mm Aluminum Frame**

| PRODUCT |
|---------|
| 2716870 |



**90° Angle Limiter for FREEflap Mini**

| PRODUCT |
|---------|
| 2716887 |





**FREElight**



The new FREElight is a versatile lifter that can be used together with widely available flap or door hinges. It combines an attractive price with a flexible range of applications. A FREElight is capable of lifting and lowering front panels on wall units and other high units. The front panels can weigh up to 5.5 kg and be 400 mm high. The FREElight has a wide range of applications – from kitchens to living rooms.

- Simple, tried, and tested technology
- High-quality appearance
- Simple assembly
- Flexible opportunities for use
- Can be installed on right or left

**Included Product(s)**

- One FREElight fitting
- One dress cap, right
- One dress cap, left
- One front connector (for wood or euro screws)
- One carcass connector (for wood or euro screws)
- One adjustment key



**Max Weight for Door Height**

| PRODUCT   | FINISH | LOAD CAPACITY | QTY/BOX |
|-----------|--------|---------------|---------|
| 27203330  | White  | 1.2 to 4.3 kg | 1       |
| 272033100 | Gray   | 1.2 to 4.3 kg | 1       |
| 27203230  | White  | 0.7 to 2.8 kg | 1       |
| 272032100 | Gray   | 0.7 to 2.8 kg | 1       |
| 272035100 | Gray   | 2.2 to 7.1 kg | 1       |
| 27203530  | White  | 2.2 to 7.1 kg | 1       |
| 27203430  | White  | 0.7 to 2.8 kg | 1       |
| 272034100 | Gray   | 0.7 to 2.8 kg | 1       |

**1**  
SCREWS  
AND  
FASTENERS

**2**  
FURNITURE  
EQUIPMENT

**3**  
HINGES

**4**  
SLIDES

**5**  
CASTERS  
AND LEGS

**6**  
KITCHEN  
SOLUTIONS

**7**  
CLOSET  
SOLUTIONS

**8**  
LIGHTING  
SOLUTIONS

**9**  
SINKS  
AND  
FAUCETS

**10**  
OFFICE

**11**  
SLIDING  
DOORS  
SYSTEMS

**12**  
GLASS  
HARDWARE

**13**  
PANELS  
AND  
SURFACES

**14**  
EDGE-  
BANDING

**15**  
CABINET  
DOORS  
AND  
DRAWERS

**16**  
MOLDINGS,  
CORBELS  
AND WINE  
CELLARS

**17**  
GLUES,  
SILICONES,  
CAULK AND  
INSULATING

**18**  
TOOLS  
AND  
SECURITY

**19**  
FINISHING  
PRODUCTS  
AND  
ABRASIVES

**20**  
COMMERCIAL  
DISPLAY AND  
HARDWARE

**21**  
BUILDERS  
HARDWARE

**FREEflap Forte Opening System**



Practical, balanced and compact, FREEflap is the "little toughie" in the lifter family. The integrated multi-position-stop guarantees that the front will stop securely in any position. Full extension drawer system with BLUMOTION.

- Minimum installation depth (118 mm)
- Generates 27 kg lift force
- 90° & 107° opening angles
- Soft and fluid movement
- Multi-position stop
- Compact design, easy assembly
- Support for aluminum frame sold separately.



**Included Product(s)**

- 2 Freeflap forte fittings (right and left)
- 2 Dress caps for fittings (right and left)
- 2 Door connector plates
- Drilling template

**Max Weight for Door Height**

| PRODUCT    | FINISH | > OR = TO 350 MM | < OR = TO 375 MM | < OR = TO 400 MM | < OR = TO 425 MM | < OR = TO 450 MM |
|------------|--------|------------------|------------------|------------------|------------------|------------------|
| 2716647100 | Gray   | 5.2 to 11 kg     | 4.9 to 10.2 kg   | 4.7 to 9.6 kg    | 4.4 to 9 kg      | 4.1 to 8.4 kg    |
| 2716657100 | Gray   | 6.7 to 14.3 kg   | 6.3 to 13.1 kg   | 5.9 to 12.4 kg   | 5.6 to 11.6 kg   | 5.6 to 11.6 kg   |
| 2716667100 | Gray   | 10.1 to 21.4 kg  | 10.1 to 21.4 kg  | 8.9 to 18.6 kg   | 8.3 to 17.4 kg   | 7.8 to 16.3 kg   |
| 2716677100 | Gray   | 13.5 to 27.3 kg  | 12.5 to 25.2 kg  | 11.8 to 23.3 kg  | 11 to 21.8 kg    | 10.4 to 20.5 kg  |
| 271664930  | White  | 5.2 to 11 kg     | 4.9 to 10.2 kg   | 4.7 to 9.6 kg    | 4.4 to 9 kg      | 4.1 to 8.4 kg    |
| 271665930  | White  | 6.7 to 14.3 kg   | 6.3 to 13.1 kg   | 5.9 to 12.4 kg   | 5.6 to 11.6 kg   | 5.6 to 11.6 kg   |
| 271666930  | White  | 10.1 to 21.4 kg  | 10.1 to 21.4 kg  | 8.9 to 18.6 kg   | 8.3 to 17.4 kg   | 7.8 to 16.3 kg   |
| 271667930  | White  | 13.5 to 27.3 kg  | 12.5 to 25.2 kg  | 11.8 to 23.3 kg  | 11 to 21.8 kg    | 10.4 to 20.5 kg  |

**Important Information(s)**

- Total opening angle: 107°
- 90° opening angle limiter integrated into the fitting
- Support for aluminum frame sold separately

**Suggested Product(s):**

**Freelift Drilling Template**

| PRODUCT   | SYSTEM TYPE |
|-----------|-------------|
| 271990100 | FREEflap    |



**Adapter for 20 mm Aluminum Frame**

| PRODUCT |
|---------|
| 2716870 |



**Vertical Door Lift**



- Suitable for small to medium doors
- No hinges
- Adjustable for height, side, depth, and weight capacity
- Soft-closing device with adjustable end stop
- Touch control
- Narrow required depth
- Easy mounting



| PRODUCT   | FINISH | CAPACITY     | DOOR HEIGHT                          |
|-----------|--------|--------------|--------------------------------------|
| 368544106 | Silver | 6 to 14.5 kg | 22-29/32 to 27-3/32" (582 to 688 mm) |
| 368543106 | Silver | 3.5 to 10 kg | 22-29/32 to 27-3/32" (582 to 688 mm) |

Required Product(s):

**Connection Bar - 1,070 mm for Systems  
 3684-XX and 3685-XX**

| PRODUCT   | SYSTEM TYPE |
|-----------|-------------|
| 368517106 | Strato      |



- 1 SCREWS AND FASTENERS
- 2 FURNITURE EQUIPMENT
- 3 HINGES
- 4 SLIDES
- 5 CASTERS AND LEGS
- 6 KITCHEN SOLUTIONS
- 7 CLOSET SOLUTIONS
- 8 LIGHTING SOLUTIONS
- 9 SINKS AND FAUCETS
- 10 OFFICE
- 11 SLIDING DOORS SYSTEMS
- 12 GLASS HARDWARE
- 13 PANELS AND SURFACES
- 14 EDGE-BANDING
- 15 CABINET DOORS AND DRAWERS
- 16 MOLDINGS, CORBELS AND WINE CELLARS
- 17 GLUES, SILICONES, CAULK AND INSULATING
- 18 TOOLS AND SECURITY
- 19 FINISHING PRODUCTS AND ABRASIVES
- 20 COMMERCIAL DISPLAY AND HARDWARE
- 21 BUILDERS HARDWARE

**Bi-Fold Door System**



- Finger protection system
- Full opening for complete access
- Flexible and adaptable to user's requirements
- Soft-closing
- Silent, smooth-moving, and stable
- Fully ergonomic system
- Compact and space-saving
- Includes one pair of central hinges (sold separately, if required, as 349511106)
- Material: Metal
- Finish: Silver

Note: Top hinges are not included and must be ordered separately.



| PRODUCT   | CAPACITY   | DOOR HEIGHT                        |
|-----------|------------|------------------------------------|
| 367463106 | 5 to 12 kg | 33-1/8" to 35-3/8" (840 to 900 mm) |
| 367412106 | 6 to 11 kg | 22-7/8" to 25-1/4" (580 to 640 mm) |
| 367411106 | 3 to 6 kg  | 22-7/8" to 25-1/4" (580 to 640 mm) |
| 367424106 | 9 to 20 kg | 27-1/2" to 30-3/4" (700 to 780 mm) |
| 367422106 | 5 to 9 kg  | 27-1/2" to 30-3/4" (700 to 780 mm) |

Suggested Product(s):

**Clip Top Hinge - 107°**

| PRODUCT   | FIXING TYPE |
|-----------|-------------|
| 75T155180 | Screw-On    |



**Cam Mounting Plate**

| PRODUCT    |
|------------|
| 173H710180 |



**Up-and-Over Door Lift**



- No hinges
- Can be adjusted for height, side, depth, and load capacity
- Soft-closing device with adjustable end stop
- Touch control
- Efficient and secure opening at any position



| PRODUCT   | FINISH | SYSTEM TYPE | CAPACITY   | DOOR HEIGHT   |
|-----------|--------|-------------|------------|---------------|
| 368413106 | Grey   | Verso       | 5 to 10 kg | 452 to 838 mm |

Suggested Product(s):

**Aluminum Frame Mounting Bracket for Up-and-Over and Vertical Door Lifts**

| PRODUCT   |
|-----------|
| 368411006 |



**Connection Bar - 1,070 mm for Systems 3684-XX and 3685-XX**

| PRODUCT   | SYSTEM TYPE |
|-----------|-------------|
| 368517106 | Strato      |



I Hinges I  
**CLIP and CLIP top Hinges**  
 Index Page Products

| Page      | Products   | Page      | Products   |
|-----------|--|-----------|--|
| 3B2       | BLUMOTION FOR DOORS «OVERVIEW»                     | 3B30      | CLIP top THICK DOOR 95°                                |
| 3B3       | BLUMOTION FOR DOORS «APPLICATION CHART»            | 3B31      | CLIP top ALUMINUM DOOR 120°                            |
| 3B4       | BLUMOTION 973A FOR DOORS                           | 3B32      | CLIP top INSET BLIND CORNER 95°                        |
| 3B5       | BLUMOTION 971A FOR DOORS                           | 3B33      | CLIP top OVERLAY BLIND CORNER 95°                      |
| 3B6-3B8   | BLUMOTION 970A, 970 FOR DOORS AND ADAPTER PLATES   | 3B34      | SCREW-ON HINGE - 95° for ALUMINUM DOORS - SELF-CLOSING |
| 3B8-3B9   | BLUMOTION ADAPTER PLATES AND JIGS                  | 3B35      | CLIP top DIAGONAL 45°                                  |
| 3B10-3B11 | USING THIS SECTION                                 | 3B36      | CLIP 100°  |
| 3B12      | CLIP & CLIP top GENERAL SPECIFICATIONS             | 3B37      | CLIP top MINI 94°                                      |
| 3B13      | 110° CLIP top BLUMOTION                            | 3B38      | CLIP GLASS DOOR 94°                                    |
| 3B14      | 110° PLUS CLIP top BLUMOTION HINGES                | 3B39      | CLIP top HINGE 60° BI-FOLD                             |
| 3B15      | CLIP top BLUMOTION HINGE FOR THICK DOORS           | 3B40      | CLIP AND CLIP top COVER CAPS                           |
| 3B16      | CLIP top BLUMOTION HINGE FOR BLIND CORNER          | 3B41      | ANGLED HINGE PROGRAM                                   |
| 3B17      | CLIP top BLUMOTION HINGE FOR ALUMINUM FRAMED DOOR  | 3B42-3B43 | ANGLED CABINET CONFIGURATIONS                          |
| 3B18      | 15° ANGLE CLIP top BLUMOTION HINGE                 | 3B44      | ANGLED-TO-STYLE CROSS REFERENCE                        |
| 3B19      | 45° ANGLE I CLIP top BLUMOTION HINGE               | 3B45      | CLIP ANGLE CROSS CORNER 45°                            |
| 3B20      | 45° ANGLE II CLIP top BLUMOTION HINGE              | 3B46-3B48 | CLIP MOUNTING PLATES                                   |
| 3B21      | CLIP top 107°                                      | 3B48-3B49 | CLIP FACE FRAME ADAPTER PLATES                         |
| 3B22      | CLIP top 110°                                      |           |  |
| 3B23      | CLIP top 110° +                                    | 3C1       | COMPACT HINGES GENERAL SPECIFICATIONS                  |
| 3B24      | CLIP top 120°                                      | 3C2       | COMPACT 38N, 105°                                      |
| 3B25      | CLIP top 120° +                                    | 3C3       | COMPACT 38C, 107°                                      |
| 3B26      | CLIP top 125° ZERO-PROTRUSION FOR THICK DOOR HINGE | 3C4       | COMPACT 39C, 110°                                      |
| 3B27      | CLIP top HINGE - ZERO PROTRUSION                   | 3C5       | COMPACT 33, 110°                                       |
| 3B28-3B29 | CLIP top 170° AND SPECIAL APPLICATIONS 170°        | 3C6       | COMPACT 33 MOUNTING PLATES                             |
|           |  | 3D1-3D2   | JIG AND TEMPLATE                                       |

- 1 SCREWS AND FASTENERS
- 2 FURNITURE EQUIPMENT
- 3 HINGES
- 4 SLIDES
- 5 CASTERS AND LEGS
- 6 KITCHEN SOLUTIONS
- 7 CLOSET SOLUTIONS
- 8 LIGHTING SOLUTIONS
- 9 SINKS AND FAUCETS
- 10 OFFICE
- 11 SLIDING DOORS SYSTEMS
- 12 GLASS HARDWARE
- 13 PANELS AND SURFACES
- 14 EDGE-BANDING
- 15 CABINET DOORS AND DRAWERS
- 16 MOLDINGS, CORBELS AND WINE CELLARS
- 17 GLUES, SILICONES, CAULK AND INSULATING
- 18 TOOLS AND SECURITY
- 19 FINISHING PRODUCTS AND ABRASIVES
- 20 COMMERCIAL DISPLAY AND HARDWARE
- 21 BUILDERS HARDWARE



The BLUMOTION closes cabinet doors, silently and effortlessly, even when closed with force. Whether it's the kitchen, hall, living room, bathroom or bedroom, the new BLUMOTION feels at home everywhere. It provides perfect motion, bringing comfort to all areas of life.

- The adaptive system adjusts itself to the closing speed and the weight of the door
- Versions available for nearly all applications
- Can be installed at any time during the production and sales process
- It's integrated overload safety feature protects the system from damage due to improper use

### OVERVIEW

#### BLUMOTION 973A - CLIP ON



- Straight hinge arms
- Cranked hinge arms
- Full cranked hinge arms
- Wide angle hinge arms
- Angle hinge arms

#### BLUMOTION 971A - CLIP ON - IN ADAPTER PLATE FOR OVERLAY APPLICATION



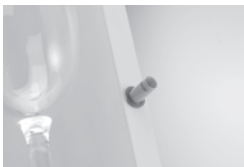
- Chipboard screws
- Expando
- Knock-in dowel

#### BLUMOTION 970A - FOR DRILLING, HINGE SIDE



- For drilling
- With adapter plates

#### BLUMOTION 970 - FOR DRILLING, HANDLE SIDE



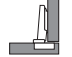

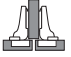



















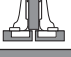







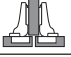



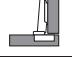





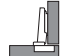

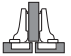





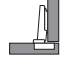



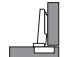

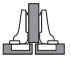



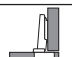

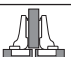

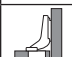



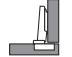

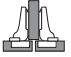




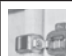












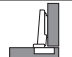

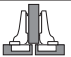











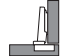

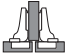






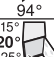


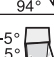





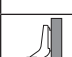



- For drilling
- With adapter plates



# CLIP and CLIP top Hinges

## BLUMOTION for Doors - Application Chart

| HINGE APPLICATIONS  |   | PAGE   | APPLICATION |   |   |            |   |   |           |   |   |          |
|---|---|--|-------------|---|---|------------|---|---|-----------|---|---|----------|
| <b>STANDARD APPLICATION</b>   |   |  |             |   |   |            |   |   |           |   |   |          |
|    |    | 110°-hinge   | 3B13        |    |    | 973A050001 |    |    | 973A0600  |    |    | 973A0700 |
|    |    | 110°-special hinge                                 | 3B14        |    |    | 973A050001 |   |   |           |   |   |          |
|    |    | 107°-hinge   | 3B21        |    |    | 973A050001 |    |    | 973A0600  |    |    | 973A0700 |
|    |    | CLIP 100° hinge                                    | 3B36        |    |    | 973A050001 |    |    | 973A0600  |    |    | 973A0700 |
| <b>WIDE ANGLED APPLICATION</b>  |   |  |             |   |   |            |   |   |           |   |   |          |
|    |    | 155°-hinge<br>Nil protrusion hinge                 | 3B27        |    |    | 973A07000  |    |    | 973A07000 |   |   |          |
|    |    | 170°-hinge   | 3B28        |    |    | 973A06000  |    |    | 973A06000 |   |   |          |
| <b>PROFILE DOOR APPLICATION</b>   |   |  |             |   |   |            |   |   |           |   |   |          |
|    |    | Profile/thick door hinge                           | 3B30        |    |    | 973A050001 |    |    | 973A0600  |    |    | 973A0700 |
|    |    | 125° hinge<br>Nil protrusion hinge                 | 3B26        |    |    | 973A07000  |   |   |           |   |   |          |
| <b>ALUMINUM FRAME APPLICATION</b>   |   |  |             |   |   |            |   |   |           |   |   |          |
|   |   | 95°-aluminum frame door hinge<br>CLIP top for 973A | 3B17        |   |   | 973A050001 |   |   | 973A0600  |   |   |          |
|  |  | 95°-aluminum frame door hinge<br>CLIP top          | 3B34        |  |  | 970A1002   |  |  | 970A1002  |  |  | 970A1002 |
| <b>GLASS DOOR APPLICATION</b>   |   |  |             |   |   |            |   |   |           |   |   |          |
|  |  | Glass door hinge                                   | 3B38        |  |  | 971AXXX    |  |  | 970A1002  |  |  | 970A1002 |
| <b>FRAME DOOR APPLICATION</b>   |   |  |             |   |   |            |   |   |           |   |   |          |
|  |  | Mini-hinge   | 3B37        |  |  | 971AXXX    |  |  | 970A1002  |  |  | 970A1002 |
| <b>CORNER CABINET SOLUTION</b>  |   |  |             |   |   |            |   |   |           |   |   |          |
|  |  | Corner cabinet bi-fold hinge                       | 3B39        |  |  | 9701002    |   |   |           |   |   |          |
| <b>ANGLED APPLICATION - STANDARD</b>  |   |  |             |   |   |            |   |   |           |   |   |          |
|  |  | ±5° angled application                             | 3B32        |  |  | 973A050001 |  |  | 973A0600  |  |  | 973A0700 |
| <b>ANGLED APPLICATION - GLASS DOOR</b>  |   |  |             |   |   |            |   |   |           |   |   |          |
|  |  | +45° angled hinge for glass doors                  | 3B38        |   |  | 970A1002   |   |   |           |   |   |          |
|  |  | +20° angled hinge for glass doors                  | 3B38        |   |  | 970A1002   |   |   |           |   |   |          |
|  |  | ±5° angled application for glass doors             | 3B38        |  |  | 970A1002   |  |  | 970A1002  |  |  | 970A1002 |
| <b>ANGLED APPLICATION - GLASS DOOR</b>  |   |  |             |   |   |            |   |   |           |   |   |          |
|  |  | +45° angled hinge with mini boss                   | 3B37        |   |  | 970A1002   |   |   |           |   |   |          |
|  |  | +20° angled hinge with mini boss                   | 3B37        |   |  | 970A1002   |   |   |           |   |   |          |
|  |  | ±5° angled application with mini boss              | 3B37        |  |  | 970A1002   |  |  | 970A1002  |  |  | 970A1002 |

CCRM 2018

- 1** SCREWS AND FASTENERS
- 2** FURNITURE EQUIPMENT
- 3** HINGES
- 4** SLIDES
- 5** CASTERS AND LEGS
- 6** KITCHEN SOLUTIONS
- 7** CLOSET SOLUTIONS
- 8** LIGHTING SOLUTIONS
- 9** SINKS AND FAUCETS
- 10** OFFICE
- 11** SLIDING DOORS SYSTEMS
- 12** GLASS HARDWARE
- 13** PANELS AND SURFACES
- 14** EDGE-BANDING
- 15** CABINET DOORS AND DRAWERS
- 16** MOLDINGS, CORBELS AND WINE CELLARS
- 17** GLUES, SILICONES, CAULK AND INSULATING
- 18** TOOLS AND SECURITY
- 19** FINISHING PRODUCTS AND ABRASIVES
- 20** COMMERCIAL DISPLAY AND HARDWARE
- 21** BUILDERS HARDWARE

### BLUMOTION 973A

BLUMOTION 973A, in combination with CLIP and CLIP top hinges, is the ideal solution for perfect door motion. Assembly and removal can be carried out by hand.

- Easily assembles onto the hinge arm
- CLIP function remains intact when BLUMOTION is added
- Tool-free removal enables you to make hinge adjustments

#### BLUMOTION 973A - FOR HINGES WITH A STRAIGHT HINGE ARM



973A050001

- CLIP 100°
- CLIP top 107°
- CLIP top 120°
- CLIP top 120° special
- CLIP top profile door
- CLIP top for aluminum frame door

#### BLUMOTION 973A - FOR HINGES WITH A 1/2 CRANKED HINGE ARM



973A0600

- CLIP 95°
- CLIP 100°
- CLIP top 107°
- CLIP top 120°
- CLIP top profile door

#### BLUMOTION 973A - FOR ANGLED HINGES



973A7680

- Angle CLIP 37° (79A9597180)
- Angle CLIP 45° (79A9698180)

#### BLUMOTION 973A - FOR HINGES WITH A FULLY CRANKED HINGE ARM



973A0700

- CLIP 100°
- CLIP top 107°
- CLIP top profile door

#### BLUMOTION 973A - FOR WIDE ANGLE HINGES WITH A STRAIGHT OR 1/2 CRANKED HINGE ARM



973A6000

- CLIP top 170° – straight arm
- CLIP top 170° – cranked
- CLIP top 155° 0 – protrusion hinge

#### BLUMOTION 973A - FOR WIDE ANGLE HINGES WITH A STRAIGHT OR 1/2 CRANKED HINGE ARM



973A7000

- CLIP top 170° – straight arm
- CLIP top 170° – cranked
- CLIP top 155° 0 – protrusion hinge
- CLIP top 125° 0 – protrusion hinge

CCRM 2018

# Hinges I

## CLIP and CLIP top Hinges

### BLUMOTION 971A for Doors



## Richelieu Section 3B

### BLUMOTION 971A

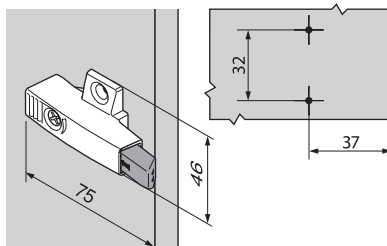
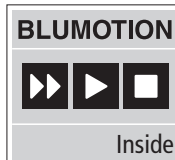
BLUMOTION 971A can be used with CLIP top and CLIP straight arm hinges. For optimal BLUMOTION effect, it should be attached centrally between the hinges. For high and heavy doors, we recommend using an additional BLUMOTION 971A between an additional hinge pair. Door gap adjustment needs to be replicated on the 971, this is easily achieved via a spiral screw depth adjustment feature (+3/-7 mm).

#### BLUMOTION 971A

With a wing base assembly (37/32)

- Assembly using chipboard screws Ø 3 mm or Ø 4 mm
- Material: Zinc, nickel plated

| PRODUCT   | HEIGHT | QTY/BOX |
|-----------|--------|---------|
| 971A0500* | 25 mm  | 1       |



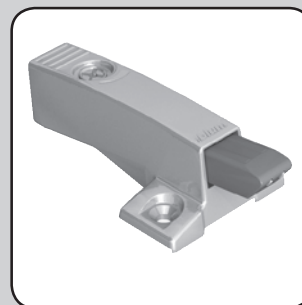
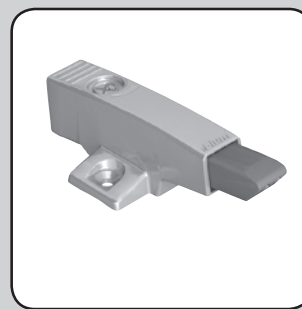
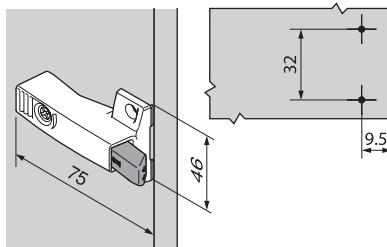
### BLUMOTION 971A

#### BLUMOTION 971A

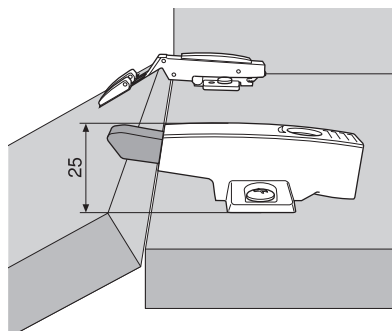
With a cruciform base assembly (9.5/32)

- Assembly using chipboard screws Ø 3 mm or Ø 4 mm
- Material: Zinc, nickel plated

| PRODUCT  | CONSTRUCTION HEIGHT | QTY/BOX |
|----------|---------------------|---------|
| 971A0700 | 25 mm               | 1       |



#### Construction height 25 mm

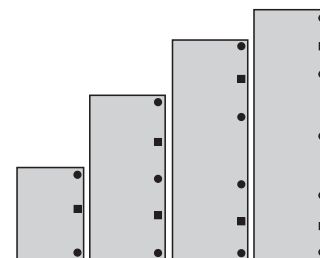


For all hinges with a straight hinge arm and a 0 mm spaced mounting plate.

Exception: Profile door hinge 95°.

#### Assembly positions

The following figures provide the recommended BLUMOTION 971A assembly positions for doors with two or more hinges.



■ BLUMOTION 971AXXX  
● Hinges

- 1 SCREWS AND FASTENERS
- 2 FURNITURE EQUIPMENT
- 3 HINGES
- 4 SLIDES
- 5 CASTERS AND LEGS
- 6 KITCHEN SOLUTIONS
- 7 CLOSET SOLUTIONS
- 8 LIGHTING SOLUTIONS
- 9 SINKS AND FAUCETS
- 10 OFFICE
- 11 SLIDING DOORS SYSTEMS
- 12 GLASS HARDWARE
- 13 PANELS AND SURFACES
- 14 EDGE-BANDING
- 15 CABINET DOORS AND DRAWERS
- 16 MOLDINGS, CORBELS AND WINE CELLARS
- 17 GLUES, SILICONES, CAULK AND INSULATING
- 18 TOOLS AND SECURITY
- 19 FINISHING PRODUCTS AND ABRASIVES
- 20 COMMERCIAL DISPLAY AND HARDWARE
- 21 BUILDERS HARDWARE

# I Hinges I

## CLIP and CLIP top Hinges

### BLUMOTION for Doors

### BLUMOTION 970A for Doors

- Perfecting movement, quiet and easy
- For drilling or in combination with adapter plate

#### FOR DRILLING HINGES SIDE

| PRODUCT  | COLOR | BORING Ø | QTY/BOX |
|----------|-------|----------|---------|
| 970A1002 | Gray  | 10 mm    | 50      |

#### BLUMOTION 970A (970A1002)

BLUMOTION 970A is located onto the hinge side, and produces the same perfect motion – even for angled hinges. The BLUMOTION 970A should be inserted into a pre-drilled hole, located in the cabinet top panel. The correct position is set using the drilling distance (BA). If the BLUMOTION effect, on a particular door width, is insufficient, we recommend installing an additional BLUMOTION 970A to the bottom panel.

We recommend BLUMOTION 973A or BLUMOTION 971A for exceptionally heavy or high cabinet doors.



### BLUMOTION 970A DRILLING DISTANCE

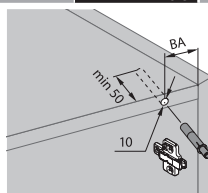
#### Standard application

|    |      | BA in mm |      | BA in mm |      | BA in mm |      | BA in mm |
|----|------|----------|------|----------|------|----------|------|----------|
| MD | 0 mm | 32       | 0 mm | 41       | 0 mm | 50       |      |          |
| MD | 3 mm | 35       | 3 mm | 44       | 3 mm | 53       | 3 mm | 51       |
| MD | 6 mm | 38       | 6 mm | 47       |      |          |      |          |
| MD | 9 mm | 41       | 9 mm | 50       |      |          |      |          |

MD: Mounting plate spacing  
BA: Drilling distance

#### Drilling distance

The following table provides the corresponding drilling distance for each angled application.

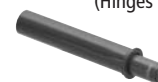


Drilling distance (BA) in mm

N° 12      54

Angled application

970A1002  
(Hinges side)



SEE ALSO « ANGLED-TO-STYLE CROSS REFERENCE » CHART AT PAGE 3B46

#### Angled application

|      |       | BA in mm |       | BA in mm |       | BA in mm |       | BA in mm |       | BA in mm |
|------|-------|----------|-------|----------|-------|----------|-------|----------|-------|----------|
| 50°  | N° 25 | 48       | N° 54 | 48       | N° 10 | 41       | N° 45 | 33       | N° 61 |          |
| 45°  | N° 24 | 48       | N° 53 | 48       | N° 9  | 41       | N° 44 | 33       | N° 60 |          |
| 40°  | N° 23 | 48       |       |          | N° 8  | 41       | N° 43 | 33       |       |          |
| 35°  | N° 22 | 48       | N° 52 | 48       | N° 7  | 41       | N° 42 | 33       | N° 59 |          |
| 30°  | N° 21 | 48       | N° 51 | 48       | N° 6  | 41       | N° 41 | 33       | N° 58 |          |
| 25°  | N° 20 | 48       | N° 50 | 48       | N° 5  | 37       | N° 40 | 33       | N° 57 |          |
| 20°  | N° 19 | 48       | N° 49 | 48       | N° 4  | 37       | N° 39 | 33       | N° 56 |          |
| 15°  | N° 18 | 48       | N° 48 | 48       | N° 3  | 33       | N° 38 | 33       | N° 55 |          |
| 10°  | N° 17 | 48       | N° 47 | 48       | N° 2  | 33       | N° 37 | 33       |       |          |
| 5°   | N° 16 | 37       | N° 46 | 37       | N° 1  | 33       | N° 36 | 33       |       |          |
| -5°  | N° 15 | 48       |       |          |       |          | N° 35 | 37       |       |          |
| -10° | N° 14 | 54       |       |          |       |          | N° 34 | 33       |       |          |
| -15° | N° 13 | 54       |       |          |       |          | N° 33 | 33       |       |          |
| -20° | N° 12 | 54       |       |          |       |          | N° 32 | 37       |       |          |
| -25° | N° 11 | 54       |       |          |       |          | N° 31 | 33       |       |          |
| -30° |       |          |       |          |       |          | N° 30 | 33       |       |          |
| -35° |       |          |       |          |       |          | N° 29 | 37       |       |          |
| -40° |       |          |       |          |       |          | N° 28 | 37       |       |          |
| -45° |       |          |       |          |       |          | N° 27 | 37       |       |          |
| -50° |       |          |       |          |       |          | N° 26 | 45       |       |          |

# Hinges I

## CLIP and CLIP top Hinges

### BLUMOTION for Doors



## Richelieu Section 3B

Cabinets can be opened with a light touch and can be closed by simply pressing the front.

### TIP-ON Short Version for Doors

- For overlay doors up to approximately 1300 mm (51-1/4") height.

| PRODUCT | QTY/BOX |
|---------|---------|
| 9561004 | 1       |

- With magnet
- For drilling diameter 10 x 50 mm
- Output path 17 mm

### In-line Adapter Short Version

| PRODUCT | QTY/BOX |
|---------|---------|
| 9561201 | 1       |

### Tip-On Long Version for Doors

- For overlay doors starting at approximately 1300 mm (51-1/4") height or inset doors .

| PRODUCT  | QTY/BOX |
|----------|---------|
| 956A1004 | 1       |

- With magnet
- For drilling diameter 10 x 76 mm
- Output path 38 mm

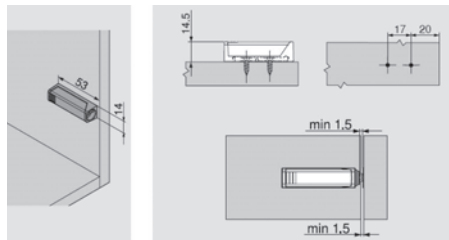
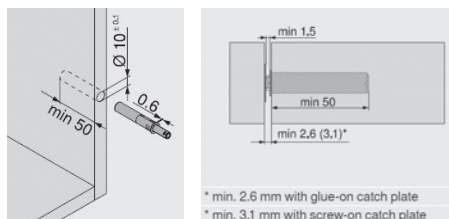
### In-line Adapter Long Version

| PRODUCT  | QTY/BOX |
|----------|---------|
| 956A1201 | 1       |

#### ASSEMBLY POSITION



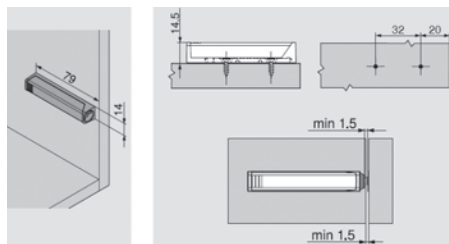
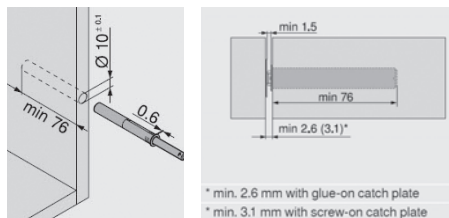
Optimal opening support is ensured when the TIP-ON unit is attached in the correct handle position. This can deviate  $\pm 300$  mm vertically and up to a quarter of the cabinet width horizontally.



#### ASSEMBLY POSITION



Optimal opening support is ensured when the TIP-ON unit is attached in the correct handle position. This can deviate  $\pm 300$  mm vertically and up to a quarter of the cabinet width horizontally.



CCRM 2018

|    |  |
|----|--|
| 1  | SCREWS AND FASTENERS                   |
| 2  | FURNITURE EQUIPMENT                    |
| 3  | HINGES                                 |
| 4  | SLIDES                                 |
| 5  | CASTERS AND LEGS                       |
| 6  | KITCHEN SOLUTIONS                      |
| 7  | CLOSET SOLUTIONS                       |
| 8  | LIGHTING SOLUTIONS                     |
| 9  | SINKS AND FAUCETS                      |
| 10 | OFFICE                                 |
| 11 | SLIDING DOORS SYSTEMS                  |
| 12 | GLASS HARDWARE                         |
| 13 | PANELS AND SURFACES                    |
| 14 | EDGE-BANDING                           |
| 15 | CABINET DOORS AND DRAWERS              |
| 16 | MOLDINGS, CORBELS AND WINE CELLARS     |
| 17 | GLUES, SILICONES, CAULK AND INSULATING |
| 18 | TOOLS AND SECURITY                     |
| 19 | FINISHING PRODUCTS AND ABRASIVES       |
| 20 | COMMERCIAL DISPLAY AND HARDWARE        |
| 21 | BUILDERS HARDWARE                      |

# Hinges I

## CLIP and CLIP top Hinges

### BLUMOTION for Doors



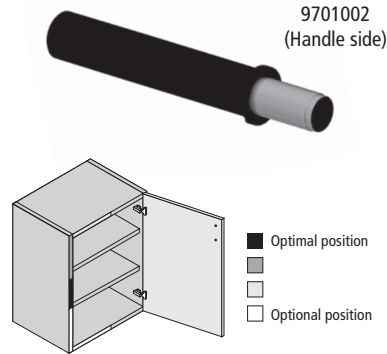
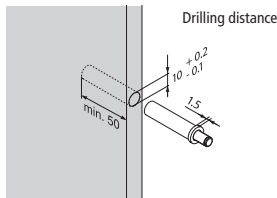
## Richelieu Section 3B

### BLUMOTION 970 for Doors

- Perfecting movement, quiet and easy
- For drilling or in combination with adapter plate

#### FOR DRILLING HANDLE SIDE

| PRODUCT | COLOR | BORING Ø | QTY/BOX |
|---------|-------|----------|---------|
| 9701002 | Gray  | 10 mm    | 50      |



- Optimal position
- Optimal position
- Optional position

#### ADAPTER PLATES (OPTIONAL)

BLUMOTION adapter plates 970XXXX are required for the following applications:



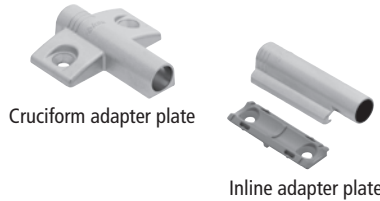
Inset application



Angled application, inset



Angled application, mitered

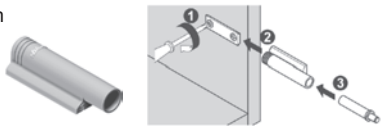


Cruciform adapter plate

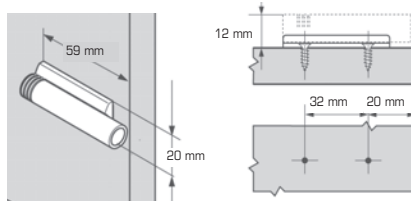
Inline adapter plate

### In-Line Adapter Plate

- plate version



| PRODUCT | FINISH | QTY/BOX |
|---------|--------|---------|
| 9705201 | Nickel | 50      |

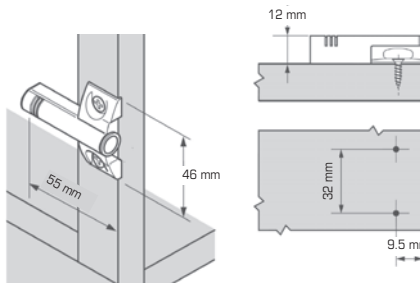


### Cruciform Adapter Plate

- Screw-On version



| PRODUCT | FINISH | QTY/BOX |
|---------|--------|---------|
| 9705701 | Nickel | 50      |

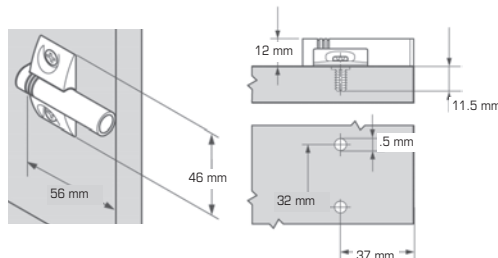


### Cruciform Adapter Plate

- Expando split dowel



| PRODUCT | FINISH | QTY/BOX |
|---------|--------|---------|
| 97055E1 | Nickel | 50      |



With the BLUMOTION mechanism for doors, all doors close slowly and quietly. It can be installed in the edge of the door or using an adapter inside the furniture. These optional adapters can be used with 970A1002 (hinges side) or 9701002 (handle side).

For drilling (A) or in combination with adapters plates (B)

CCRM 2018



# Hinges I

## CLIP and CLIP top Hinges

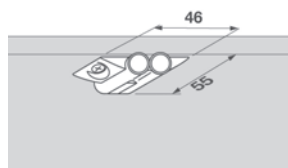
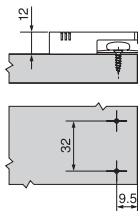
### BLUMOTION for Doors



## Richelieu Section 3B

### Cruciform Double Adapter Plate

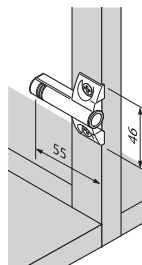
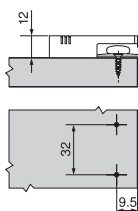
- Screw-On version
- For two-door cabinet without a partition
- Not for use with 970A1002



| PRODUCT | FINISH | QTY/BOX |
|---------|--------|---------|
| 9706701 | Nickel | 50      |

### Cruciform Adapter Plate

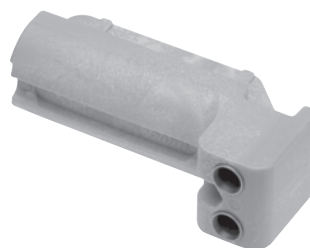
- Screw-On version



| PRODUCT | FINISH | QTY/BOX |
|---------|--------|---------|
| 9705701 | Nickel | 50      |

### BLUMOTION Hinge Side Drilling Jig

- For 10 mm diameter drilling
- Drilling jig for BLUMOTION 970A1002 mechanism
- For the processing of: top and bottom cabinet panel

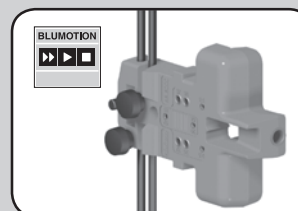
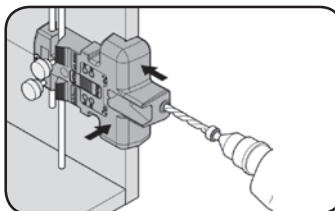
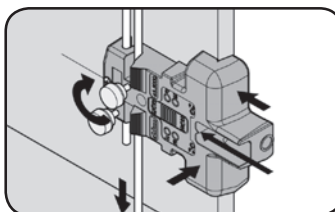
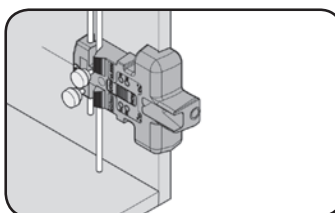


| PRODUCT | COLOR  | QTY/BOX |
|---------|--------|---------|
| 655010  | Orange | 1       |

### BLUMOTION Drilling Jig

- For BLUMOTION 9701002 installation

| PRODUCT | COLOR  | QTY/BOX |
|---------|--------|---------|
| 655000  | Orange | 1       |



Using the drilling jig, BLUMOTION assembly is a snap: both horizontal drilling and adapter plate mounting hole boring can be completed easily.

|    |  |
|----|--|
| 1  | SCREWS AND FASTENERS                   |
| 2  | FURNITURE EQUIPMENT                    |
| 3  | HINGES                                 |
| 4  | SLIDES                                 |
| 5  | CASTERS AND LEGS                       |
| 6  | KITCHEN SOLUTIONS                      |
| 7  | CLOSET SOLUTIONS                       |
| 8  | LIGHTING SOLUTIONS                     |
| 9  | SINKS AND FAUCETS                      |
| 10 | OFFICE                                 |
| 11 | SLIDING DOORS SYSTEMS                  |
| 12 | GLASS HARDWARE                         |
| 13 | PANELS AND SURFACES                    |
| 14 | EDGE-BANDING                           |
| 15 | CABINET DOORS AND DRAWERS              |
| 16 | MOLDINGS, CORBELS AND WINE CELLARS     |
| 17 | GLUES, SILICONES, CAULK AND INSULATING |
| 18 | TOOLS AND SECURITY                     |
| 19 | FINISHING PRODUCTS AND ABRASIVES       |
| 20 | COMMERCIAL DISPLAY AND HARDWARE        |
| 21 | BUILDERS HARDWARE                      |



# I Hinges I

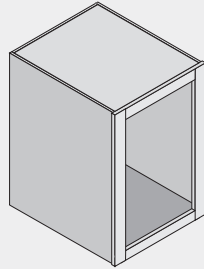
## CLIP and CLIP top Hinges

### Using this Section

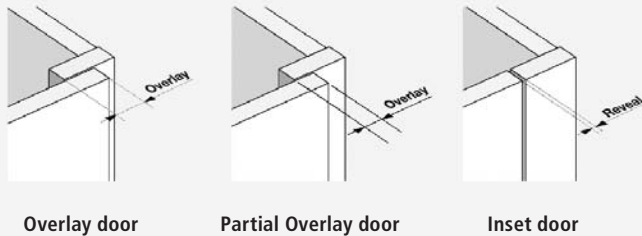
### Face frame cabinets

Step 1: Determine cabinet construction

Face frame cabinet



Step 2: Determine the overlay or reveal



Overlay door

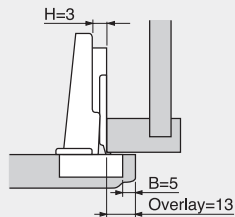
Partial Overlay door

Inset door

Step 3: Find boring distance and mounting plate height in the table. Example:

| Overlay table |     |                    |      |      |                |      |
|---------------|-----|--------------------|------|------|----------------|------|
| 0             | 14  | 15                 | 16   | 17   | 11.5           | 20.5 |
| 3             | 11  | 12                 | 13   | 14   | 14.5           | 23.5 |
| 4.5           | 9.5 | 10.5               | 11.5 | 12.5 | 16             | 25   |
| 6             | 8   | 9                  | 10   | 11   | 17.5           | 26.5 |
| 9             | 5   | 6                  | 7    | 8    | 20.5           | 29.5 |
| H<br>Plate    | 3   | B<br>Bore distance | 4    | 5    | P<br>Clearance | S    |

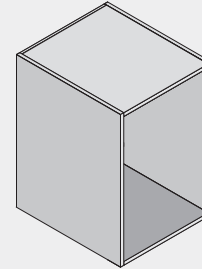
11 fixed distance



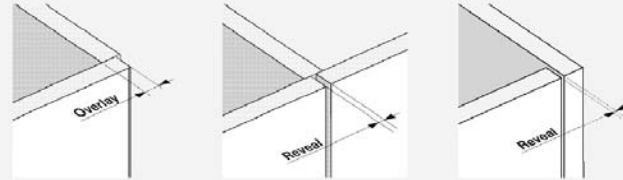
### Panel cabinets

Step 1: Determine cabinet construction

Panel cabinet



Step 2: Determine the overlay or reveal



Overlay door

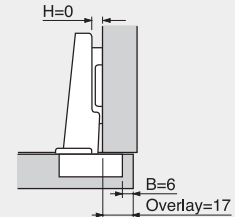
Twin doors

Inset door

Step 3: Find boring distance and mounting plate height in the table. Example:

| Overlay table |     |                    |      |      |      |                |
|---------------|-----|--------------------|------|------|------|----------------|
| 0             | 14  | 15                 | 16   | 17   | 11.5 | 20.5           |
| 3             | 11  | 12                 | 13   | 14   | 14.5 | 23.5           |
| 4.5           | 9.5 | 10.5               | 11.5 | 12.5 | 16   | 25             |
| 6             | 8   | 9                  | 10   | 11   | 17.5 | 26.5           |
| 9             | 5   | 6                  | 7    | 8    | 20.5 | 29.5           |
| H<br>Plate    | 3   | B<br>Bore distance | 4    | 5    | 6    | P<br>Clearance |

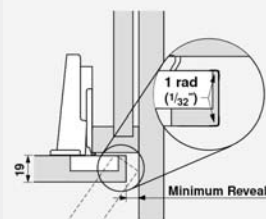
11 fixed distance



### Step 4: Check minimum reveal table

All minimum reveal tables are based on square edge doors with a 1mm radius. A larger radius or profile door will reduce the minimum reveal. Trial recommended.

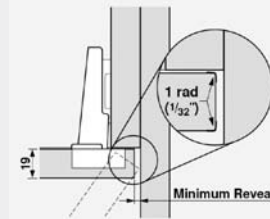
| Minimum reveal table |     |     |     |     |                  |
|----------------------|-----|-----|-----|-----|------------------|
| 1.2                  | 1.7 | 2.0 | 2.4 | 3.3 | 3                |
| 1.2                  | 1.7 | 2.0 | 2.3 | 3.1 | 4                |
| 1.1                  | 1.6 | 1.9 | 2.2 | 3.0 | 5                |
| 1.1                  | 1.6 | 1.9 | 2.2 | 2.9 | 6                |
| 16                   | 18  | 19  | 20  | 22  | B                |
|                      |     |     |     |     | T Door thickness |




### Step 4: Check minimum reveal table

All minimum reveal tables are based on square edge doors with a 1mm radius. A larger radius or profile door will reduce the minimum reveal. Trial recommended.

| Minimum reveal table |     |     |     |     |                  |
|----------------------|-----|-----|-----|-----|------------------|
| 1.2                  | 1.7 | 2.0 | 2.4 | 3.3 | 3                |
| 1.2                  | 1.7 | 2.0 | 2.3 | 3.1 | 4                |
| 1.1                  | 1.6 | 1.9 | 2.2 | 3.0 | 5                |
| 1.1                  | 1.6 | 1.9 | 2.2 | 2.9 | 6                |
| 16                   | 18  | 19  | 20  | 22  | B                |
|                      |     |     |     |     | T Door thickness |



Step 5: Select hinge

| STRAIGHT-ARM HINGES  |            |
|--|------------|
|  | Self close |
| Screw-On   | 71T555180  |
| Press-In  | 71T558180  |
| Expando  | 71T558E180 |
| INSERTA  | 71T559180  |

Step 5: Select hinge

| STRAIGHT-ARM HINGES |            |
|---------------------|------------|
|                     | Self close |
| Screw-On            | 71T555180  |

# Hinges I

## CLIP and CLIP top Hinges

Using this Section

# Richelieu Section 3B

- 1 SCREWS AND FASTENERS
- 2 FURNITURE EQUIPMENT
- 3 HINGES**
- 4 SLIDES
- 5 CASTERS AND LEGS
- 6 KITCHEN SOLUTIONS
- 7 CLOSET SOLUTIONS
- 8 LIGHTING SOLUTIONS
- 9 SINKS AND FAUCETS
- 10 OFFICE
- 11 SLIDING DOORS SYSTEMS
- 12 GLASS HARDWARE
- 13 PANELS AND SURFACES
- 14 EDGE-BANDING
- 15 CABINET DOORS AND DRAWERS
- 16 MOLDINGS, CORBELS AND WINE CELLARS
- 17 GLUES, SILICONES, CAULK AND INSULATING
- 18 TOOLS AND SECURITY
- 19 FINISHING PRODUCTS AND ABRASIVES
- 20 COMMERCIAL DISPLAY AND HARDWARE
- 21 BUILDERS HARDWARE

Type of hinges

Step 1

Step 2

### Richelieu Section 3B

## CLIP and CLIP top Hinges

**CLIP 100°**

- 100° opening angle
- 3-dimensional adjustment
- All metal hinge, nickel plated
- Available INSERTA tool-free attachment
- Standard packaging: Box of 50/250

See also

|                     |                     |
|---------------------|---------------------|
| Cover caps          | See page 3841       |
| Mounting plates     | See page 3847 to 49 |
| BLUMOTION for doors | See page 382 to 9   |

Minimum reveal table

|                |     |     |     |     |     |      |
|----------------|-----|-----|-----|-----|-----|------|
| 0.5            | 0.9 | 1.1 | 1.4 | 2.3 | 3.6 | 3    |
| 0.5            | 0.8 | 1.0 | 1.3 | 2.0 | 3.3 | 4    |
| 0.4            | 0.8 | 1.0 | 1.2 | 1.8 | 3.0 | 5    |
| 0.4            | 0.8 | .9  | 1.1 | 1.7 | 2.8 | 6    |
| 16             | 18  | 19  | 20  | 22  | 24  | B    |
| Door thickness |     |     |     |     |     | Bore |

Cross-reference the door thickness and bore distance to assure that doors won't bind when opened.

100°

Door opening angle

Frame cabinet applications

Overlay door

Partial overlay door

Panel cabinet applications

Overlay door

Twin overlay doors

Inset door

Straight-arm hinges

|                     |               |            |
|---------------------|---------------|------------|
|                     | Self close    | Free swing |
| Screw-on            | 71M255180     | 70M255180  |
| Screw-on with plate | BP71M25521180 | -          |
| Press-in            | 71M258180     | 70M258180  |
| INSERTA             | -             | -          |

Overlay table

|       |     |               |      |            |      |      |
|-------|-----|---------------|------|------------|------|------|
| 0     | 14  | 15            | 16   | 17         | 9    | 20   |
| 3     | 11  | 12            | 13   | 14         | 12   | 23   |
| 4.5   | 9.5 | 10.5          | 11.5 | 12.5       | 13.5 | 24.5 |
| 6     | 8   | 9             | 10   | 11         | 15   | 26   |
| 9     | 5   | 6             | 7    | 8          | 18   | 29   |
| H     | 3   | 4             | 5    | 6          | P    | S    |
| Plate |     | Bore distance |      | Clearances |      |      |

NOTE: 4.5 plate only available for face frame, 9 plate only available for panel cabinets

Half-cranked hinges (9.5mm)

|                     |               |            |
|---------------------|---------------|------------|
|                     | Self close    | Free swing |
| Screw-on            | 71M265180     | 70M265180  |
| Screw-on with plate | BP71M26521180 | -          |
| Press-in            | 71M268180     | -          |
| INSERTA             | -             | -          |

Reveal table

|       |   |               |   |       |      |            |   |
|-------|---|---------------|---|-------|------|------------|---|
| 0     | 7 | 5             | 3 | 1     | 16   |            |   |
| 10    | 8 | 6             | 4 | 19    | 18.5 | 30         |   |
| H     | 3 | 4             | 5 | 6     | W    | P          | S |
| Plate |   | Bore distance |   | Panel |      | Clearances |   |

Overlay table

|       |     |               |     |            |      |    |
|-------|-----|---------------|-----|------------|------|----|
| 0     | 4.5 | 5.5           | 6.5 | 7.5        | 18.5 | 30 |
| H     | 3   | 4             | 5   | 6          | P    | S  |
| Plate |     | Bore distance |     | Clearances |      |    |

1.5 fixed distance

Full-cranked hinges (18mm)

|                     |               |            |
|---------------------|---------------|------------|
|                     | Self close    | Free swing |
| Screw-on            | 71M275180     | 70M275180  |
| Screw-on with plate | BP71M27521180 | -          |
| Press-in            | 71M278180     | 70M278180  |
| INSERTA             | -             | -          |

Reveal table

|       |   |               |   |            |    |    |
|-------|---|---------------|---|------------|----|----|
| 0     | 4 | 3             | 2 | 1          | 27 | 38 |
| H     | 3 | 4             | 5 | 6          | P  | S  |
| Plate |   | Bore distance |   | Clearances |    |    |

NOTE: On frame application use a half-cranked hinge from above and mounting plate 175H503021180

Step 4

Step 5

Step 3

Step 5

Step 3

Step 5

Ram needed for use with MINIPRESS

richelieu.com

CCRM 2018

Page 3B37

Tel.: 1 800 361.6000 • Fax: 1 800 363.0193

CCRM 2018

Page 3B11

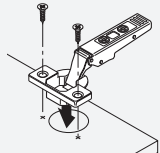
# Hinges I

## CLIP and CLIP top Hinges

### General Specifications

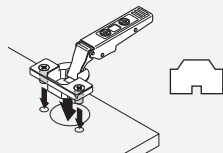
#### Hinge-to-door attachment

##### Screw-On



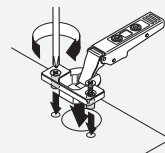
Use #6 wood screws

##### Press-In



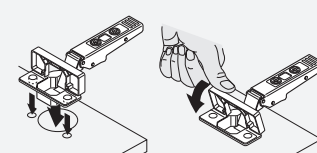
Pre-attached dowels installed with Blum MINIPRESS

##### EXPANDO



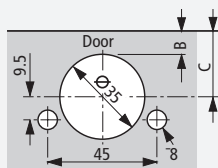
Pre-attached expanding dowels

##### INSERTA



Tool-free attachment

#### Hinge cup centerpoint

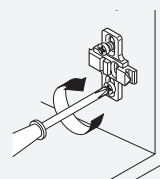


| C Cup centerpoint |      |      |      |      |      |
|-------------------|------|------|------|------|------|
| 20.5              | 21.5 | 22.5 | 23.5 | 24.5 | 25.5 |
| 3                 | 4    | 5    | 6    | 7*   | 8*   |
| B Bore distance   |      |      |      |      |      |

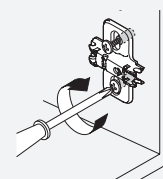
\* only for use with select Blum hinges

Cup centerpoint is the MINIPRESS or MINIDRILL fence depth position.

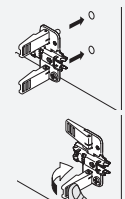
#### Mounting plate-to-cabinet



Screw-On



EXPANDO

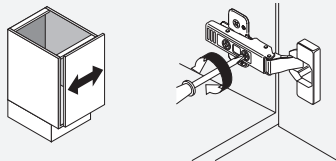


INSERTA

#### Three-dimensional adjustment

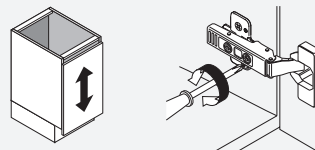
##### Side adjustment

Turn front screw to increase or decrease door overlay (+/-2mm).



##### Height adjustment

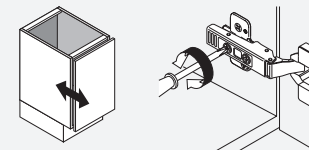
Rotate cam Screw-On mounting plate to adjust door position (+/-2mm).



On non-cam mounting plates, loosen screw, adjust door and retighten screws.

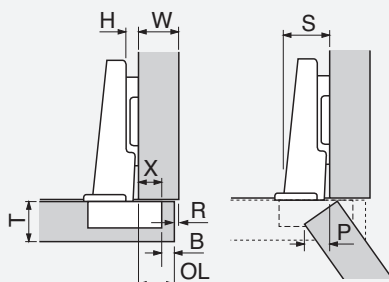
##### Depth adjustment

Turn rear spiral-tech cam screw to adjust door position (+3mm, -2mm).



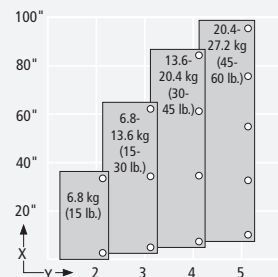
For CLIP, loosen rear screw, adjust and retighten.

#### Hinge dimension abbreviations



- B = Boring distance
- H = Mounting plate height
- OL = Door overlay
- P = Door protrusion (at max opening)
- R = Reveal
- S = Hinge arm protrusion
- T = Door thickness
- W = Side panel width
- X = Fixed distance

#### Hinges per door



This chart can serve as a guide for determining the number of hinges per door. Note that door weight can also determine the number of hinges required.

**Important:**  
 The distance between the two hinges must be greater than the width of the door for maximum stability.

X = Door height  
 Y = Number of hinges

# Hinges I

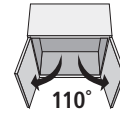
## CLIP and CLIP top Hinges



# Richelieu Section 3B

### 110° CLIP top BLUMOTION

- CLIP top BLUMOTION with integrated BLUMOTION (with deactivation option)
- CLIP top with or without closing mechanism (spring)
- All metal hinge, nickel plated
- 110° opening angle
- 3-dimensional front adjustment
- Convenient spiral-tech depth adjustment
- Tool-free door to cabinet assembly and removal
- With INSERTA tool-free hinge to door assembly

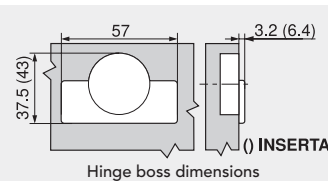
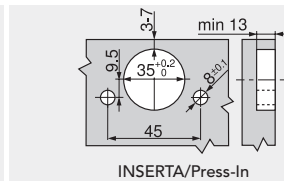
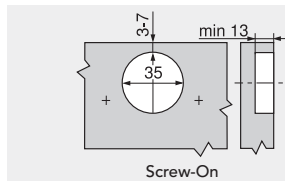


Minimum gap (F) for fronts with a front radius (R = 1 mm) based on the factory setting

| Drilling distance FB                  | Front thickness FS |      |      |      |      |      |      |      |      |      |                                       |    |
|---------------------------------------|--------------------|------|------|------|------|------|------|------|------|------|---------------------------------------|----|
|                                       | 16                 | 18   | 19   | 20   | 21   | 22   | 23   | 24   | 25   | 26   | 28                                    | 30 |
| 3                                     | 0.5                | 0.8  | 1.0  | 1.2  | 1.5  | 1.8  | 2.2  | 2.7  | 3.5  | 4.3  | In these cases a trial is recommended |    |
| 4                                     | 0.5                | 0.8  | 1.0  | 1.2  | 1.4  | 1.7  | 2.0  | 2.5  | 3.1  | 3.8  |                                       |    |
| 5                                     | 0.5                | 0.8  | 0.9  | 1.2  | 1.4  | 1.7  | 2.0  | 2.4  | 2.9  | 3.4  |                                       |    |
| 6                                     | 0.5                | 0.8  | 0.9  | 1.2  | 1.3  | 1.6  | 1.9  | 2.3  | 2.7  | 3.2  |                                       |    |
| 7                                     | 0.5                | 0.8  | 0.9  | 1.1  | 1.3  | 1.6  | 1.9  | 2.2  | 2.6  | 3.0  |                                       |    |
| Additional for + 2 mm side adjustment |                    |      |      |      |      |      |      |      |      |      |                                       |    |
|                                       | +0.2               | +0.4 | +0.4 | +0.5 | +0.5 | +0.5 | +0.5 | +0.5 | +0.5 | +0.5 |                                       |    |

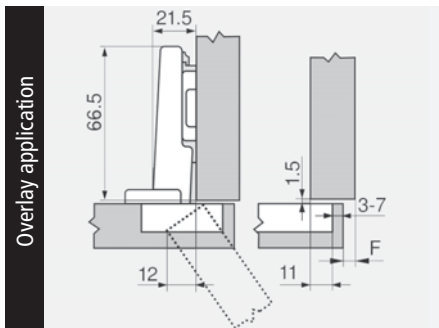
#### See also

|                     |                     |
|---------------------|---------------------|
| Cover caps          | See page 3B41       |
| Mounting plates     | See page 3B47 to 49 |
| BLUMOTION for doors | See page 3B2 to 9   |



#### Planning

Hinge dimensions and gap calculation based on factory setting (mounting plate spacing = 0 mm). Hinge and door protrusion at full opening angle.



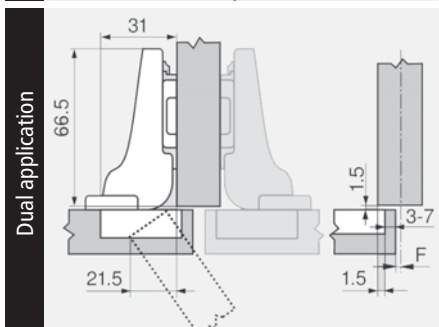
Drilling distance

| Front overlay |                  |
|---------------|------------------|
| -             | 0 3 6 9 12 15 18 |
| 0             | 3 4 5 6 7        |
| 3             | 3 4 5 6 7        |
| 6             | 3 4 5 6 7        |
| 9             | 3 4 5 6 7        |

Mounting plate

#### Overlay applications

|          | Self close       |
|----------|------------------|
| Screw-On | <b>71B355180</b> |
| Press-In | <b>71B358180</b> |
| INSERTA  | <b>71B359180</b> |



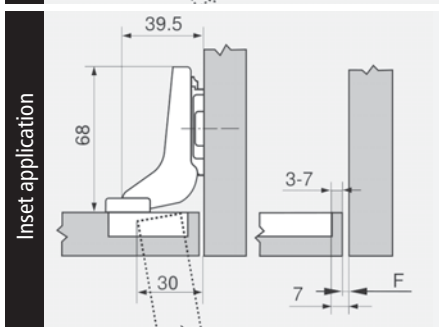
Drilling distance

| Front overlay |  |
|---------------|--|
| -             | 0 3 6 9 12 15 18 21 24 27 30 33 36 39 42 45 48 51 54 57 60 63 66 69 72 75 78 81 84 87 90 |
| 0             | 3 4 5 6 7  |
| 3             | 3 4 5 6 7  |
| 6             | 3 4 5 6 7  |
| 9             | 3 4 5 6 7  |

Mounting plate

#### Dual applications

|          | Self close       |
|----------|------------------|
| Screw-On | <b>71B365180</b> |
| Press-In | <b>71B368180</b> |
| INSERTA  | <b>71B369180</b> |



Drilling distance

| Front overlay |  |
|---------------|--|
| -             | 0 3 6 9 12 15 18 21 24 27 30 33 36 39 42 45 48 51 54 57 60 63 66 69 72 75 78 81 84 87 90 |
| 0             | 3 4 5 6 7  |
| 3             | 3 4 5 6 7  |
| 6             | 3 4 5 6 7  |
| 9             | 3 4 5 6 7  |

Mounting plate

#### Inset applications

|          | Self close       |
|----------|------------------|
| Screw-On | <b>71B375180</b> |
| Press-In | <b>71B378180</b> |
| INSERTA  | <b>71B379180</b> |

CCRM 2018

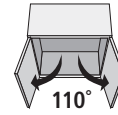
|           |  |
|-----------|--|
| <b>1</b>  | SCREWS AND FASTENERS                   |
| <b>2</b>  | FURNITURE EQUIPMENT                    |
| <b>3</b>  | HINGES                                 |
| <b>4</b>  | SLIDES                                 |
| <b>5</b>  | CASTERS AND LEGS                       |
| <b>6</b>  | KITCHEN SOLUTIONS                      |
| <b>7</b>  | CLOSET SOLUTIONS                       |
| <b>8</b>  | LIGHTING SOLUTIONS                     |
| <b>9</b>  | SINKS AND FAUCETS                      |
| <b>10</b> | OFFICE                                 |
| <b>11</b> | SLIDING DOORS SYSTEMS                  |
| <b>12</b> | GLASS HARDWARE                         |
| <b>13</b> | PANELS AND SURFACES                    |
| <b>14</b> | EDGE-BANDING                           |
| <b>15</b> | CABINET DOORS AND DRAWERS              |
| <b>16</b> | MOLDINGS, CORBELS AND WINE CELLARS     |
| <b>17</b> | GLUES, SILICONES, CAULK AND INSULATING |
| <b>18</b> | TOOLS AND SECURITY                     |
| <b>19</b> | FINISHING PRODUCTS AND ABRASIVES       |
| <b>20</b> | COMMERCIAL DISPLAY AND HARDWARE        |
| <b>21</b> | BUILDERS HARDWARE                      |

# Hinges I

## CLIP and CLIP top Hinges

### 110° Plus CLIP top BLUMOTION Hinges

- Hinge with larger overlay capacity for thick cabinet sides
- CLIP top BLUMOTION with integrated BLUMOTION (with deactivation option)
- CLIP top with or without closing mechanism (spring)
- All metal hinge, nickel plated
- 110° opening angle
- 3-dimensional front adjustment
- Convenient spiral-tech depth adjustment
- Tool-free door to cabinet assembly and removal
- With INSERTA tool-free hinge to door assembly

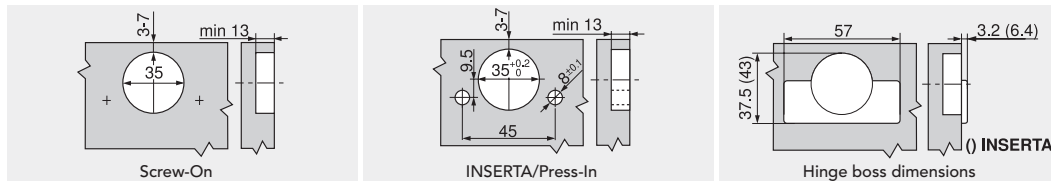


Minimum gap (F) for fronts with a front radius (R= 1 mm) based on the factory setting

| Drilling distance TB                  | Front thickness FS |      |      |      |      |      |      |      |      |      | 28                                    | 30 |  |  |
|---------------------------------------|--------------------|------|------|------|------|------|------|------|------|------|---------------------------------------|----|--|--|
|                                       | 16                 | 18   | 19   | 20   | 21   | 22   | 23   | 24   | 25   | 26   |                                       |    |  |  |
| 3                                     | 0.5                | 0.8  | 1.0  | 1.2  | 1.5  | 1.8  | 2.2  | 2.7  | 3.5  | 4.3  | In these cases a trial is recommended |    |  |  |
| 4                                     | 0.5                | 0.8  | 1.0  | 1.2  | 1.4  | 1.7  | 2.0  | 2.5  | 3.1  | 3.8  |                                       |    |  |  |
| 5                                     | 0.5                | 0.8  | 0.9  | 1.2  | 1.4  | 1.7  | 2.0  | 2.4  | 2.9  | 3.4  |                                       |    |  |  |
| 6                                     | 0.5                | 0.8  | 0.9  | 1.2  | 1.3  | 1.6  | 1.9  | 2.3  | 2.7  | 3.2  |                                       |    |  |  |
| 7                                     | 0.5                | 0.8  | 0.9  | 1.1  | 1.3  | 1.6  | 1.9  | 2.2  | 2.6  | 3.0  |                                       |    |  |  |
| Additional for + 2 mm side adjustment |                    |      |      |      |      |      |      |      |      |      |                                       |    |  |  |
|                                       | +0.2               | +0.4 | +0.4 | +0.5 | +0.5 | +0.5 | +0.5 | +0.5 | +0.5 | +0.5 |                                       |    |  |  |

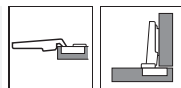
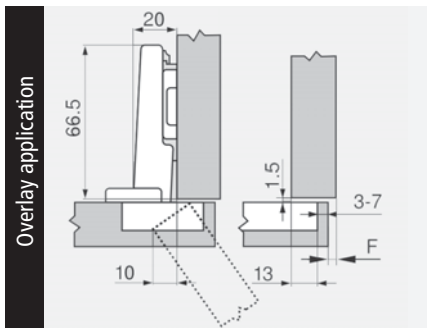
#### See also

|                     |                     |
|---------------------|---------------------|
| Cover caps          | See page 3B41       |
| Mounting plates     | See page 3B47 to 49 |
| BLUMOTION for doors | See page 3B2 to 9   |



#### Planning

Hinge dimensions and gap calculation based on factory setting (mounting plate spacing = 0 mm). Hinge and door protrusion at full opening angle.



Drilling distance

| Front overlay | Drilling distance |   |   |   |    |    |    |    |    |    |    |    |    |    |    |
|---------------|-------------------|---|---|---|----|----|----|----|----|----|----|----|----|----|----|
|               | -                 | 7 | 8 | 9 | 10 | 11 | 12 | 13 | 14 | 15 | 16 | 17 | 18 | 19 | 20 |
| 0             |                   |   |   |   |    |    |    |    |    |    | 3  | 4  | 5  | 6  | 7  |
| 3             |                   |   |   |   |    |    | 3  | 4  | 5  | 6  | 7  |    |    |    |    |
| 6             |                   |   |   | 3 | 4  | 5  | 6  | 7  |    |    |    |    |    |    |    |
| 9             | 3                 | 4 | 5 | 6 | 7  |    |    |    |    |    |    |    |    |    |    |

Mounting plate

Overlay applications

|          | Self close       |
|----------|------------------|
| Screw-On | <b>73B355180</b> |
| Press-In | <b>73B358180</b> |
| INSERTA  | <b>73B359180</b> |

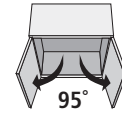
# Hinges I

## CLIP and CLIP top Hinges



### CLIP top BLUMOTION Hinge for Thick Door

- Hinge for thick doors and doors with profile
- CLIP top BLUMOTION with integrated BLUMOTION (with deactivation option)
- CLIP top with or without closing mechanism (spring)
- All metal hinge, nickel plated
- 95° opening angle
- 3-dimensional front adjustment
- Convenient spiral-tech depth adjustment
- Tool-free door to cabinet assembly and removal
- With INSERTA tool-free hinge to door assembly

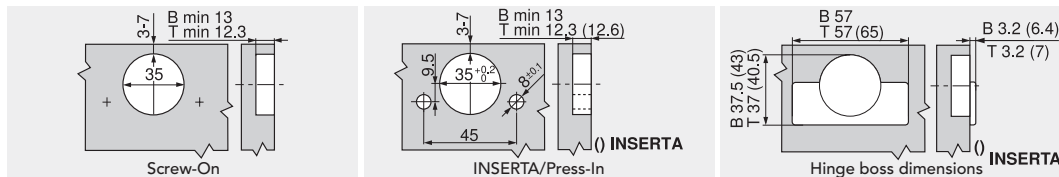


Minimum gap (F) for fronts with a front radius (R = 1 mm) based on the factory setting

| Drilling distance TB                  | Front thickness FS |      |      |      |      |      |      |      |      |      |      |      |
|---------------------------------------|--------------------|------|------|------|------|------|------|------|------|------|------|------|
|                                       | 16                 | 18   | 19   | 20   | 22   | 24   | 26   | 28   | 29   | 30   | 31   | 32   |
| 3                                     | 0.2                | 0.3  | 0.4  | 0.5  | 0.8  | 1.0  | 1.5  | 1.9  | 2.8  | 3.6  | 4.5  | 5.4  |
| 4                                     | 0.2                | 0.3  | 0.4  | 0.5  | 0.7  | 1.0  | 1.4  | 1.8  | 2.5  | 3.1  | 4.0  | 4.8  |
| 5                                     | 0.2                | 0.3  | 0.4  | 0.5  | 0.7  | 1.0  | 1.4  | 1.8  | 2.3  | 2.7  | 3.5  | 4.3  |
| 6                                     | 0.2                | 0.3  | 0.4  | 0.5  | 0.7  | 1.0  | 1.4  | 1.8  | 2.2  | 2.5  | 3.2  | 3.8  |
| 7                                     | 0.2                | 0.3  | 0.4  | 0.5  | 0.7  | 0.9  | 1.4  | 1.7  | 2.1  | 2.4  | 3.0  | 3.5  |
| Additional for + 2 mm side adjustment |                    |      |      |      |      |      |      |      |      |      |      |      |
|                                       | +0.1               | +0.2 | +0.2 | +0.2 | +0.3 | +0.4 | +0.4 | +0.5 | +0.4 | +0.4 | +0.4 | +0.3 |

#### See also

|                     |                     |
|---------------------|---------------------|
| Cover caps          | See page 3841       |
| Mounting plates     | See page 3847 to 49 |
| BLUMOTION for doors | See page 382 to 9   |



#### Planning

Hinge dimensions and gap calculation based on factory setting (mounting plate spacing = 0 mm). Hinge and door protrusion at full opening angle.

**Overlay application**

**Drilling distance**

| Front overlay |                                      |
|---------------|--------------------------------------|
|               |                                      |
| -             | 5 6 7 8 9 10 11 12 13 14 15 16 17 18 |
| 0             |                                      |
| 3             |                                      |
| 6             |                                      |
| 9             |                                      |

Mounting plate

**Overlay applications**

|          | Self close       |
|----------|------------------|
| Screw-On | <b>71B955180</b> |
| Press-In | <b>71B958180</b> |
| INSERTA  | <b>71B959180</b> |

**Dual application**

**Drilling distance**

| Front overlay |   |
|---------------|---|
|               |   |
| -             | 4.5 3.5 2.5 1.5 0.5 1.5 2.5 3.5 4.5 5.5 6.5 7.5 8.5 |
| 0             |   |
| 3             |   |
| 6             |   |
| 9             |   |

Mounting plate

**Dual applications**

|          | Self close       |
|----------|------------------|
| Screw-On | <b>71B965180</b> |
| Press-In | <b>71B968180</b> |
| INSERTA  | <b>71B969180</b> |

**Inset application**

**Drilling distance**

| Front overlay |  |
|---------------|--|
|               |  |
| -             |  |
| 0             |  |
| 3             |  |
| 6             |  |
| 9             |  |

Mounting plate

**Inset applications**

|          | Self close       |
|----------|------------------|
| Screw-On | <b>71B975180</b> |
| Press-In | <b>71B978180</b> |
| INSERTA  | <b>71B979180</b> |

CCRM 2018

- 1 SCREWS AND FASTENERS
- 2 FURNITURE EQUIPMENT
- 3 HINGES
- 4 SLIDES
- 5 CASTERS AND LEGS
- 6 KITCHEN SOLUTIONS
- 7 CLOSET SOLUTIONS
- 8 LIGHTING SOLUTIONS
- 9 SINKS AND FAUCETS
- 10 OFFICE
- 11 SLIDING DOORS SYSTEMS
- 12 GLASS HARDWARE
- 13 PANELS AND SURFACES
- 14 EDGE-BANDING
- 15 CABINET DOORS AND DRAWERS
- 16 MOLDINGS, CORBELS AND WINE CELLARS
- 17 GLUES, SILICONES, CAULK AND INSULATING
- 18 TOOLS AND SECURITY
- 19 FINISHING PRODUCTS AND ABRASIVES
- 20 COMMERCIAL DISPLAY AND HARDWARE
- 21 BUILDERS HARDWARE



# I Hinges I

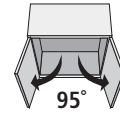
## CLIP and CLIP top Hinges



# Richelieu Section 3B

### CLIP top BLUMOTION Hinge for Blind Corner

- Hinge for blind corner applications
- CLIP top BLUMOTION with integrated BLUMOTION (with deactivation option)
- CLIP top without closing mechanism (spring)
- All metal hinge, nickel plated
- 95° opening angle
- 3-dimensional front adjustment
- Convenient spiral-tech depth adjustment
- Tool-free door to cabinet assembly and removal
- With INSERTA tool-free hinge to door assembly

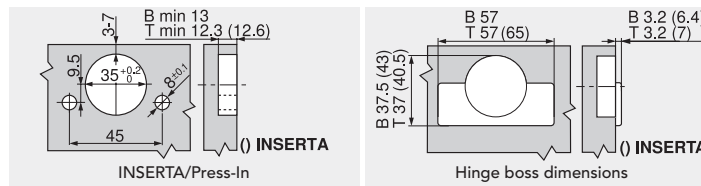


Minimum gap (F) for fronts with a front radius (R = 1 mm) based on the factory setting

| Drilling distance TB | Front thickness FS |     |     |     |     |     |     |     |                                       |    |    |    |
|----------------------|--------------------|-----|-----|-----|-----|-----|-----|-----|---------------------------------------|----|----|----|
|                      | 16                 | 18  | 19  | 20  | 22  | 24  | 26  | 28  | 29                                    | 30 | 31 | 32 |
| 3                    | 0.2                | 0.3 | 0.4 | 0.5 | 0.8 | 1.0 | 1.5 | 1.9 | In these cases a trial is recommended |    |    |    |
| 4                    | 0.2                | 0.3 | 0.4 | 0.5 | 0.7 | 1.0 | 1.4 | 1.8 |                                       |    |    |    |
| 5                    | 0.2                | 0.3 | 0.4 | 0.5 | 0.7 | 1.0 | 1.4 | 1.8 |                                       |    |    |    |
| 6                    | 0.2                | 0.3 | 0.4 | 0.5 | 0.7 | 1.0 | 1.4 | 1.8 |                                       |    |    |    |
| 7                    | 0.2                | 0.3 | 0.4 | 0.5 | 0.7 | 0.9 | 1.4 | 1.7 |                                       |    |    |    |

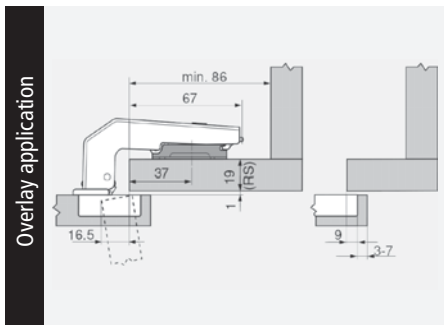
#### See also

|                     |                     |
|---------------------|---------------------|
| Cover caps          | See page 3B41       |
| Mounting plates     | See page 3B47 to 49 |
| BLUMOTION for doors | See page 3B2 to 9   |



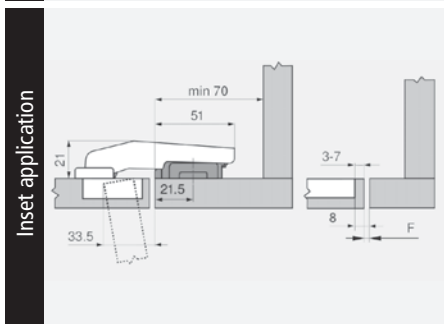
#### Planning

Hinge dimensions and gap calculation based on factory setting (mounting plate spacing = 3 mm). Hinge and door protrusion at full opening angle.



#### Overlay applications

|          | Self close       |
|----------|------------------|
| PRESS-IN | <b>79B998180</b> |



#### Inset applications

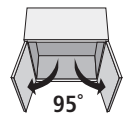
|          | Self close       |
|----------|------------------|
| Screw-On | <b>79B955180</b> |
| Press-In | <b>79B958180</b> |
| INSERTA  | <b>79B959180</b> |

# Hinges I

## CLIP and CLIP top Hinges

### CLIP top BLUMOTION Hinge for Aluminum Framed Door

- Hinge for narrow alu frame doors
- CLIP top BLUMOTION with integrated BLUMOTION (with deactivation option)
- 95° opening angle
- 3-dimensional front adjustment
- Convenient spiral-tech depth adjustment
- Tool-free door to cabinet assembly and removal
- Boss fixing screws are included



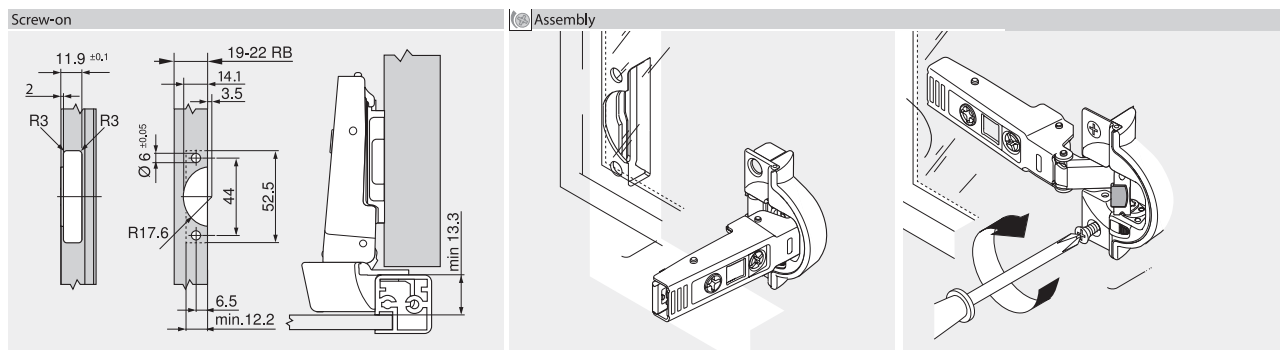
Minimum gap (F) for aluminum frame fronts (R=1 mm) based on the factory setting

| Side frame width RB                   | Frame thickness RS |      |      |      |      |      |    |    |    |    |    |    |
|---------------------------------------|--------------------|------|------|------|------|------|----|----|----|----|----|----|
|                                       | 18                 | 19   | 20   | 21   | 22   | 24   | 25 | 26 | 27 | 28 | 30 | 32 |
| 18                                    | 0.2                | 0.3  | 0.4  | 0.6  | 0.7  | 1.2  |    |    |    |    |    |    |
| 19                                    | 0.2                | 0.3  | 0.4  | 0.6  | 0.7  | 1.2  |    |    |    |    |    |    |
| 20                                    | 0.2                | 0.3  | 0.4  | 0.5  | 0.7  | 1.1  |    |    |    |    |    |    |
| 21                                    | 0.2                | 0.3  | 0.4  | 0.5  | 0.7  | 1.0  |    |    |    |    |    |    |
| 22                                    | 0.2                | 0.3  | 0.4  | 0.5  | 0.7  | 1.1  |    |    |    |    |    |    |
| Additional for + 2 mm side adjustment |                    |      |      |      |      |      |    |    |    |    |    |    |
|                                       | +0.1               | +0.2 | +0.3 | +0.3 | +0.3 | +0.4 |    |    |    |    |    |    |

In these cases a trial is recommended

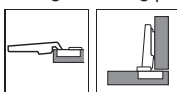
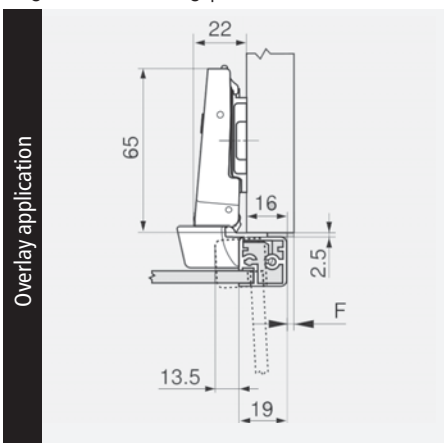
**See also**

|                     |                     |
|---------------------|---------------------|
| Cover caps          | See page 3B41       |
| Mounting plates     | See page 3B47 to 49 |
| BLUMOTION for doors | See page 3B2 to 9   |



**Planning**

Hinge dimensions and gap calculation based on factory setting (mounting plate spacing = 0 mm). Hinge and door protrusion at full opening angle.



**Overlay applications**

|          |                  |
|----------|------------------|
|          | Self close       |
| Screw-On | <b>71B950180</b> |

Overlay application

- 1 SCREWS AND FASTENERS
- 2 FURNITURE EQUIPMENT
- 3 HINGES
- 4 SLIDES
- 5 CASTERS AND LEGS
- 6 KITCHEN SOLUTIONS
- 7 CLOSET SOLUTIONS
- 8 LIGHTING SOLUTIONS
- 9 SINKS AND FAUCETS
- 10 OFFICE
- 11 SLIDING DOORS SYSTEMS
- 12 GLASS HARDWARE
- 13 PANELS AND SURFACES
- 14 EDGE-BANDING
- 15 CABINET DOORS AND DRAWERS
- 16 MOLDINGS, CORBELS AND WINE CELLARS
- 17 GLUES, SILICONES, CAULK AND INSULATING
- 18 TOOLS AND SECURITY
- 19 FINISHING PRODUCTS AND ABRASIVES
- 20 COMMERCIAL DISPLAY AND HARDWARE
- 21 BUILDERS HARDWARE

# I Hinges I

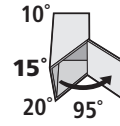
## CLIP and CLIP top Hinges



## Richelieu Section 3B

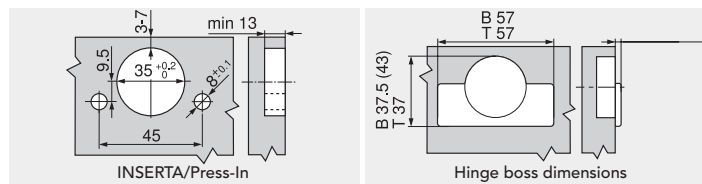
### 15° Angle CLIP top BLUMOTION Hinge

- CLIP top BLUMOTION with integrated BLUMOTION (with deactivation option)
- CLIP top without closing mechanism (spring)
- Convenient spiral-tech depth adjustment
- Tool-free door to cabinet assembly and removal
- With INSERTA tool-free hinge to door assembly
- Cabinet Angle: +10°, +15°, +20°
- All metal hinge, nickel plated
- +15° III angled hinge
- 95° opening angle 3-dimensional front adjustment



#### See also

|                     |                     |
|---------------------|---------------------|
| Cover caps          | See page 3B41       |
| Mounting plates     | See page 3B47 to 49 |
| BLUMOTION for doors | See page 3B2 to 9   |



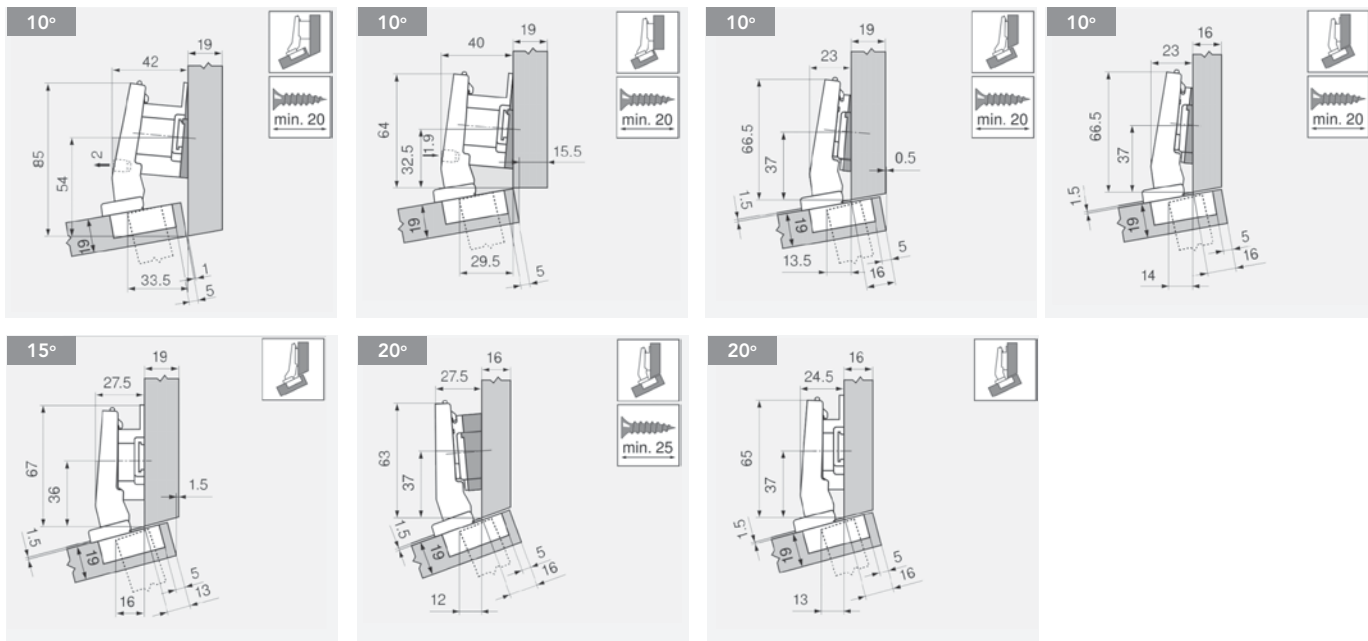
#### Planning

These dimensions are based on a 19 mm thick door and cabinet. Dimensions would need to be altered if thickness varied from 19 mm. In these cases a trial is recommended. Some applications require the mounting plate to be moved from the standard fixing positions.

#### Overlay applications

Self close

INSERTA **79B9494180**



# I Hinges I

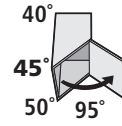
## CLIP and CLIP top Hinges



## Richelieu Section 3B

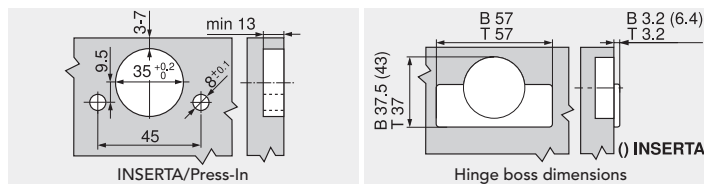
### 45° Angle I CLIP top BLUMOTION Hinge

- For corner cabinets with set back fronts
- CLIP top BLUMOTION with integrated BLUMOTION (with deactivation option)
- CLIP top without closing mechanism (spring)
- All metal hinge, nickel plated
- +45° I angled hinge
- 95° opening angle
- 3-dimensional front adjustment
- Convenient spiral-tech depth adjustment
- Tool-free door to cabinet assembly and removal
- With INSERTA tool-free hinge to door assembly
- Cabinet Angle: +40°, +45°, +50°



#### See also

|                     |                     |
|---------------------|---------------------|
| Cover caps          | See page 3B41       |
| Mounting plates     | See page 3B47 to 49 |
| BLUMOTION for doors | See page 3B2 to 9   |

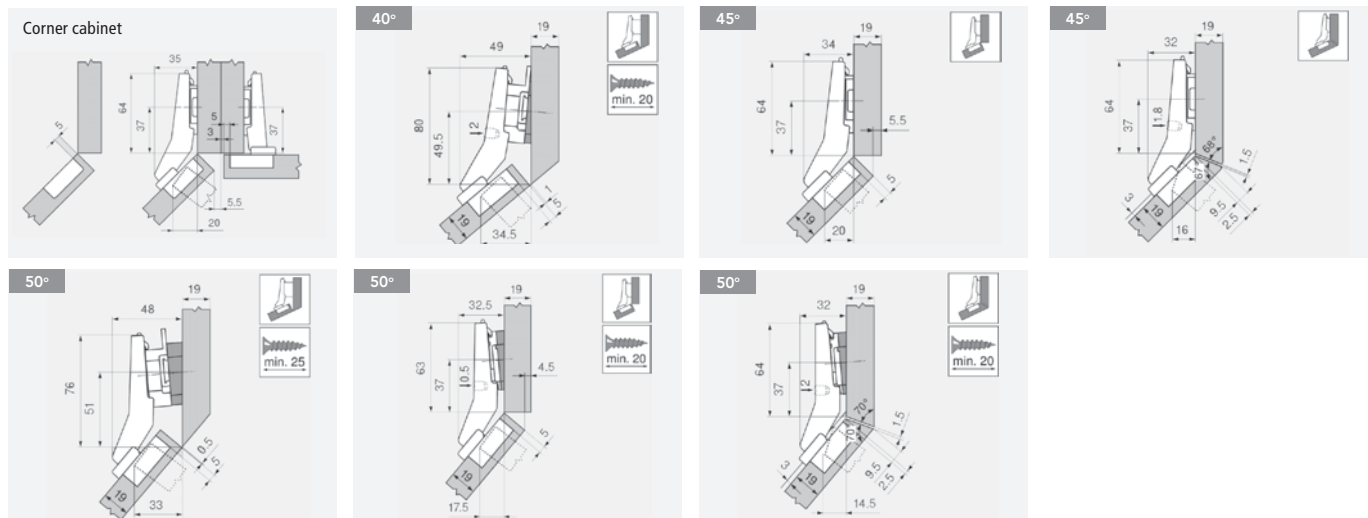


#### Planning

These dimensions are based on a 19 mm thick door and cabinet. Dimensions would need to be altered if thickness varied from 19 mm. In these cases a trial is recommended. Some applications require the mounting plate to be moved from the standard fixing positions.

#### Overlay applications

|          | Self close |
|----------|------------|
| INSERTA  | 79B9698180 |
| Screw-On | 79B9658180 |



- 1 SCREWS AND FASTENERS
- 2 FURNITURE EQUIPMENT
- 3 HINGES
- 4 SLIDES
- 5 CASTERS AND LEGS
- 6 KITCHEN SOLUTIONS
- 7 CLOSET SOLUTIONS
- 8 LIGHTING SOLUTIONS
- 9 SINKS AND FAUCETS
- 10 OFFICE
- 11 SLIDING DOORS SYSTEMS
- 12 GLASS HARDWARE
- 13 PANELS AND SURFACES
- 14 EDGE-BANDING
- 15 CABINET DOORS AND DRAWERS
- 16 MOLDINGS, CORBELS AND WINE CELLARS
- 17 GLUES, SILICONES, CAULK AND INSULATING
- 18 TOOLS AND SECURITY
- 19 FINISHING PRODUCTS AND ABRASIVES
- 20 COMMERCIAL DISPLAY AND HARDWARE
- 21 BUILDERS HARDWARE

# I Hinges I

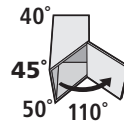
## CLIP and CLIP top Hinges



## Richelieu Section 3B

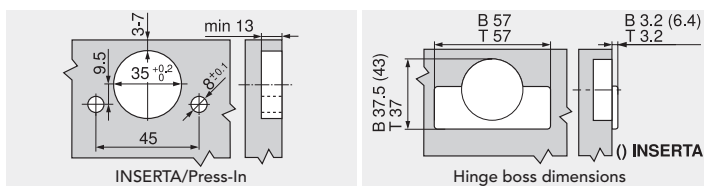
### 45° Angle II CLIP top BLUMOTION Hinge

- For corner cabinets with flush fronts
- CLIP top BLUMOTION with integrated BLUMOTION (with deactivation option)
- CLIP top without closing mechanism (spring)
- All metal hinge, nickel plated
- +45° II angled hinge
- 110° opening angle
- 3-dimensional front adjustment
- Convenient spiral-tech depth adjustment
- Tool-free door to cabinet assembly and removal
- With INSERTA tool-free hinge to door assembly
- Cabinet Angle: +45°, +50°



#### See also

|                     |                     |
|---------------------|---------------------|
| Cover caps          | See page 3B41       |
| Mounting plates     | See page 3B47 to 49 |
| BLUMOTION for doors | See page 3B2 to 9   |



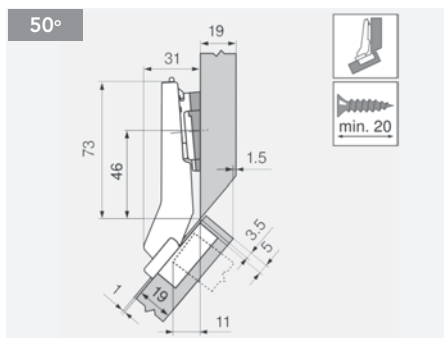
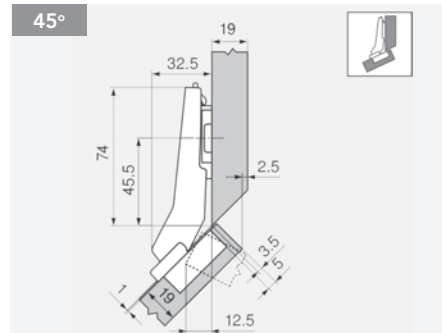
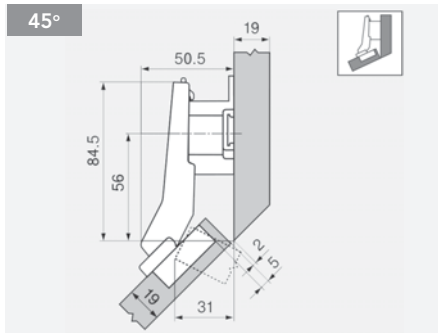
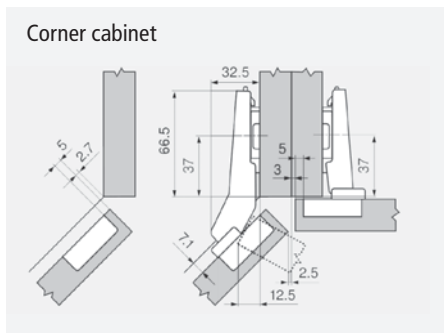
#### Planning

These dimensions are based on a 19 mm thick door and cabinet. Dimensions would need to be altered if thickness varied from 19 mm. In these cases a trial is recommended. Some applications require the mounting plate to be moved from the standard fixing positions.

#### Overlay applications

|         |                   |
|---------|-------------------|
|         | Self close        |
| INSERTA | <b>79B3598180</b> |

#### Planning



# Hinges I

## CLIP and CLIP top Hinges



# Richelieu Section 3B

### CLIP top 107°

- 107° opening angle
- 3-dimensional adjustment
- All metal hinge, nickel plated
- Available INSERTA tool-free attachment
- Standard packaging: Box of 250

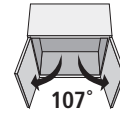
#### See also

|                     |                     |
|---------------------|---------------------|
| Cover caps          | See page 3B41       |
| Mounting plates     | See page 3B47 to 49 |
| BLUMOTION for doors | See page 3B2 to 9   |

#### Minimum reveal table

|                  |     |     |     |      |
|------------------|-----|-----|-----|------|
| 0.6              | 1.0 | 1.3 | 1.7 | 3    |
| 0.6              | 1.0 | 1.3 | 1.6 | 4    |
| 0.6              | 1.0 | 1.2 | 1.5 | 5    |
| 0.6              | 1.0 | 1.2 | 1.4 | 6    |
| 16               | 18  | 19  | 20  | B    |
| T Door thickness |     |     |     | Bore |

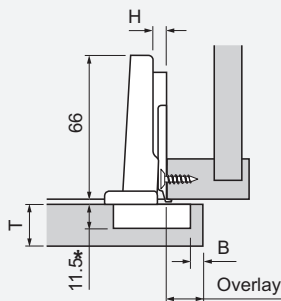
Cross-reference the door thickness and bore distance to assure that doors won't bind when opened.



For door thickness greater than 20 mm trial application recommended or use Thick door hinge (see page 3A35).

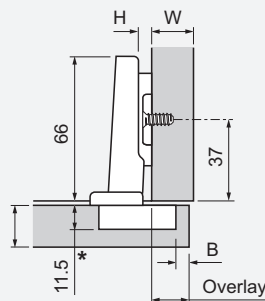
### Frame cabinet applications

#### Overlay door

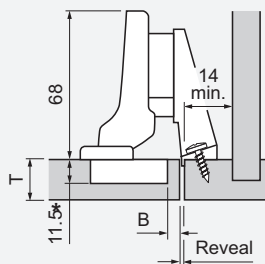


### Panel cabinet applications

#### Overlay door

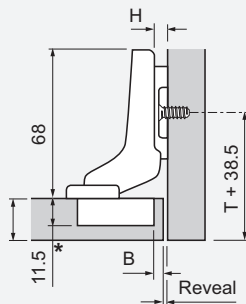


#### Inset door



Note: For INSERTA use a cup depth of 12

#### Inset door



### Straight-arm hinges

|          | Self close Full Overlay | Self close Half Overlay | Self close Inset |
|----------|-------------------------|-------------------------|------------------|
| Screw-On | 75T155180               | 75T165180               | 75T175180        |
| Press-In | 75T158180               | 75T168180               | 75T178180        |
| INSERTA  | 75T159180               | 75T169180               | 75T179180        |

#### Overlay table

|         |     |      |      |      |              |      |
|---------|-----|------|------|------|--------------|------|
| 0       | 14  | 15   | 16   | 17   | 10           | 21   |
| 3       | 11  | 12   | 13   | 14   | 13           | 24   |
| 4.5     | 9.5 | 10.5 | 11.5 | 12.5 | 14.5         | 25.5 |
| 6       | 8   | 9    | 10   | 11   | 16           | 27   |
| 9       | 5   | 6    | 7    | 8    | 19           | 30   |
| H Plate | 3   | 4    | 5    | 6    | P Clearances | S    |

11 fixed distance

NOTE: 4.5 plate only available for face frame, 9 plate only available for panel cabinets

- 1 SCREWS AND FASTENERS
- 2 FURNITURE EQUIPMENT
- 3 HINGES
- 4 SLIDES
- 5 CASTERS AND LEGS
- 6 KITCHEN SOLUTIONS
- 7 CLOSET SOLUTIONS
- 8 LIGHTING SOLUTIONS
- 9 SINKS AND FAUCETS
- 10 OFFICE
- 11 SLIDING DOORS SYSTEMS
- 12 GLASS HARDWARE
- 13 PANELS AND SURFACES
- 14 EDGE-BANDING
- 15 CABINET DOORS AND DRAWERS
- 16 MOLDINGS, CORBELS AND WINE CELLARS
- 17 GLUES, SILICONES, CAULK AND INSULATING
- 18 TOOLS AND SECURITY
- 19 FINISHING PRODUCTS AND ABRASIVES
- 20 COMMERCIAL DISPLAY AND HARDWARE
- 21 BUILDERS HARDWARE

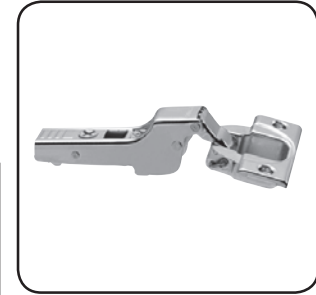
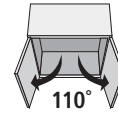


# Hinges I

## CLIP and CLIP top Hinges

### CLIP top Hinge 110°

- Hinge Opening Angle: +110°
- Hinge Type: CLIP top
- Use Type: Standard Door
- Cabinet Type: Frameless
- Door Thickness: Min. 5/8" (16 mm)
- Cabinet Thickness: Min. 5/8" (16 mm)
- Milling Diameter: 35 mm
- Milling Depth: 1/2" (13 mm)

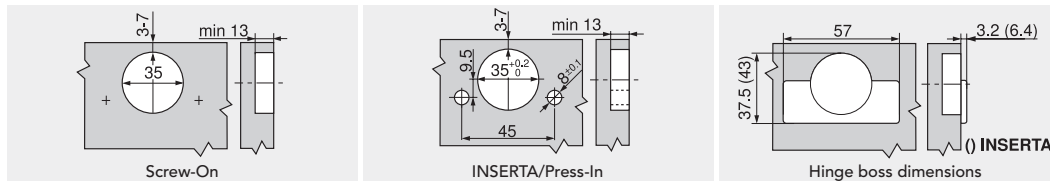


Minimum gap (F) for fronts with a front radius (R = 1 mm) based on the factory setting

| Drilling distance TB                  | Front thickness FS |      |      |      |      |      |      |      |      |      |                                       |    |
|---------------------------------------|--------------------|------|------|------|------|------|------|------|------|------|---------------------------------------|----|
|                                       | 16                 | 18   | 19   | 20   | 21   | 22   | 23   | 24   | 25   | 26   | 28                                    | 30 |
| 3                                     | 0.5                | 0.8  | 1.0  | 1.2  | 1.5  | 1.8  | 2.2  | 2.7  | 3.5  | 4.3  | In these cases a trial is recommended |    |
| 4                                     | 0.5                | 0.8  | 1.0  | 1.2  | 1.4  | 1.7  | 2.0  | 2.5  | 3.1  | 3.8  |                                       |    |
| 5                                     | 0.5                | 0.8  | 0.9  | 1.2  | 1.4  | 1.7  | 2.0  | 2.4  | 2.9  | 3.4  |                                       |    |
| 6                                     | 0.5                | 0.8  | 0.9  | 1.2  | 1.3  | 1.6  | 1.9  | 2.3  | 2.7  | 3.2  |                                       |    |
| 7                                     | 0.5                | 0.8  | 0.9  | 1.1  | 1.3  | 1.6  | 1.9  | 2.2  | 2.6  | 3.0  |                                       |    |
| Additional for + 2 mm side adjustment |                    |      |      |      |      |      |      |      |      |      |                                       |    |
|                                       | +0.2               | +0.4 | +0.4 | +0.5 | +0.5 | +0.5 | +0.5 | +0.5 | +0.5 | +0.5 |                                       |    |

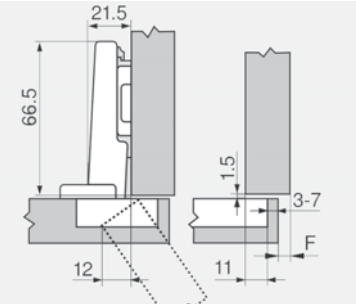
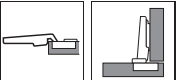
#### See also

|                     |                     |
|---------------------|---------------------|
| Cover caps          | See page 3B41       |
| Mounting plates     | See page 3B47 to 49 |
| BLUMOTION for doors | See page 3B2 to 9   |

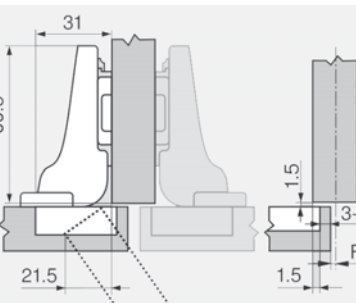
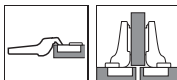


#### Planning

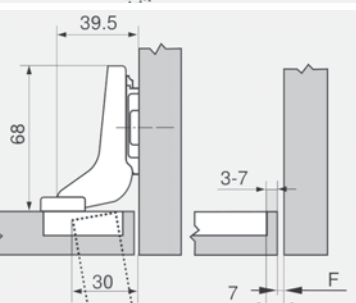
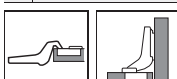
Hinge dimensions and gap calculation based on factory setting (mounting plate spacing = 0 mm). Hinge and door protrusion at full opening angle.

| Overlay application |  |  | Drilling distance |   |   |   |   |   |    |    |    |    |    |    |    |    |    |   |  |
|---------------------|--|--|-------------------|---|---|---|---|---|----|----|----|----|----|----|----|----|----|---|--|
|                     |  |  | Front overlay     |   |   |   |   |   |    |    |    |    |    |    |    |    |    |   |  |
|                     |  |  | -                 | 5 | 6 | 7 | 8 | 9 | 10 | 11 | 12 | 13 | 14 | 15 | 16 | 17 | 18 |   |  |
| 0                   |  |  |                   |   |   |   |   |   |    |    |    |    |    | 3  | 4  | 5  | 6  | 7 |  |
| 3                   |  |  |                   |   |   |   |   |   |    |    | 3  | 4  | 5  | 6  | 7  |    |    |   |  |
| 6                   |  |  |                   |   |   |   | 3 | 4 | 5  | 6  | 7  |    |    |    |    |    |    |   |  |
| 9                   |  |  | 3                 | 4 | 5 | 6 | 7 |   |    |    |    |    |    |    |    |    |    |   |  |
|                     |  |  | Mounting plate    |   |   |   |   |   |    |    |    |    |    |    |    |    |    |   |  |

| Dual application |  |  | Drilling distance |      |      |      |      |      |     |     |     |     |     |     |     |     |     |   |   |
|------------------|---|---|-------------------|------|------|------|------|------|-----|-----|-----|-----|-----|-----|-----|-----|-----|---|---|
|                  |   |   | Front overlay     |      |      |      |      |      |     |     |     |     |     |     |     |     |     |   |   |
|                  |   |   | -                 | -4.5 | -3.5 | -2.5 | -1.5 | -0.5 | 0.5 | 1.5 | 2.5 | 3.5 | 4.5 | 5.5 | 6.5 | 7.5 | 8.5 |   |   |
| 0                |   |   |                   |      |      |      |      |      |     |     |     |     |     |     | 3   | 4   | 5   | 6 | 7 |
| 3                |   |   |                   |      |      |      |      |      |     |     | 3   | 4   | 5   | 6   | 7   |     |     |   |   |
| 6                |   |   |                   |      |      |      | 3    | 4    | 5   | 6   | 7   |     |     |     |     |     |     |   |   |
| 9                |   |   | 3                 | 4    | 5    | 6    | 7    |      |     |     |     |     |     |     |     |     |     |   |   |
|                  |   |   | Mounting plate    |      |      |      |      |      |     |     |     |     |     |     |     |     |     |   |   |

| Inset application |  |  | Drilling distance |  |  |  |  |    |    |    |    |   |
|-------------------|---|---|-------------------|--|--|--|--|----|----|----|----|---|
|                   |   |   | Front overlay     |  |  |  |  |    |    |    |    |   |
|                   |   |   |                   |  |  |  |  |    |    |    |    |   |
| 0                 |   |   |                   |  |  |  |  | -4 | -3 | -2 | -1 | 0 |
| 3                 |   |   |                   |  |  |  |  | 3  | 4  | 5  | 6  | 7 |
| 6                 |   |   |                   |  |  |  |  |    |    |    |    |   |
| 9                 |   |   |                   |  |  |  |  |    |    |    |    |   |
|                   |   |   | Mounting plate    |  |  |  |  |    |    |    |    |   |

| Overlay applications |                  |                  |
|----------------------|------------------|------------------|
|                      | Self close       | Free swing       |
| Screw-On             | <b>71T355180</b> | <b>70T355180</b> |
| Press-In             | <b>71T358180</b> | <b>70T358180</b> |
| INSERTA              | <b>71T359180</b> | <b>70T359180</b> |

| Dual applications |                  |                  |
|-------------------|------------------|------------------|
|                   | Self close       | Free swing       |
| Screw-On          | <b>71T365180</b> | <b>70T365180</b> |
| Press-In          | <b>71T368180</b> | -                |
| INSERTA           | <b>71T369180</b> | <b>70T369180</b> |

| Inset applications |                  |            |
|--------------------|------------------|------------|
|                    | Self close       | Free swing |
| Screw-On           | <b>71T375180</b> | -          |
| INSERTA            | <b>71T379180</b> | -          |
| Press-In           | <b>71T378180</b> | -          |

CCRM 2018

# I Hinges I

## CLIP and CLIP top Hinges



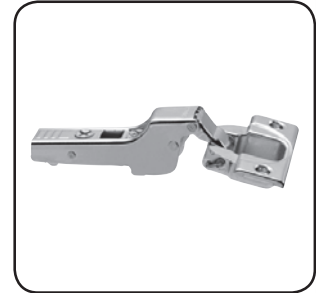
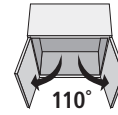
## Richelieu Section 3B

### CLIP top Hinge 110°+

- Hinge Opening Angle: +110°
- Hinge Type: CLIP top
- Use Type: Standard Door
- Cabinet Type: Frameless
- Door Position: Full Overlay
- Door Thickness: Min. 5/8" (16 mm)
- Cabinet Thickness: Min. 3/4" (19 mm)
- Milling Diameter: 35 mm
- Milling Depth: 1/2" (13 mm)

#### See also

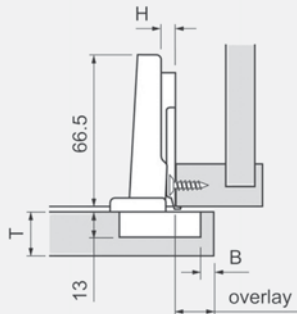
|                     |                     |
|---------------------|---------------------|
| Cover caps          | See page 3B41       |
| Mounting plates     | See page 3B47 to 49 |
| BLUMOTION for doors | See page 3B2 to 9   |



- 1 SCREWS AND FASTENERS
- 2 FURNITURE EQUIPMENT
- 3 HINGES**
- 4 SLIDES
- 5 CASTERS AND LEGS
- 6 KITCHEN SOLUTIONS
- 7 CLOSET SOLUTIONS
- 8 LIGHTING SOLUTIONS
- 9 SINKS AND FAUCETS
- 10 OFFICE
- 11 SLIDING DOORS SYSTEMS
- 12 GLASS HARDWARE
- 13 PANELS AND SURFACES
- 14 EDGE-BANDING
- 15 CABINET DOORS AND DRAWERS
- 16 MOLDINGS, CORBELS AND WINE CELLARS
- 17 GLUES, SILICONES, CAULK AND INSULATING
- 18 TOOLS AND SECURITY
- 19 FINISHING PRODUCTS AND ABRASIVES
- 20 COMMERCIAL DISPLAY AND HARDWARE
- 21 BUILDERS HARDWARE

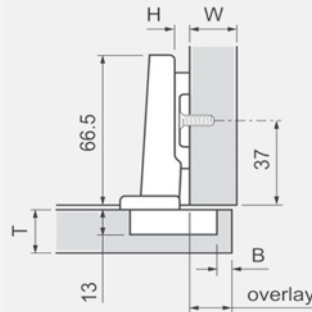
#### Frame cabinet applications

##### Overlay door



#### Panel cabinet applications

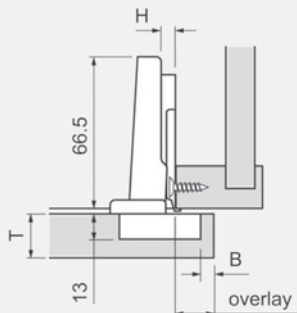
##### Overlay door



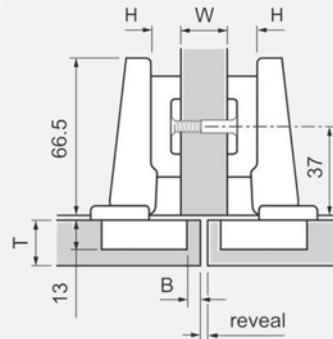
#### Overlay applications

|          | Self close       |
|----------|------------------|
| Screw-On | <b>73T355180</b> |
| Press-In | <b>73T358180</b> |
| INSERTA  | <b>73T359180</b> |

##### Partial overlay door



##### Twin overlay doors



# I Hinges I

## CLIP and CLIP top Hinges



### CLIP top 120°

- 120° opening angle
- 3-dimensional adjustment
- All metal hinge, nickel plated
- Available INSERTA tool-free attachment
- Standard packaging: Box of 50/250

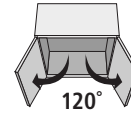
#### See also

|                     |                     |
|---------------------|---------------------|
| Cover caps          | See page 3B41       |
| Mounting plates     | See page 3B47 to 49 |
| BLUMOTION for doors | See page 3B2 to 9   |

#### Minimum reveal table

|                  |     |     |     |     |      |
|------------------|-----|-----|-----|-----|------|
| 1.2              | 1.7 | 2.0 | 2.4 | 3.3 | 3    |
| 1.2              | 1.7 | 2.0 | 2.3 | 3.1 | 4    |
| 1.1              | 1.6 | 1.9 | 2.2 | 3.0 | 5    |
| 1.1              | 1.6 | 1.9 | 2.2 | 2.9 | 6    |
| 16               | 18  | 19  | 20  | 22  | B    |
| T Door thickness |     |     |     |     | Bore |

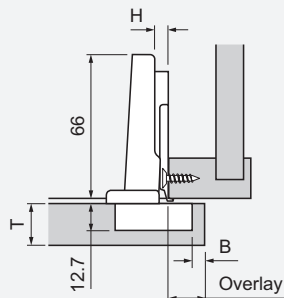
Cross-reference the door thickness and bore distance to assure that doors won't bind when opened.



For door thickness greater than 22 mm trial application recommended or use Thick door hinge (see page 3A35).

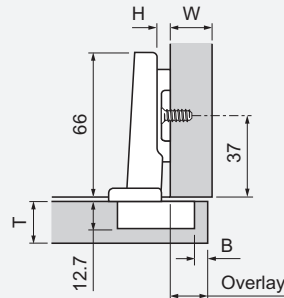
### Frame cabinet applications

#### Overlay door



### Panel cabinet applications

#### Overlay door



#### Straight-arm hinges

|          |            |
|----------|------------|
|          | Self close |
| Screw-On | 71T555180  |
| Press-In | 71T558180  |
| INSERTA  | 71T559180  |

#### Overlay table

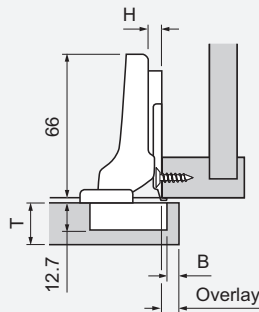
|         |                 |      |      |      |           |      |
|---------|-----------------|------|------|------|-----------|------|
| 0       | 14              | 15   | 16   | 17   | 11.5      | 20.5 |
| 3       | 11              | 12   | 13   | 14   | 14.5      | 23.5 |
| 4.5     | 9.5             | 10.5 | 11.5 | 12.5 | 16        | 25   |
| 6       | 8               | 9    | 10   | 11   | 17.5      | 26.5 |
| 9       | 5               | 6    | 7    | 8    | 20.5      | 29.5 |
| H Plate | 3               | 4    | 5    | 6    | P         | S    |
|         | B Bore distance |      |      |      | Clearance |      |

11 fixed distance

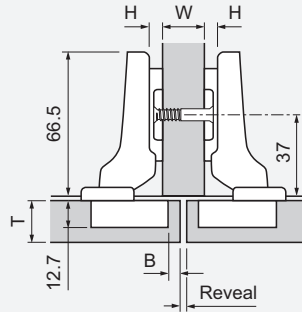
#### NOTE:

4.5 plate only available for face frame, 9 plate only available for panel cabinets

### Partial overlay door



### Twin overlay doors



#### Half-cranked hinges (9.5mm)

|          |            |
|----------|------------|
|          | Self close |
| Screw-On | 71T565180  |
| Press-In | 71T568180  |
| INSERTA  | 71T569180  |

#### Overlay table

|         |                 |     |     |     |            |    |
|---------|-----------------|-----|-----|-----|------------|----|
| 0       | 4.5             | 5.5 | 6.5 | 7.5 | 21.5       | 30 |
| H Plate | 3               | 4   | 5   | 6   | P          | S  |
|         | B Bore distance |     |     |     | Clearances |    |

1.5 fixed distance

#### Reveal table

|         |                 |   |   |   |            |      |    |
|---------|-----------------|---|---|---|------------|------|----|
| 0       | 7               | 5 | 3 | 1 | 16         | 21.5 | 30 |
|         | 10              | 8 | 6 | 4 | 19         |      |    |
| H Plate | 3               | 4 | 5 | 6 | W          | P    | S  |
|         | B Bore distance |   |   |   | Clearances |      |    |

NOTE: On frame application use a half-cranked hinge from above and mounting plate 175H503021180

# Hinges I

## CLIP and CLIP top Hinges

### CLIP top 120°+

- 120° opening angle
- For larger overlays (max. 21mm)
- 3-dimensional adjustment
- All metal hinge, nickel plated
- Available INSERTA tool-free attachment
- Standard packaging: Box of 50/250

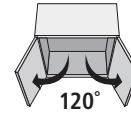
#### See also

|                     |                     |
|---------------------|---------------------|
| Cover caps          | See page 3B41       |
| Mounting plates     | See page 3B47 to 49 |
| BLUMOTION for doors | See page 3B2 to 9   |

#### Minimum reveal table

|     |                |     |     |     |      |
|-----|----------------|-----|-----|-----|------|
| 1.2 | 1.7            | 2.0 | 2.4 | 3.3 | 3    |
| 1.2 | 1.7            | 2.0 | 2.3 | 3.1 | 4    |
| 1.1 | 1.6            | 1.9 | 2.2 | 3.0 | 5    |
| 1.1 | 1.6            | 1.9 | 2.2 | 2.9 | 6    |
| 16  | 18             | 19  | 20  | 22  | B    |
| T   | Door thickness |     |     |     | Bore |

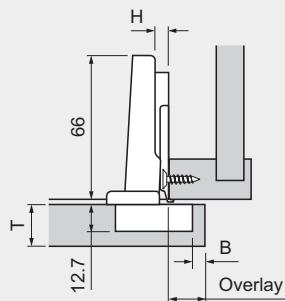
Cross-reference the door thickness and bore distance to assure that doors won't bind when opened.



For door thickness greater than 22 mm trial application recommended or use Thick door hinge (see page 3A35).

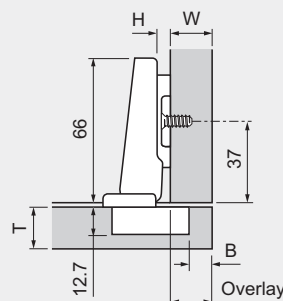
### Frame cabinet applications

#### Overlay door




### Panel cabinet applications

#### Overlay door



### Straight-arm hinges

|  | Self close |
|--|------------|
| Screw-On   | 73T555180  |
| Press-In  | 73T558180  |
| INSERTA  | 73T559180  |

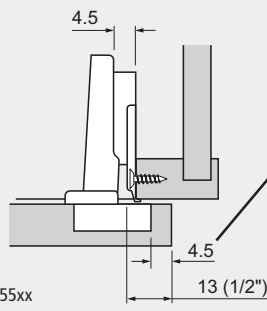
| Overlay table |                 |      |      |      |             |      |
|---------------|-----------------|------|------|------|-------------|------|
| 0             | 16              | 17   | 18   | 19   | 9.5         | 19   |
| 3             | 13              | 14   | 15   | 16   | 12.5        | 22   |
| 4.5           | 11.5            | 12.5 | 13.5 | 14.5 | 14          | 23.5 |
| 6             | 10              | 11   | 12   | 13   | 15.5        | 25   |
| 9             | 7               | 8    | 9    | 10   | 18.5        | 28   |
| H Plate       | 3               | 4    | 5    | 6    | P Clearance | S    |
|               | B Bore distance |      |      |      |             |      |

**NOTE:**  
4.5 plate only available for face frame, 9 plate only available for panel cabinets

13 fixed distance

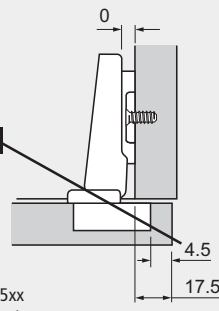
### Building both frame and panel cabinets

#### Frame



Hinge: 73T55xx  
Plate: 175L603021180

#### Panel



Hinge: 73T55xx  
Plate: any 0 plate

Same boring distance

The most common overlays for frame and panel cabinets can be achieved by using the same machine setting for hinge cup boring.

Bore ALL doors at 4.5mm:  
- 13mm (1/2") overlay on frame cabinets and  
- 17.5mm overlay on panel cabinets

This can be achieved using hinge/plate combinations to the left.

#### Advantages:

- Only one machine setting for boring all doors (4.5mm)
- Same hinge used for both applications (73T55xx)

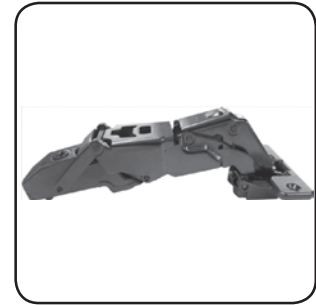
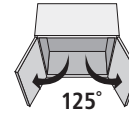
- 1 SCREWS AND FASTENERS
- 2 FURNITURE EQUIPMENT
- 3 HINGES
- 4 SLIDES
- 5 CASTERS AND LEGS
- 6 KITCHEN SOLUTIONS
- 7 CLOSET SOLUTIONS
- 8 LIGHTING SOLUTIONS
- 9 SINKS AND FAUCETS
- 10 OFFICE
- 11 SLIDING DOORS SYSTEMS
- 12 GLASS HARDWARE
- 13 PANELS AND SURFACES
- 14 EDGE-BANDING
- 15 CABINET DOORS AND DRAWERS
- 16 MOLDINGS, CORBELS AND WINE CELLARS
- 17 GLUES, SILICONES, CAULK AND INSULATING
- 18 TOOLS AND SECURITY
- 19 FINISHING PRODUCTS AND ABRASIVES
- 20 COMMERCIAL DISPLAY AND HARDWARE
- 21 BUILDERS HARDWARE

# I Hinges I

## CLIP and CLIP top Hinges

### CLIP top 125° Zero Protrusion for Thick Door Hinge

- Hinge Opening Angle: +125°
- Hinge Type: CLIP top
- Use Type: Zero Protrusion Door
- Fixing Type: Screw-On
- Door Position: Overlay



#### See also

|                     |                     |
|---------------------|---------------------|
| Cover caps          | See page 3B41       |
| Mounting plates     | See page 3B47 to 49 |
| BLUMOTION for doors | See page 3B2 to 9   |

Minimum gap (F) for fronts with a front radius (R = 1 mm) based on the factory setting

| Drilling distance TB | Front thickness FS |    |    |    |    |    |    |    |    |    |    |    |     |
|----------------------|--------------------|----|----|----|----|----|----|----|----|----|----|----|-----|
|                      | 20                 | 21 | 22 | 23 | 24 | 25 | 26 | 27 | 28 | 29 | 30 | 31 | 32  |
| 3                    | 0                  | 0  | 0  | 0  | 0  | 0  | 0  | 0  | 0  | 0  | 0  | 0  | 0.1 |
| 4                    | 0                  | 0  | 0  | 0  | 0  | 0  | 0  | 0  | 0  | 0  | 0  | 0  | 0.1 |
| 5                    | 0                  | 0  | 0  | 0  | 0  | 0  | 0  | 0  | 0  | 0  | 0  | 0  | 0.1 |
| 6                    | 0                  | 0  | 0  | 0  | 0  | 0  | 0  | 0  | 0  | 0  | 0  | 0  | 0.1 |
| 7                    | 0                  | 0  | 0  | 0  | 0  | 0  | 0  | 0  | 0  | 0  | 0  | 0  | 0.2 |
| 8                    | 0                  | 0  | 0  | 0  | 0  | 0  | 0  | 0  | 0  | 0  | 0  | 0  | 0.3 |

92° Opening angle stop

### Frame cabinet applications

**Drilling distance**

| Front overlay | Number of hinges |   |   |   |   |    |    |    |    |    |    |    |    |    |    |   |   |   |  |
|---------------|------------------|---|---|---|---|----|----|----|----|----|----|----|----|----|----|---|---|---|--|
|               | 5                | 6 | 7 | 8 | 9 | 10 | 11 | 12 | 13 | 14 | 15 | 16 | 17 | 18 | 19 |   |   |   |  |
| 0             |                  |   |   |   |   |    |    |    |    |    |    |    | 3  | 4  | 5  | 6 | 7 | 8 |  |
| 3             |                  |   |   |   |   |    |    |    |    |    |    |    | 3  | 4  | 5  | 6 | 7 | 8 |  |
| 6             |                  |   |   | 3 | 4 | 5  | 6  | 7  | 8  |    |    |    |    |    |    |   |   |   |  |
| 9             | 3                | 4 | 5 | 6 | 7 | 8  |    |    |    |    |    |    |    |    |    |   |   |   |  |

Mounting plate

**Number of hinges**

The number of hinges depends on the door height and weight. To achieve good stability, the hinge spacing distance should be as large as possible. Load and height specifications are based on a standard door width of 600 mm.

Minimum gap (F) for fronts with a front radius (R = 1 mm) based on the factory setting

| Drilling distance TB | Front thickness FS |    |    |    |    |    |    |    |    |    |    |    |     |
|----------------------|--------------------|----|----|----|----|----|----|----|----|----|----|----|-----|
|                      | 20                 | 21 | 22 | 23 | 24 | 25 | 26 | 27 | 28 | 29 | 30 | 31 | 32  |
| 3                    | 0                  | 0  | 0  | 0  | 0  | 0  | 0  | 0  | 0  | 0  | 0  | 0  | 0.1 |
| 4                    | 0                  | 0  | 0  | 0  | 0  | 0  | 0  | 0  | 0  | 0  | 0  | 0  | 0.1 |
| 5                    | 0                  | 0  | 0  | 0  | 0  | 0  | 0  | 0  | 0  | 0  | 0  | 0  | 0.1 |
| 6                    | 0                  | 0  | 0  | 0  | 0  | 0  | 0  | 0  | 0  | 0  | 0  | 0  | 0.1 |
| 7                    | 0                  | 0  | 0  | 0  | 0  | 0  | 0  | 0  | 0  | 0  | 0  | 0  | 0.2 |
| 8                    | 0                  | 0  | 0  | 0  | 0  | 0  | 0  | 0  | 0  | 0  | 0  | 0  | 0.3 |

92° Opening angle stop

**Adjustments**

max. ± 3.0 mm  
See mounting plates

± 2.0 mm

+ 3.0 mm  
- 2.0 mm

We recommend a trial application for an overlay application adjacent to the wall.

| Overlay Application |            |
|---------------------|------------|
|                     | Self close |
| Screw-On            | 71T750D180 |
| Press-In            | 71T753D180 |

**Number of hinges**

The number of hinges depends on the door height and weight. To achieve good stability, the hinge spacing distance should be as large as possible. Load and height specifications are based on a standard door width of 600 mm.

# I Hinges I

## CLIP and CLIP top Hinges

### CLIP top Hinge Zero Protrusion 155°

CLIP top hinge with 155° opening angle. Overlay door. Screw-On case, made of steel, self-closing. 3-dimensional adjustment. Hinge with zero protrusion for cabinets with interior drawers. Spiral tech depth adjustment of plus 3 mm and minus 2 mm.

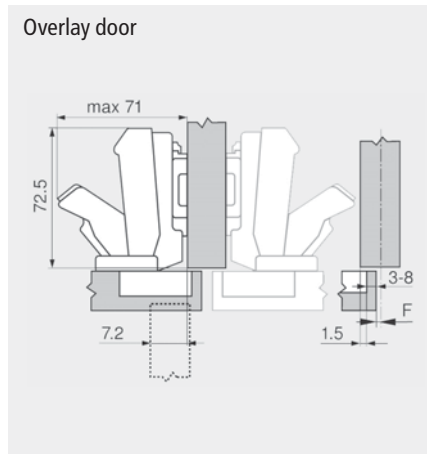
- Hinge Opening Angle: +155°
- Hinge Type: CLIP top
- Use Type: Zero Protrusion Door
- Cabinet Type: Frameless
- Door Position: For Special Application, Inset, Dual Application / Half Overlay, Corner / Bi-Fold, Overlay
- Door Thickness: Min. 5/8" (16 mm)
- Cabinet Thickness: Min. 3/4" (19 mm)
- Closing Mechanism: Self-Closing
- Milling Diameter: 35 mm
- Milling Depth: 15/32" (12 mm)

**See also**

|                     |                     |
|---------------------|---------------------|
| Cover caps          | See page 3B41       |
| Mounting plates     | See page 3B47 to 49 |
| BLUMOTION for doors | See page 3B2 to 9   |



### CLIP/CLIP top: theoretical space requirement for assembly/removal



| Straight-arm hinges |            |
|---------------------|------------|
|                     | Self close |
| Screw-On            | 71T750N180 |
| Press-In            | 71T753N180 |
| INSERTA             | 71T754N180 |

- 1 SCREWS AND FASTENERS
- 2 FURNITURE EQUIPMENT
- 3 HINGES
- 4 SLIDES
- 5 CASTERS AND LEGS
- 6 KITCHEN SOLUTIONS
- 7 CLOSET SOLUTIONS
- 8 LIGHTING SOLUTIONS
- 9 SINKS AND FAUCETS
- 10 OFFICE
- 11 SLIDING DOORS SYSTEMS
- 12 GLASS HARDWARE
- 13 PANELS AND SURFACES
- 14 EDGE-BANDING
- 15 CABINET DOORS AND DRAWERS
- 16 MOLDINGS, CORBELS AND WINE CELLARS
- 17 GLUES, SILICONES, CAULK AND INSULATING
- 18 TOOLS AND SECURITY
- 19 FINISHING PRODUCTS AND ABRASIVES
- 20 COMMERCIAL DISPLAY AND HARDWARE
- 21 BUILDERS HARDWARE

# I Hinges I

## CLIP and CLIP top Hinges



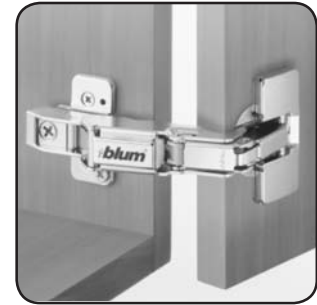
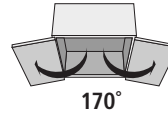
### CLIP top 170°

- 170° opening angle
- 3-dimensional adjustment
- All metal hinge, nickel plated
- Available INSERTA tool-free attachment
- Standard packaging: Box of 25/125

Minimum reveal table

|                  |    |    |    |     |     |      |
|------------------|----|----|----|-----|-----|------|
| 0                | 0  | 0  | 0  | 0.2 | 2.2 | 3    |
| 0                | 0  | 0  | 0  | 0   | 1.4 | 4    |
| 0                | 0  | 0  | 0  | 0   | 0.9 | 5    |
| 0                | 0  | 0  | 0  | 0   | 0   | 6    |
| 0                | 0  | 0  | 0  | 0   | 0   | 7    |
| 0                | 0  | 0  | 0  | 0   | 0   | 8    |
| 16               | 18 | 19 | 20 | 22  | 24  | B    |
| T Door thickness |    |    |    |     |     | Bore |

Cross-reference the door thickness and bore distance to assure that doors won't bind when opened.

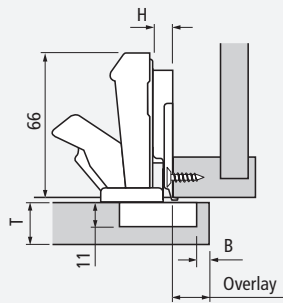


See also

|                     |                     |
|---------------------|---------------------|
| Cover caps          | See page 3B41       |
| Mounting plates     | See page 3B47 to 49 |
| BLUMOTION for doors | See page 3B2 to 9   |

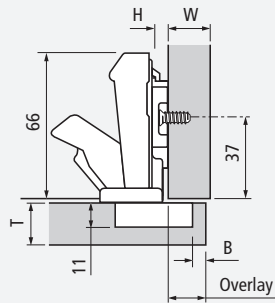
### Frame cabinet applications

Overlay door




### Panel cabinet applications

Overlay door



### Straight-arm hinges

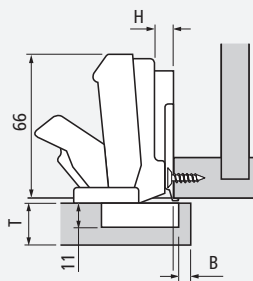
|  | Self close     | Free swing |
|--|----------------|------------|
| Screw-On   | 71T655180      | 70T655180  |
| Screw-On with plate  | 71T65523180VST | -          |
| Press-In  | 71T658180      | -          |
| INSERTA  | 71T654180      | 70T654180  |

| 0       | 14              | 15   | 16   | 17   | 18   | 19   | 1.5        | 65   |
|---------|-----------------|------|------|------|------|------|------------|------|
| 3       | 11              | 12   | 13   | 14   | 15   | 16   | 4.5        | 68   |
| 4.5     | 9.5             | 10.5 | 11.5 | 12.5 | 13.5 | 14.5 | 6          | 69.5 |
| 6       | 8               | 9    | 10   | 11   | 12   | 13   | 7.5        | 71   |
| 9       | 5               | 6    | 7    | 8    | 9    | 10   | 10.5       | 74   |
| H Plate | 3               | 4    | 5    | 6    | 7    | 8    | P          | S    |
|         | B Bore distance |      |      |      |      |      | Clearances |      |

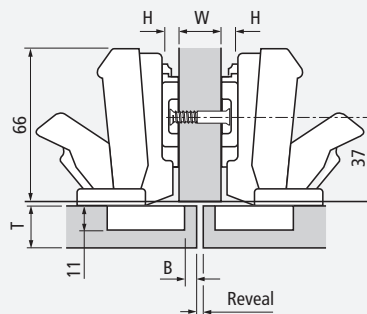
11 fixed distance

NOTE: 4.5 plate only available for face frame, 9 plate only available for panel cabinets

Partial overlay door



Twin overlay doors



### Half-cranked hinges (9.5mm)

|  | Self close | Free swing |
|--|------------|------------|
| Screw-On   | 71T665180  | 70T665180  |
| Press-In  | 71T668180  | -          |
| INSERTA  | 71T664180  | -          |

| 0       | 4.5             | 5.5 | 6.5 | 7.5 | 8.5 | 9.5 | 11         | 75 |
|---------|-----------------|-----|-----|-----|-----|-----|------------|----|
| H Plate | 3               | 4   | 5   | 6   | 7   | 8   | P          | S  |
|         | B Bore distance |     |     |     |     |     | Clearances |    |

1.5 fixed distance

| 0       | 7               | 5 | 3 | 1 | - | - | 16         | 11 | 75 |
|---------|-----------------|---|---|---|---|---|------------|----|----|
|         | 10              | 8 | 6 | 4 | 2 | 0 | 19         |    |    |
| H Plate | 3               | 4 | 5 | 6 | 7 | 8 | W Panel    | P  | S  |
|         | B Bore distance |   |   |   |   |   | Clearances |    |    |

NOTE: On frame application use a half-cranked hinge from above and mounting plate 175H503021180



# Hinges I

## CLIP and CLIP top Hinges

### Angle Restriction for 170° CLIP top

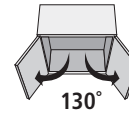
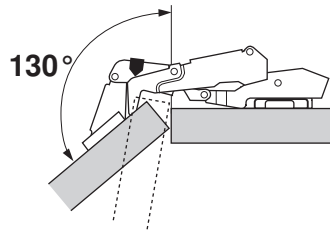
- Reduces opening angle of the CLIP top 170° to 130°
- Required for special applications of the 170° hinge
- Installs quickly and easily without tools

#### ANGLE RESTRICTION CLIP

| PRODUCT  | QTY/BOX |
|----------|---------|
| 70610390 | 250     |

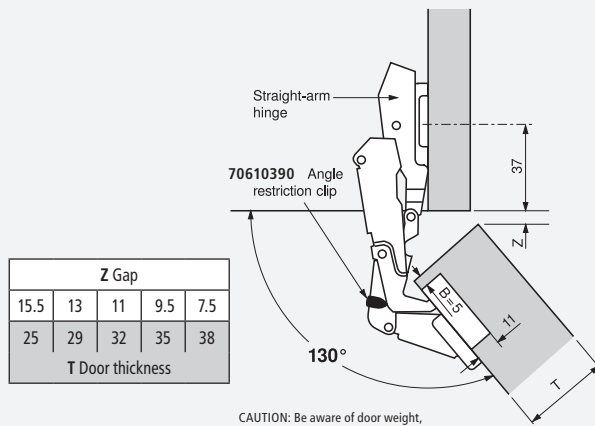
See also

|                     |                     |
|---------------------|---------------------|
| Cover caps          | See page 3B41       |
| Mounting plates     | See page 3B47 to 49 |
| BLUMOTION for doors | See page 3B2 to 9   |



### Applications

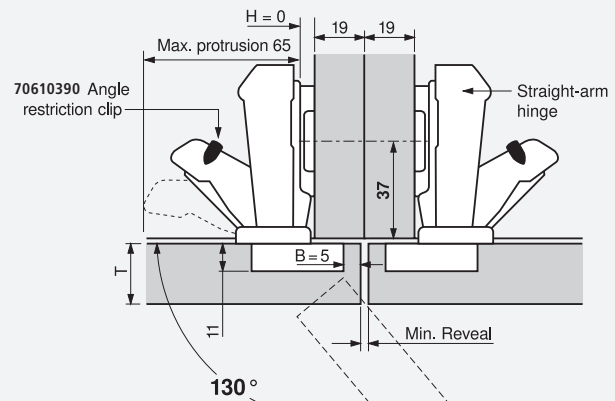
#### Thick door application



CAUTION: Be aware of door weight, see «General Specifications» page for number of hinges per door.

Trial application recommended

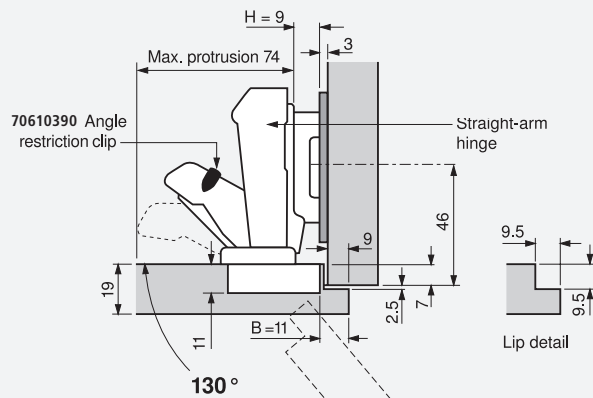
#### Thick door - twin application



| Minimum reveal table |     |      |    |
|----------------------|-----|------|----|
| 0                    | 6.5 | 14.5 | 21 |
| T Door thickness     |     |      |    |

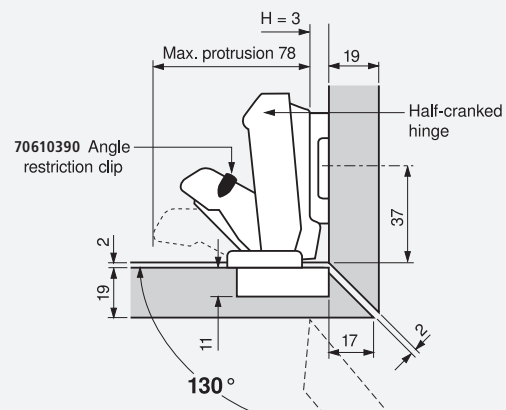
Trial application recommended

#### Lip door application



Trial application recommended

#### Mitered corner door application



Trial application recommended

CCRM 2018

|    |  |
|----|--|
| 1  | SCREWS AND FASTENERS                   |
| 2  | FURNITURE EQUIPMENT                    |
| 3  | HINGES                                 |
| 4  | SLIDES                                 |
| 5  | CASTERS AND LEGS                       |
| 6  | KITCHEN SOLUTIONS                      |
| 7  | CLOSET SOLUTIONS                       |
| 8  | LIGHTING SOLUTIONS                     |
| 9  | SINKS AND FAUCETS                      |
| 10 | OFFICE                                 |
| 11 | SLIDING DOORS SYSTEMS                  |
| 12 | GLASS HARDWARE                         |
| 13 | PANELS AND SURFACES                    |
| 14 | EDGE-BANDING                           |
| 15 | CABINET DOORS AND DRAWERS              |
| 16 | MOLDINGS, CORBELS AND WINE CELLARS     |
| 17 | GLUES, SILICONES, CAULK AND INSULATING |
| 18 | TOOLS AND SECURITY                     |
| 19 | FINISHING PRODUCTS AND ABRASIVES       |
| 20 | COMMERCIAL DISPLAY AND HARDWARE        |
| 21 | BUILDERS HARDWARE                      |

# I Hinges I

## CLIP and CLIP top Hinges

### CLIP top Thick Door 95°

- 95° opening angle
- 3-dimensional adjustment
- All metal hinge, nickel plated
- Available INSERTA tool-free attachment
- Standard packaging: Box of 50/250

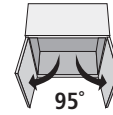
#### See also

|                     |                     |
|---------------------|---------------------|
| Cover caps          | See page 3B41       |
| Mounting plates     | See page 3B47 to 49 |
| BLUMOTION for doors | See page 3B2 to 9   |

#### Minimum reveal table

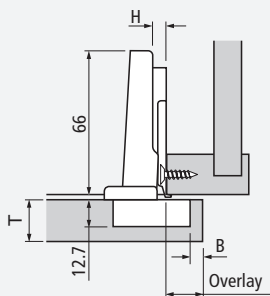
|                  |     |     |     |     |     |     |      |
|------------------|-----|-----|-----|-----|-----|-----|------|
| 0.4              | 0.9 | 1.3 | 1.8 | 2.6 | 3.1 | 3.8 | 3    |
| 0.4              | 0.9 | 1.3 | 1.8 | 2.5 | 2.9 | 3.5 | 4    |
| 0.4              | 0.9 | 1.3 | 1.8 | 2.4 | 2.8 | 3.3 | 5    |
| 0.4              | 0.9 | 1.3 | 1.8 | 2.3 | 2.7 | 3.2 | 6    |
| 0.4              | 0.9 | 1.2 | 1.7 | 2.2 | 2.6 | 3.1 | 7    |
| 19               | 22  | 24  | 26  | 28  | 29  | 30  | B    |
| T Door thickness |     |     |     |     |     |     | Bore |

Cross-reference the door thickness and bore distance to assure that doors won't bind when opened.



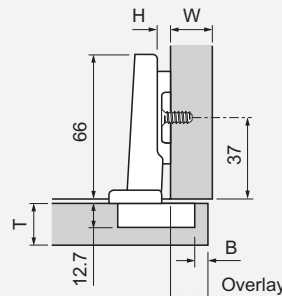
#### Frame cabinet applications

##### Overlay door

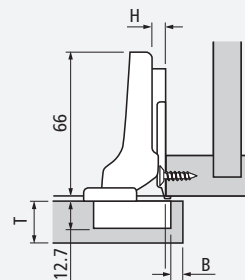


#### Panel cabinet applications

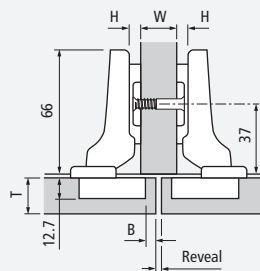
##### Overlay door



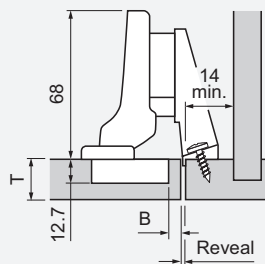
##### Partial overlay door



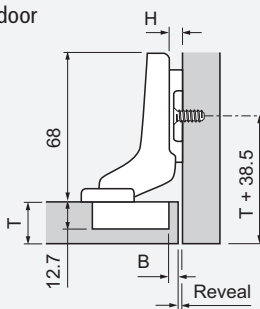
##### Twin overlay doors




##### Inset door



##### Inset door



#### Straight-arm hinges

|  | Self close |
|--|------------|
| Screw-On   | 71T955180  |
| Press-In  | 71T958180  |
| INSERTA  | 71T959180  |


#### Overlay table

|         |                 |      |      |      |      |            |      |
|---------|-----------------|------|------|------|------|------------|------|
| 0       | 14              | 15   | 16   | 17   | 18   | 14.5       | 22   |
| 3       | 11              | 12   | 13   | 14   | 15   | 17.5       | 25   |
| 4.5     | 9.5             | 10.5 | 11.5 | 12.5 | 13.5 | 19         | 26.5 |
| 6       | 8               | 9    | 10   | 11   | 12   | 20.5       | 28   |
| 9       | 5               | 6    | 7    | 8    | 9    | 23.5       | 31   |
| H Plate | 3               | 4    | 5    | 6    | 7    | P          | S    |
|         | B Bore distance |      |      |      |      | Clearances |      |

11 fixed distance

NOTE: 4.5 plate only available for face frame, 9 plate only available for panel cabinets

#### Half-cranked hinges (9.5mm)

|  | Self close | Free swing |
|--|------------|------------|
| Screw-On   | 71T965180  | 70T965180  |
| Press-In  | 71T968180  | -          |

#### Overlay table

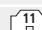
|         |                 |     |     |     |     |            |    |
|---------|-----------------|-----|-----|-----|-----|------------|----|
| 0       | 4.5             | 5.5 | 6.5 | 7.5 | 8.5 | 24         | 31 |
| H Plate | 3               | 4   | 5   | 6   | 7   | P          | S  |
|         | B Bore distance |     |     |     |     | Clearances |    |

1.5 fixed distance

#### Reveal table

|         |                 |   |   |   |   |            |    |    |
|---------|-----------------|---|---|---|---|------------|----|----|
| 0       | 7               | 5 | 3 | 1 | - | 16         | 24 | 31 |
|         | 10              | 8 | 6 | 4 | 2 | 19         |    |    |
| H Plate | 3               | 4 | 5 | 6 | 7 | W Panel    | P  | S  |
|         | B Bore distance |   |   |   |   | Clearances |    |    |

#### Full-cranked hinges (18mm)

|  | Self close | Free swing |
|--|------------|------------|
| Screw-On   | 71T975180  | -          |
| Press-In  | 71T978180  | -          |
| INSERTA  | 71T979180  | -          |

#### Reveal table

|         |                 |   |   |   |   |            |    |
|---------|-----------------|---|---|---|---|------------|----|
| 0       | 4               | 3 | 2 | 1 | - | 32.5       | 40 |
| H Plate | 3               | 4 | 5 | 6 | 7 | P          | S  |
|         | B Bore distance |   |   |   |   | Clearances |    |

- 7 fixed distance

NOTE: On frame application use a half-cranked hinge from above and mounting plate 175H503021180

CCRM 2018

# Hinges I

## CLIP and CLIP top Hinges

### CLIP top Aluminum Door 120°

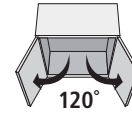
- 120° opening angle
- 3-dimensional adjustment
- All metal hinge, nickel plated
- Standard packaging: Box of 50/250

**See also**

|                     |                     |
|---------------------|---------------------|
| Cover caps          | See page 3B41       |
| Mounting plates     | See page 3B47 to 49 |
| BLUMOTION for doors | See page 3B2 to 9   |

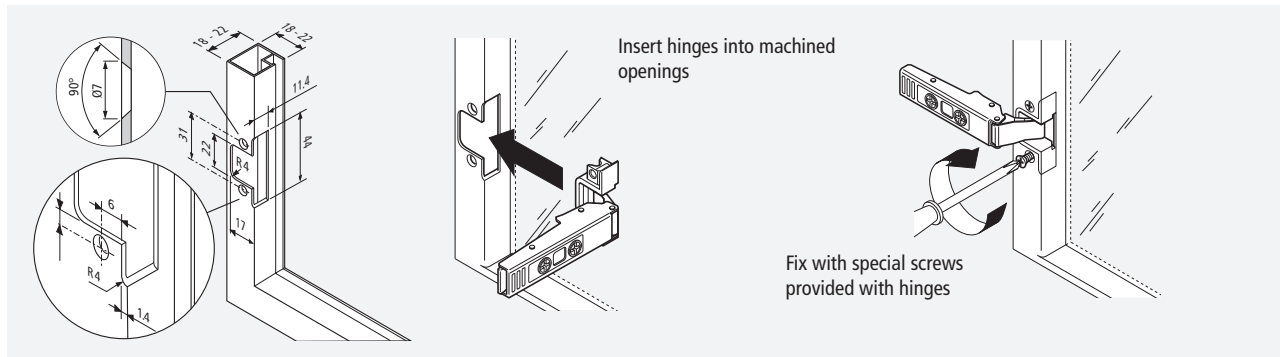
**Minimum reveal table**

|     |     |     |     |     |                  |
|-----|-----|-----|-----|-----|------------------|
| 1.5 | 1.9 | 2.4 | 2.9 | 3.7 | 18               |
| 1.5 | 1.8 | 2.2 | 2.7 | 3.3 | 19               |
| 1.4 | 1.8 | 2.2 | 2.6 | 3.1 | 20               |
| 1.4 | 1.7 | 2.1 | 2.5 | 3   | 21               |
| 1.2 | 1.7 | 2   | 2.4 | 2.9 | 22               |
| 18  | 19  | 20  | 21  | 22  | Door Frame Width |



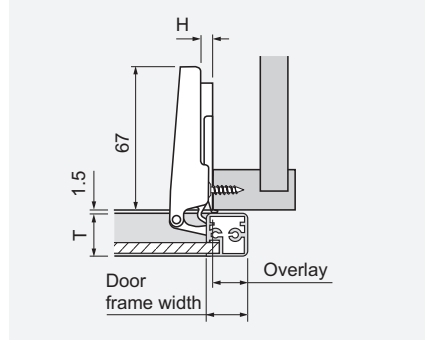
Cross-reference the door thickness and bore distance to assure that doors won't bind when opened.

### Specifications

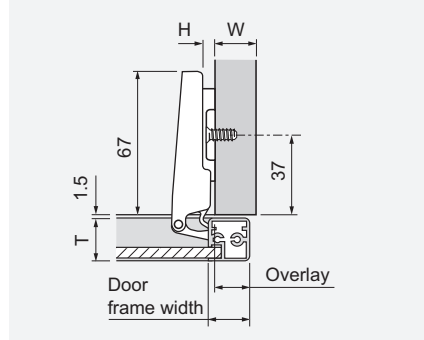


### Applications

**Overlay door - frame cabinets**



**Overlay door**



**Straight-arm hinges**

|          |                   |
|----------|-------------------|
|          | Self close        |
| Screw-On | <b>73T550A180</b> |

| Overlay table |                     |              |              |
|---------------|---------------------|--------------|--------------|
| 0             | 15                  | 8            | 19.5         |
| 3             | 12                  | 11           | 22.5         |
| 4.5           | 10.5                | 12.5         | 24           |
| 6             | 9                   | 14           | 25.5         |
| 9             | 6                   | 17           | 28.5         |
| H Plate       | Fixed Bore distance | P Clearances | S Clearances |

**NOTE:** 4.5 plate only available for face frame, 9 plate only available for panel cabinets

- 1 SCREWS AND FASTENERS
- 2 FURNITURE EQUIPMENT
- 3 HINGES**
- 4 SLIDES
- 5 CASTERS AND LEGS
- 6 KITCHEN SOLUTIONS
- 7 CLOSET SOLUTIONS
- 8 LIGHTING SOLUTIONS
- 9 SINKS AND FAUCETS
- 10 OFFICE
- 11 SLIDING DOORS SYSTEMS
- 12 GLASS HARDWARE
- 13 PANELS AND SURFACES
- 14 EDGE-BANDING
- 15 CABINET DOORS AND DRAWERS
- 16 MOLDINGS, CORBELS AND WINE CELLARS
- 17 GLUES, SILICONES, CAULK AND INSULATING
- 18 TOOLS AND SECURITY
- 19 FINISHING PRODUCTS AND ABRASIVES
- 20 COMMERCIAL DISPLAY AND HARDWARE
- 21 BUILDERS HARDWARE

# I Hinges I

## CLIP and CLIP top Hinges

### CLIP top Inset Blind Corner 95°

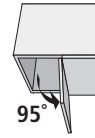
- 95° opening angle
- 3-dimensional adjustment
- All metal hinge, nickel plated
- Available INSERTA tool-free attachment
- Standard packaging: Box of 50/250

**See also**

|                     |                     |
|---------------------|---------------------|
| Cover caps          | See page 3B41       |
| Mounting plates     | See page 3B47 to 49 |
| BLUMOTION for doors | See page 3B2 to 9   |

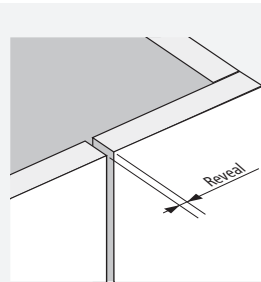
**Minimum reveal table**

|                  |     |     |     |     |     |      |
|------------------|-----|-----|-----|-----|-----|------|
| 0.1              | 0.3 | 0.4 | 0.5 | 0.9 | 1.3 | 3    |
| 0.1              | 0.3 | 0.4 | 0.5 | 0.9 | 1.3 | 4    |
| 0.1              | 0.4 | 0.4 | 0.5 | 0.9 | 1.3 | 5    |
| 0.1              | 0.3 | 0.4 | 0.5 | 0.9 | 1.2 | 6    |
| 0.1              | 0.3 | 0.4 | 0.5 | 0.9 | 1.2 | 7    |
| 16               | 18  | 19  | 20  | 22  | 24  | B    |
| T Door thickness |     |     |     |     |     | Bore |

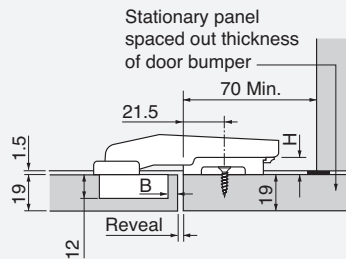


Cross-reference the door thickness and bore distance to assure that doors won't bind when opened.

### Flush door applications



Back of door is flush with stationary panel



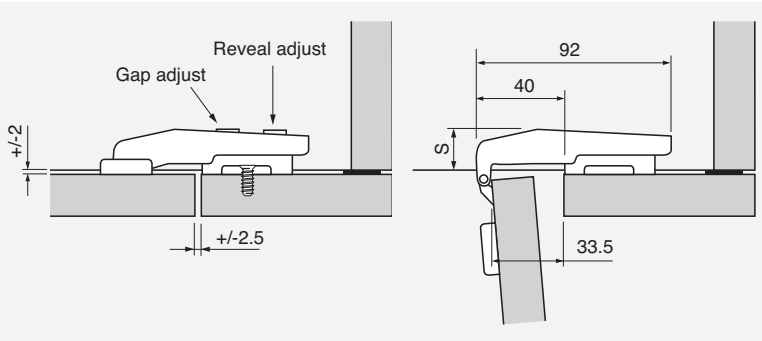
**Inset blind corner hinges**  
(cabinet thickness 19 mm)

|          |                  |
|----------|------------------|
|          | Self close       |
| Screw-On | <b>79T955180</b> |
| Press-In | <b>79T958180</b> |
| INSERTA  | <b>79T959180</b> |

|              |                 |   |   |   |   |            |    |
|--------------|-----------------|---|---|---|---|------------|----|
| Reveal table |                 |   |   |   |   |            |    |
| 3            | 5               | 4 | 3 | 2 | 1 | 33.5       | 21 |
| H            | 3               | 4 | 5 | 6 | 7 | P          | S  |
| Plate        | B Bore distance |   |   |   |   | Clearances |    |

NOTE: Use a 3 mm mounting plate

### Adjustments and clearances



# Hinges I

## CLIP and CLIP top Hinges

# Richelieu Section 3B

### CLIP top Overlay Blind Corner 95°

- 95° opening angle
- 3-dimensional adjustment
- All metal hinge, nickel plated
- Available with INSERTA tool-free attachment
- Standard packaging: Box of 50/250

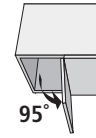
#### See also

|                     |                     |
|---------------------|---------------------|
| Cover caps          | See page 3B41       |
| Mounting plates     | See page 3B47 to 49 |
| BLUMOTION for doors | See page 3B2 to 9   |

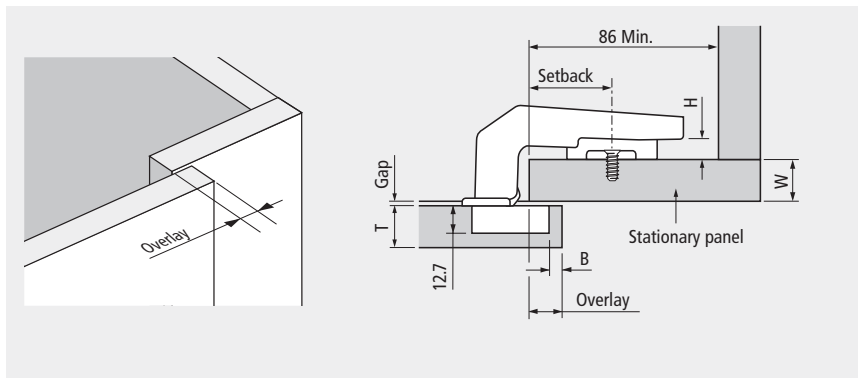
#### Minimum reveal table

|                  |     |     |     |     |     |      |
|------------------|-----|-----|-----|-----|-----|------|
| 0.1              | 0.3 | 0.4 | 0.5 | 0.9 | 1.3 | 3    |
| 0.1              | 0.3 | 0.4 | 0.5 | 0.9 | 1.3 | 4    |
| 0.1              | 0.3 | 0.4 | 0.5 | 0.9 | 1.3 | 5    |
| 0.1              | 0.3 | 0.4 | 0.5 | 0.9 | 1.2 | 6    |
| 0.1              | 0.3 | 0.4 | 0.5 | 0.9 | 1.2 | 7    |
| 16               | 18  | 19  | 20  | 22  | 24  | B    |
| T Door thickness |     |     |     |     |     | Bore |


Cross-reference the door thickness and bore distance to assure that doors won't bind when opened.



### Overlay application



#### Overlay blind corner hinges (cabinet thickness 16 mm)

|  |                  |
|--|------------------|
|  | Self close       |
| Screw-On   | -                |
| Press-In  | -                |
| INSERTA  | <b>79T999180</b> |

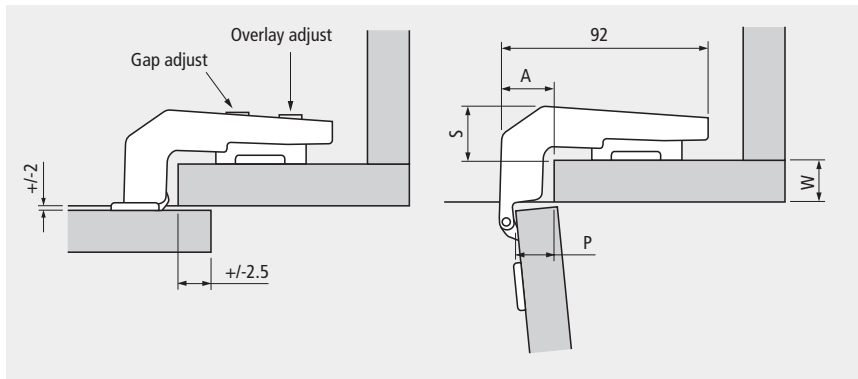
#### Door Overlay

The door overlay varies depending on the setback position of the mounting plate. Use the table below to select the desired overlay and cross-reference to the plate setback and bore distance.

|               |                 |    |    |    |    |                |    |
|---------------|-----------------|----|----|----|----|----------------|----|
|               | Overlay table   |    |    |    |    |                |    |
| 27            | 2               | 3  | 4  | 5  | 6  | 7              | 32 |
| 32            | 7               | 8  | 9  | 10 | 11 | 12             | 27 |
| 37            | 12              | 13 | 14 | 15 | 16 | 17             | 22 |
| Plate Setback | B Bore distance |    |    |    |    | P A Clearances |    |

9 fixed distance

### Adjustments and clearances



#### Door Gap

The door gap varies depending on the thickness of the stationary panel and the height of the mounting plate. Using the table below:

1. Select a panel thickness column.
2. Choose a door gap.
3. Cross-reference the plate height.

|       |              |    |    |            |
|-------|--------------|----|----|------------|
|       | Gap table    |    |    |            |
| 0     | 7            | 4  | 1  | 21         |
| 3     | 4            | 1  | -  | 24         |
| 6     | 1            | -  | -  | 27         |
| H     | 16           | 19 | 22 | S          |
| Plate | W panel thk. |    |    | Clearances |

**Note:** Door gap can be adjusted +/-2.

- 1 SCREWS AND FASTENERS
- 2 FURNITURE EQUIPMENT
- 3 HINGES
- 4 SLIDES
- 5 CASTERS AND LEGS
- 6 KITCHEN SOLUTIONS
- 7 CLOSET SOLUTIONS
- 8 LIGHTING SOLUTIONS
- 9 SINKS AND FAUCETS
- 10 OFFICE
- 11 SLIDING DOORS SYSTEMS
- 12 GLASS HARDWARE
- 13 PANELS AND SURFACES
- 14 EDGE-BANDING
- 15 CABINET DOORS AND DRAWERS
- 16 MOLDINGS, CORBELS AND WINE CELLARS
- 17 GLUES, SILICONES, CAULK AND INSULATING
- 18 TOOLS AND SECURITY
- 19 FINISHING PRODUCTS AND ABRASIVES
- 20 COMMERCIAL DISPLAY AND HARDWARE
- 21 BUILDERS HARDWARE

# I Hinges I

## CLIP and CLIP top Hinges

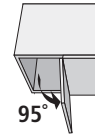
### Screw-On Hinge - 95° for Aluminum Door - Self-Closing

CLIP top hinge with 95° opening angle for aluminum doors. Overlay doors. Screw-On case, made of steel, self-closing. 3-dimensional adjustment.

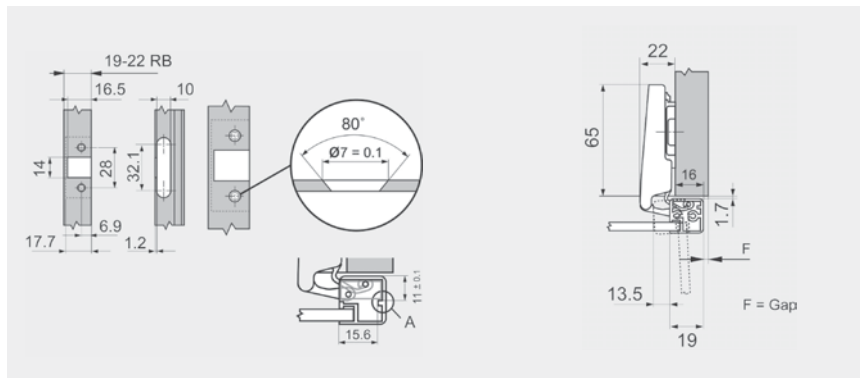
- Hinge Opening Angle: +95°
- Hinge Type: CLIP top
- Use Type: Narrow Aluminum-Framed Door
- Fixing Type: Screw-On
- Cabinet Type: Frameless
- Door Position: Overlay
- Door Thickness: 3/4" to 25/32" (19 to 20 mm)
- Cabinet Thickness: Min. 5/8" (16 mm)
- Closing Mechanism: Self-Closing

#### See also

|                     |                     |
|---------------------|---------------------|
| Cover caps          | See page 3B41       |
| Mounting plates     | See page 3B47 to 49 |
| BLUMOTION for doors | See page 3B2 to 9   |



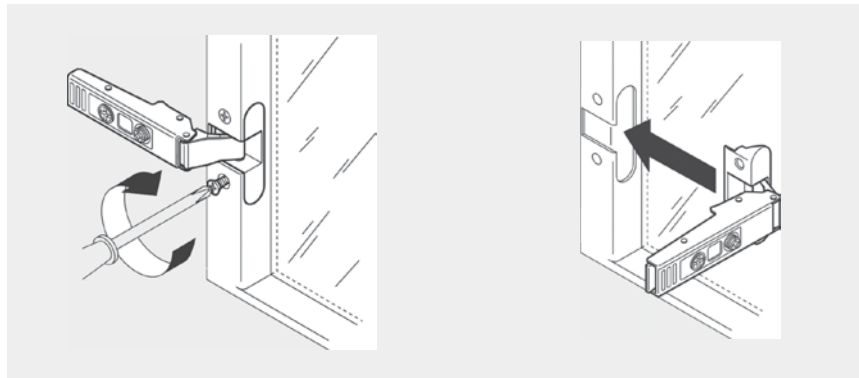
#### Overlay application



#### Straight-arm hinges

|          |                   |
|----------|-------------------|
|          | Self close        |
| Screw-On | <b>71M950A180</b> |

#### Adjustments and clearances



# Hinges I

## CLIP and CLIP top Hinges

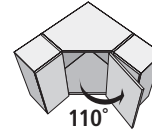


### CLIP top Diagonal 45°

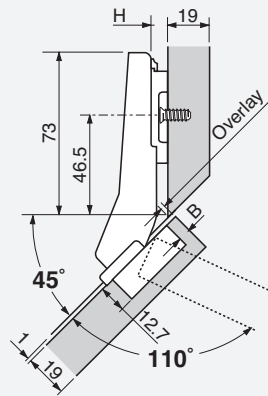
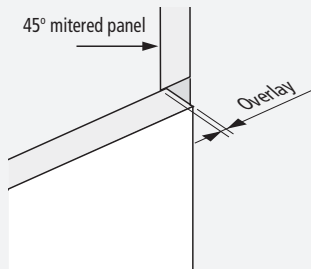
- 110° opening angle
- 3-dimensional adjustment
- All metal hinge, nickel plated
- Available INSERTA tool-free attachment
- Standard packaging: Box of 50/250

See also

|                     |                     |
|---------------------|---------------------|
| Cover caps          | See page 3B41       |
| Mounting plates     | See page 3B47 to 49 |
| BLUMOTION for doors | See page 3B2 to 9   |



#### Overlay application

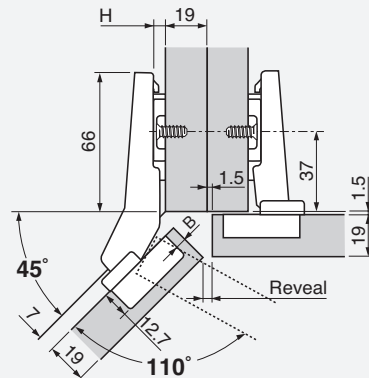
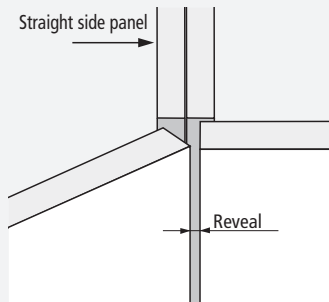


#### Diagonal 45 hinges

|          | Self close |
|----------|------------|
| Screw-On | 79T555180  |
| Press-In | 79T558180  |
| INSERTA  | 79T559180  |

| Overlay table |                 |   |   |   |
|---------------|-----------------|---|---|---|
| 0             | 1               | 2 | 3 | 4 |
| H             | 3               | 4 | 5 | 6 |
| Plate         | B Bore distance |   |   |   |

#### Inside corner



#### Straight-arm hinges

|          | Self close |
|----------|------------|
| Screw-On | 79T555180  |
| Press-In | 79T558180  |
| INSERTA  | 79T559180  |

| Reveal table |                 |   |   |   |
|--------------|-----------------|---|---|---|
| 0            | 6               | 5 | 4 | 3 |
| H            | 3               | 4 | 5 | 6 |
| Plate        | B Bore distance |   |   |   |

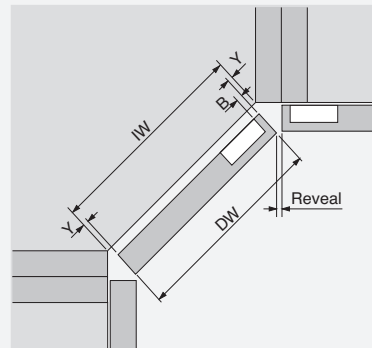
#### Calculating door width (DW)

Step 1: Using the Boring distance (B) determined in the reveal table, cross-reference to find the side gap distance (Y) in the table to the right.

Step 2: Use the following formula to find the door width:  $DW = IW - (Y \times 2)$

Example:

Int. width (IW) = 400mm  
Side gap (Y) = 4.5mm  
 $391 = 400 - (4.5 \times 2)$



| Y Side Gap      |     |     |     |
|-----------------|-----|-----|-----|
| 5.5             | 4.5 | 3.5 | 2.5 |
| 3               | 4   | 5   | 6   |
| B Bore distance |     |     |     |

**Note:** Calculations based on 19mm (3/4") door thickness.

CCRM 2018

- 1 SCREWS AND FASTENERS
- 2 FURNITURE EQUIPMENT
- 3 HINGES
- 4 SLIDES
- 5 CASTERS AND LEGS
- 6 KITCHEN SOLUTIONS
- 7 CLOSET SOLUTIONS
- 8 LIGHTING SOLUTIONS
- 9 SINKS AND FAUCETS
- 10 OFFICE
- 11 SLIDING DOORS SYSTEMS
- 12 GLASS HARDWARE
- 13 PANELS AND SURFACES
- 14 EDGE-BANDING
- 15 CABINET DOORS AND DRAWERS
- 16 MOLDINGS, CORBELS AND WINE CELLARS
- 17 GLUES, SILICONES, CAULK AND INSULATING
- 18 TOOLS AND SECURITY
- 19 FINISHING PRODUCTS AND ABRASIVES
- 20 COMMERCIAL DISPLAY AND HARDWARE
- 21 BUILDERS HARDWARE



# I Hinges I

## CLIP and CLIP top Hinges



### CLIP 100°

- 100° opening angle
- 3-dimensional adjustment
- All metal hinge, nickel plated
- Available INSERTA tool-free attachment
- Standard packaging: Box of 50/250

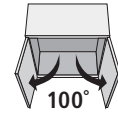
**See also**

|                     |                     |
|---------------------|---------------------|
| Cover caps          | See page 3B41       |
| Mounting plates     | See page 3B47 to 49 |
| BLUMOTION for doors | See page 3B2 to 9   |

**Minimum reveal table**

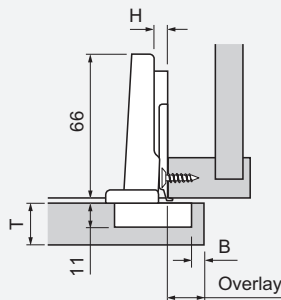
|                  |     |     |     |     |     |      |
|------------------|-----|-----|-----|-----|-----|------|
| 0.5              | 0.9 | 1.1 | 1.4 | 2.3 | 3.6 | 3    |
| 0.5              | 0.8 | 1.0 | 1.3 | 2.0 | 3.3 | 4    |
| 0.4              | 0.8 | 1.0 | 1.2 | 1.8 | 3.0 | 5    |
| 0.4              | 0.8 | .9  | 1.1 | 1.7 | 2.8 | 6    |
| 16               | 18  | 19  | 20  | 22  | 24  | B    |
| T Door thickness |     |     |     |     |     | Bore |

Cross-reference the door thickness and bore distance to assure that doors won't bind when opened.



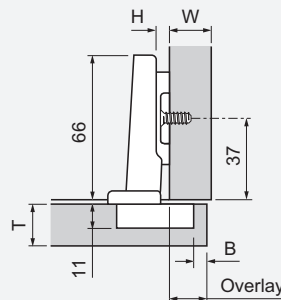
### Frame cabinet applications

#### Overlay door



### Panel cabinet applications

#### Overlay door



### Straight-arm hinges

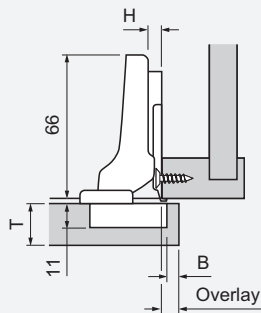
|                     | Self close    | Free swing |
|---------------------|---------------|------------|
| Screw-On            | 71M255180     | 70M255180  |
| Screw-On with plate | BP71M25521180 | -          |
| Press-In            | 71M258180     | 70M258180  |

|         |                 |      |      |      |              |      |
|---------|-----------------|------|------|------|--------------|------|
| 0       | 14              | 15   | 16   | 17   | 9            | 20   |
| 3       | 11              | 12   | 13   | 14   | 12           | 23   |
| 4.5     | 9.5             | 10.5 | 11.5 | 12.5 | 13.5         | 24.5 |
| 6       | 8               | 9    | 10   | 11   | 15           | 26   |
| 9       | 5               | 6    | 7    | 8    | 18           | 29   |
| H Plate | 3               | 4    | 5    | 6    | P Clearances | S    |
|         | B Bore distance |      |      |      |              |      |

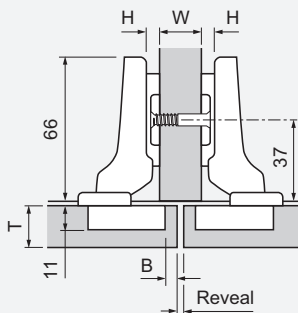
**NOTE:**  
4.5 plate only available for face frame, 9 plate only available for panel cabinets

11 fixed distance

#### Partial overlay door



#### Twin overlay doors



### Half-cranked hinges (9.5mm)

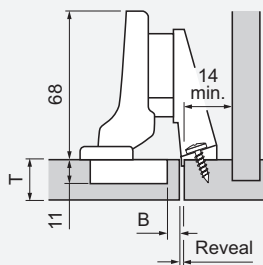
|                     | Self close    | Free swing |
|---------------------|---------------|------------|
| Screw-On            | 71M265180     | 70M265180  |
| Screw-On with plate | BP71M26521180 | -          |
| Press-In            | 71M268180     | -          |

|         |                 |   |   |   |         |              |    |
|---------|-----------------|---|---|---|---------|--------------|----|
| 0       | 7               | 5 | 3 | 1 | 16      | 18.5         | 30 |
|         | 10              | 8 | 6 | 4 | 19      |              |    |
| H Plate | 3               | 4 | 5 | 6 | W Panel | P Clearances | S  |
|         | B Bore distance |   |   |   |         |              |    |

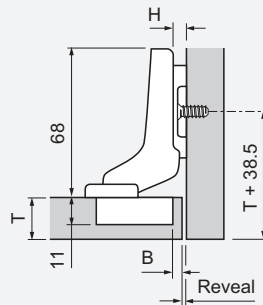
|         |                 |     |     |     |              |    |
|---------|-----------------|-----|-----|-----|--------------|----|
| 0       | 4.5             | 5.5 | 6.5 | 7.5 | 18.5         | 30 |
| H Plate | 3               | 4   | 5   | 6   | P Clearances | S  |
|         | B Bore distance |     |     |     |              |    |

1.5 fixed distance

#### Inset door



#### Inset door



### Full-cranked hinges (18mm)

|                     | Self close    | Free swing |
|---------------------|---------------|------------|
| Screw-On            | 71M275180     | 70M275180  |
| Screw-On with plate | BP71M27521180 | -          |
| Press-In            | 71M278180     | 70M278180  |

|         |                 |   |   |   |              |    |
|---------|-----------------|---|---|---|--------------|----|
| 0       | 4               | 3 | 2 | 1 | 27           | 38 |
| H Plate | 3               | 4 | 5 | 6 | P Clearances | S  |
|         | B Bore distance |   |   |   |              |    |

-7 fixed distance

**NOTE:** On frame application use a half-cranked hinge from above and mounting plate 175H503021180

# Hinges I

## CLIP and CLIP top Hinges



### CLIP top Mini 94°

- 94° opening angle
- Side adjustment of +0.5 to -3.5mm
- Hinge for small doors or doors with small frames
- Standard packaging: Box of 50/250

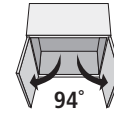
#### See also

|                     |                     |
|---------------------|---------------------|
| Cover caps          | See page 3B41       |
| Mounting plates     | See page 3B47 to 49 |
| BLUMOTION for doors | See page 3B2 to 9   |

#### Minimum reveal table

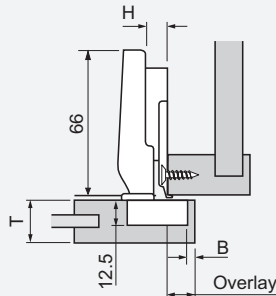
|                  |     |     |     |     |     |     |      |
|------------------|-----|-----|-----|-----|-----|-----|------|
| 1.1              | 2.2 | 3.0 | 3.8 | 5.5 | 7.3 | 9.1 | 3    |
| 1.1              | 2.0 | 2.7 | 3.5 | 5.0 | 6.8 | 8.6 | 4    |
| 1.1              | 1.8 | 2.4 | 3.0 | 4.6 | 6.3 | 8.0 | 5    |
| 16               | 18  | 19  | 20  | 22  | 24  | 26  | B    |
| T Door thickness |     |     |     |     |     |     | Bore |

Cross-reference the door thickness and bore distance to assure that doors won't bind when opened.



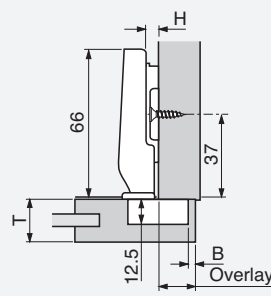
#### Frame cabinet applications

##### Overlay door

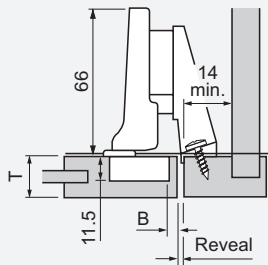


#### Panel cabinet applications

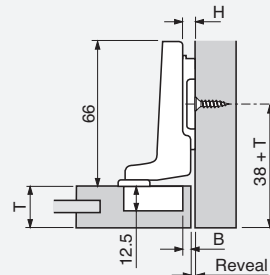
##### Overlay door



##### Inset door



##### Inset door



#### Straight-arm hinges

Screw-On **71M055180** Self close CLIP top

| Overlay table |     |               |      |            |      |  |
|---------------|-----|---------------|------|------------|------|--|
| 0             | 13  | 14            | 15   | 6          | 18   |  |
| 3             | 10  | 11            | 12   | 9          | 22   |  |
| 4.5           | 8.5 | 9.5           | 10.5 | 11         | 23.5 |  |
| 6             | 7   | 8             | 9    | 12         | 25   |  |
| 9             | 4   | 5             | 6    | 15         | 28   |  |
| H             | 3   | 4             | 5    | P          | S    |  |
| Plate         | B   | Bore distance |      | Clearances |      |  |

10 fixed distance

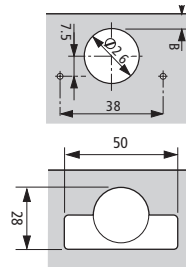
NOTE: 4.5 plate only available for face frame, 9 plate only available for panel cabinets

#### Full-cranked hinges (18mm)

Screw-On **71M075180** Self close

| Reveal table |   |               |   |            |    |  |
|--------------|---|---------------|---|------------|----|--|
| 0            | 5 | 4             | 3 | 24         | 33 |  |
| H            | 3 | 4             | 5 | P          | S  |  |
| Plate        | B | Bore distance |   | Clearances |    |  |

-8 fixed distance



- 1 SCREWS AND FASTENERS
- 2 FURNITURE EQUIPMENT
- 3 HINGES
- 4 SLIDES
- 5 CASTERS AND LEGS
- 6 KITCHEN SOLUTIONS
- 7 CLOSET SOLUTIONS
- 8 LIGHTING SOLUTIONS
- 9 SINKS AND FAUCETS
- 10 OFFICE
- 11 SLIDING DOORS SYSTEMS
- 12 GLASS HARDWARE
- 13 PANELS AND SURFACES
- 14 EDGE-BANDING
- 15 CABINET DOORS AND DRAWERS
- 16 MOLDINGS, CORBELS AND WINE CELLARS
- 17 GLUES, SILICONES, CAULK AND INSULATING
- 18 TOOLS AND SECURITY
- 19 FINISHING PRODUCTS AND ABRASIVES
- 20 COMMERCIAL DISPLAY AND HARDWARE
- 21 BUILDERS HARDWARE

# I Hinges I CLIP and CLIP top Hinges

## CLIP top Glass Door 94°

- 94° opening angle
- 3-dimensional adjustment
- For glass thickness of 4.5 to 7mm
- Side adjustment of +.5 to -3.5mm
- Fixing screws included
- Must use 26mm bit
- Standard packaging: Box of 50/250

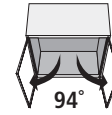
### See also

|                     |                     |
|---------------------|---------------------|
| Cover caps          | See page 3B41       |
| Mounting plates     | See page 3B47 to 49 |
| BLUMOTION for doors | See page 3B2 to 9   |

Minimum reveal table

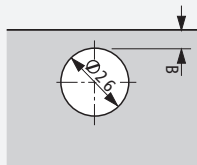
|                  |   |   |   |      |
|------------------|---|---|---|------|
| 0                | 0 | 0 | 0 | 5.5  |
| 0                | 0 | 0 | 0 | 6    |
| 0                | 0 | 0 | 0 | 6.5  |
| 0                | 0 | 0 | 0 | 7    |
| 4.5              | 5 | 6 | 7 | B    |
| T Door thickness |   |   |   | Bore |

Cross-reference the door thickness and bore distance to assure that doors won't bind when opened.



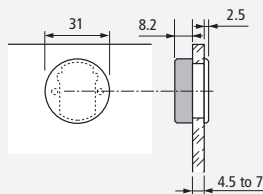
## Panel cabinet applications

### Boring pattern

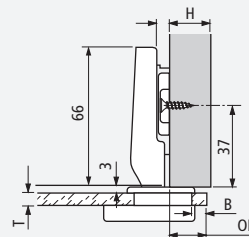


### D - Shape

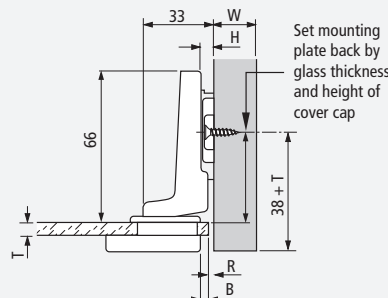
|           |        |           |          |
|-----------|--------|-----------|----------|
| -         | Black  | Round     | 84414090 |
| -         | Brass  | -         | -        |
| 844120140 | Chrome | 844140140 |          |



### Overlay door



### Inset door



## Straight-arm hinges

Self close  
Screw-On **75M41090** CLIP top

|       |      |               |      |    |            |    |
|-------|------|---------------|------|----|------------|----|
| 0     | 15.5 | 16            | 16.5 | 17 | 6          | 19 |
| 3     | 12.5 | 13            | 13.5 | 14 | 9          | 22 |
| 6     | 9.5  | 10            | 10.5 | 11 | 12         | 25 |
| 9     | 6.5  | 7             | 7.5  | 8  | 15         | 28 |
| H     | 5.5  | 6             | 6.5  | 7  | P          | S  |
| Plate | B    | Bore distance |      |    | Clearances |    |

10 fixed distance

## Full-cranked hinges (18mm)

Self close  
Screw-On **75M43090**

|       |     |               |     |   |            |    |
|-------|-----|---------------|-----|---|------------|----|
| 0     | 2.5 | 2             | 1.5 | 1 | 23.5       | 33 |
| H     | 5.5 | 6             | 6.5 | 7 | P          | S  |
| Plate | B   | Bore distance |     |   | Clearances |    |

- 8 fixed distance

# Hinges I

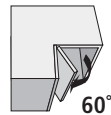
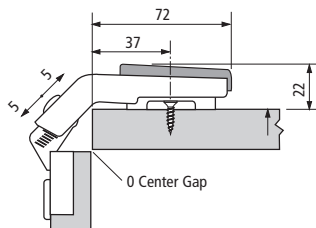
## CLIP and CLIP top Hinges

### CLIP top Hinge – 60° Bi-Fold

- 60° opening angle
- 3-dimensional adjustment
- All metal hinge, nickel plated
- Standard packaging: Box of 25/125
- \*Standard packaging: Box of 10/100

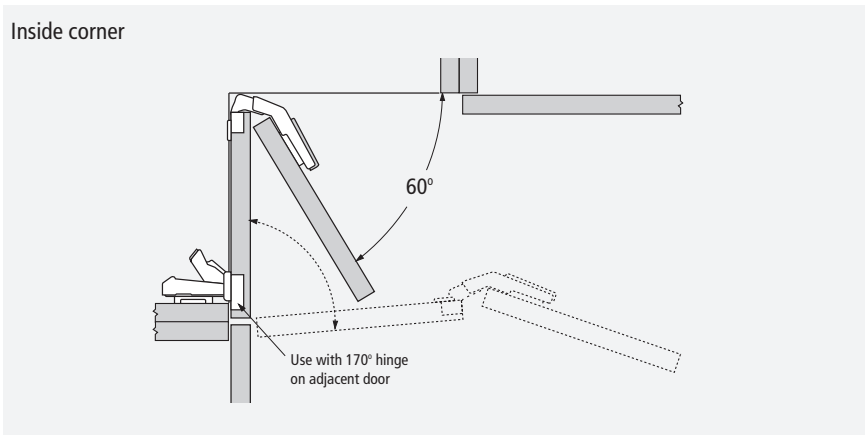
**See also**

|                     |                     |
|---------------------|---------------------|
| Cover caps          | See page 3B41       |
| Mounting plates     | See page 3B47 to 49 |
| BLUMOTION for doors | See page 3B2 to 9   |



### Application

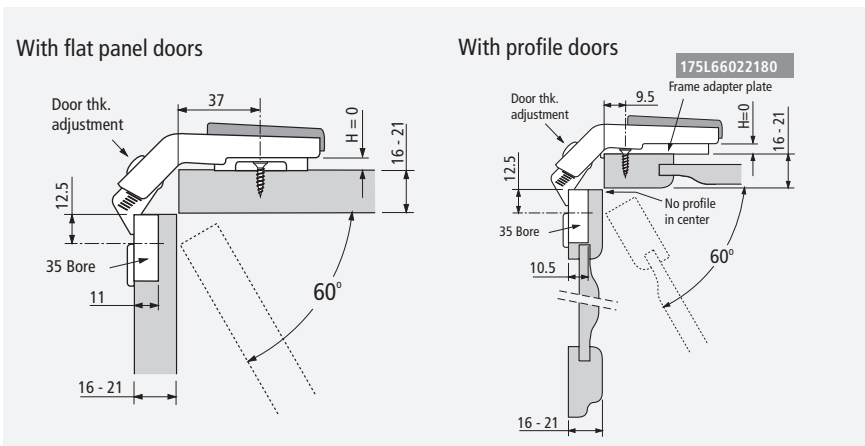
#### Inside corner



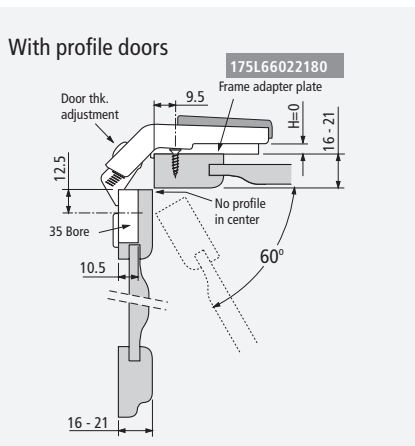
#### Straight-arm hinges

|                     |                |
|---------------------|----------------|
|                     | Self close     |
| Screw-On            | 79T850180      |
| Press-In            | 79T853180      |
| Screw-On with plate | BP79M85021180* |

#### With flat panel doors



#### With profile doors



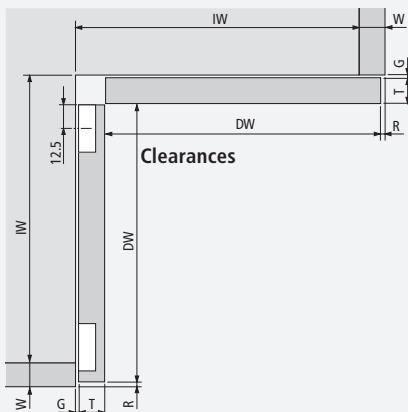
### Calculating door sizes

The doors for a CLIP bi-fold application can be of equal or unequal width. To calculate the door width (DW) of each door:

- Step 1: Add the interior width (IW) to the side panel width (W).
- Step 2: Subtract door thickness (T) and reveal (R).
- Step 3: Subtract gap (G) and bumper thickness from behind adjacent door.

Formula:  $DW = (IW + W) - T, -R \text{ and } -G$

Example:  $DW = (500 + 19) - 19 - 3 - 1$   
 $DW = 496\text{mm}$



CCRM 2018

- 1 SCREWS AND FASTENERS
- 2 FURNITURE EQUIPMENT
- 3 HINGES**
- 4 SLIDES
- 5 CASTERS AND LEGS
- 6 KITCHEN SOLUTIONS
- 7 CLOSET SOLUTIONS
- 8 LIGHTING SOLUTIONS
- 9 SINKS AND FAUCETS
- 10 OFFICE
- 11 SLIDING DOORS SYSTEMS
- 12 GLASS HARDWARE
- 13 PANELS AND SURFACES
- 14 EDGE-BANDING
- 15 CABINET DOORS AND DRAWERS
- 16 MOLDINGS, CORBELS AND WINE CELLARS
- 17 GLUES, SILICONES, CAULK AND INSULATING
- 18 TOOLS AND SECURITY
- 19 FINISHING PRODUCTS AND ABRASIVES
- 20 COMMERCIAL DISPLAY AND HARDWARE
- 21 BUILDERS HARDWARE

# Hinges I

## CLIP and CLIP top Hinges

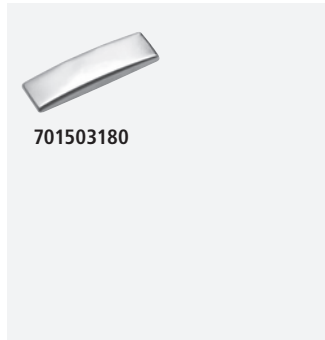
### Cover Caps



**blum**

## Richelieu Section 3B

Nickel plated steel



Nylon (black or white)



CLIP top hinge cup cover cap



### CLIP top / CLIP cover caps

|   |              |                  | Finish |           | Quantity |
|---|--------------|------------------|--------|-----------|----------|
| 100°, 107°, 120°, and 120°+ and thick door hinges | Straight arm | <b>90M210390</b> | black  |           | 1M       |
|   | Straight arm | -                | black  | with logo | 5M       |
| Diagonal 45° and blind corner hinges              | Straight arm | <b>701503180</b> | steel  |           | 1M       |
|   | Straight arm | -                | steel  | with logo | 5M       |

**Note:** Custom logo available in nylon or nickel plated steel cover caps. Consult your Richelieu representative for minimum quantities and lead times on custom logos.

### Angle restriction clips

Angle restriction clip for CLIP top 107

86°

- Reduces opening angle of the CLIP top 107° to 86°
- Installs quickly and easily without tools
- Non-removable

|                            |                 |
|----------------------------|-----------------|
| 86° Angle restriction CLIP | <b>74110390</b> |
| Quantity                   | 250             |

86° Opening Angle Stop for Clip Top Blumotion

- Reduces opening angle to 86°
- Installs quickly and easily without tools
- Non-removable

|          |                  |
|----------|------------------|
|          | <b>70T355390</b> |
| Quantity | 250              |

Angle restriction clip for CLIP top 170

130°

- Reduces opening angle of the CLIP top 170° to 130°
- Required for special applications of the 170° hinge
- Installs quickly and easily without tools

|                             |                 |
|-----------------------------|-----------------|
| 130° Angle restriction CLIP | <b>70610390</b> |
| Quantity                    | 250             |

Cover Cap for Clip Top Blumotion

- Cover cap for Clip Top Blumotion hinges
- Suitable for screw-on and press-in hinge cups

|          |                   |
|----------|-------------------|
|          | <b>70T3504180</b> |
| Quantity | 1000              |

Spacer 1.5 mm

|          |                   |
|----------|-------------------|
|          | <b>70T3507180</b> |
| Quantity | 250               |

CCRM 2018

I Hinges I  
**CLIP and CLIP top Hinges**  
**Angled Hinge Program**



**Positive angled CLIP top hinges**

• Standard packaging for all Hinges: Box of 50/250

|         |   |   |   |   |
|---------|---|---|---|---|
|         |  |  |  |  |
|         | +15°  | +20°  | +30°  |   |
| INSERTA | 79A9494180  | 79A9595180  | 79A9496180  | 79A9596180  |

|         |   |
|---------|---|
|         |  |
|         | +45°  |
| INSERTA | 79A9498180  |

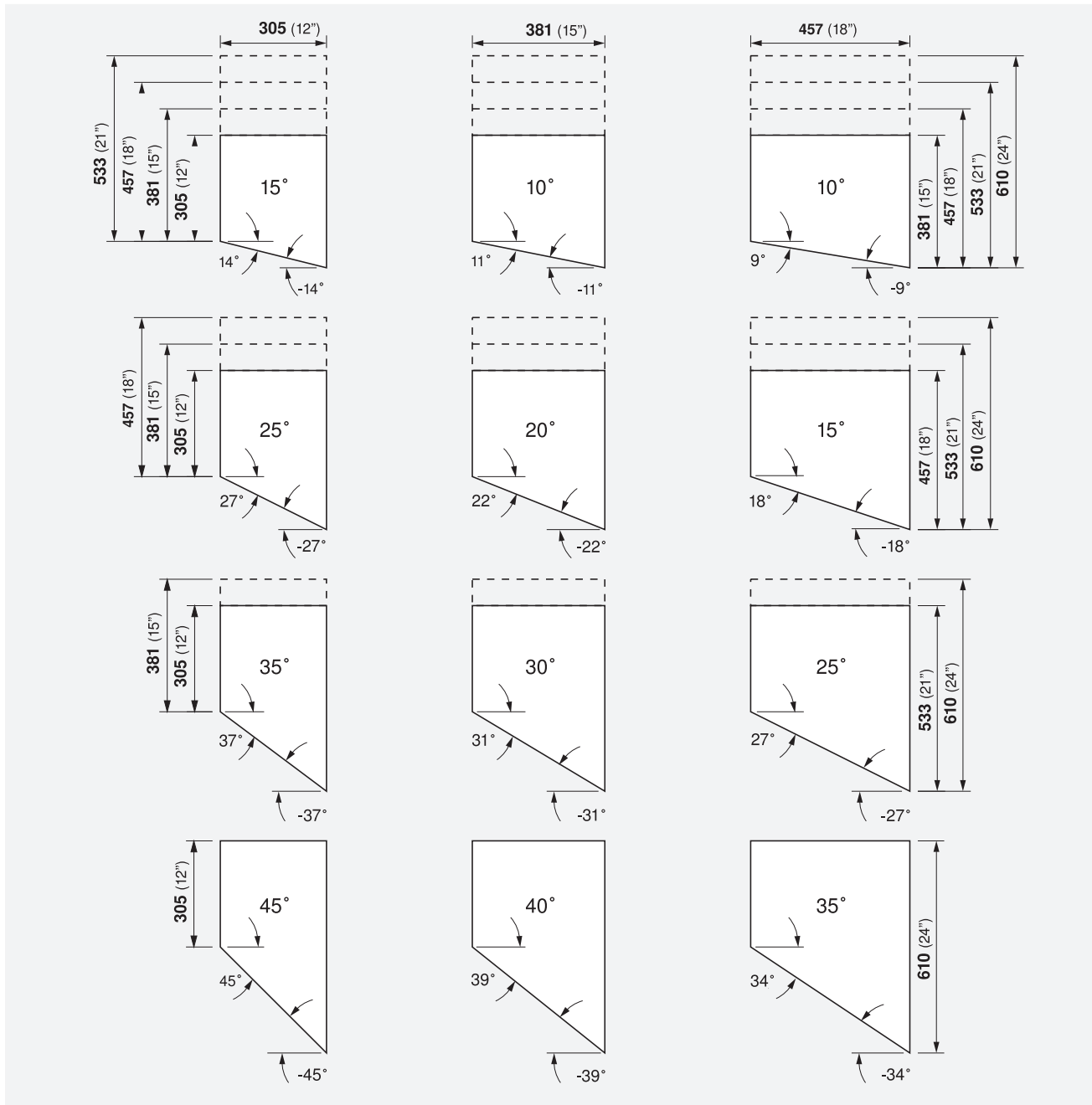
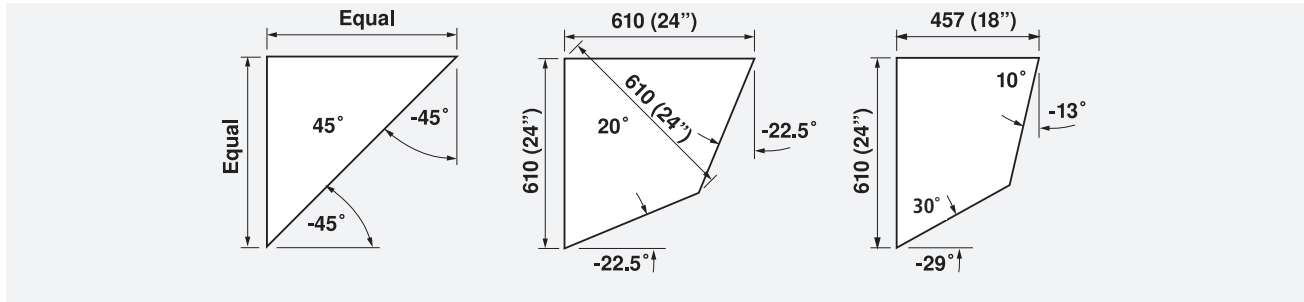
**Negative angled CLIP top hinges**

|          |  |   |  |
|----------|--|---|--|
|          |  |  |  |
|          | -15°   | -30°  | -45°   |
| Screw-On | 79A5453180   | 79A5451180  | 79A5450180   |

- 1 SCREWS AND FASTENERS
- 2 FURNITURE EQUIPMENT
- 3 HINGES**
- 4 SLIDES
- 5 CASTERS AND LEGS
- 6 KITCHEN SOLUTIONS
- 7 CLOSET SOLUTIONS
- 8 LIGHTING SOLUTIONS
- 9 SINKS AND FAUCETS
- 10 OFFICE
- 11 SLIDING DOORS SYSTEMS
- 12 GLASS HARDWARE
- 13 PANELS AND SURFACES
- 14 EDGE-BANDING
- 15 CABINET DOORS AND DRAWERS
- 16 MOLDINGS, CORBELS AND WINE CELLARS
- 17 GLUES, SILICONES, CAULK AND INSULATING
- 18 TOOLS AND SECURITY
- 19 FINISHING PRODUCTS AND ABRASIVES
- 20 COMMERCIAL DISPLAY AND HARDWARE
- 21 BUILDERS HARDWARE

I Hinges I  
**CLIP and CLIP top Hinges**  
 Angled Cabinet Configurations

Match desired configuration to "Angle-to-style cross-reference" chart on page 3B44

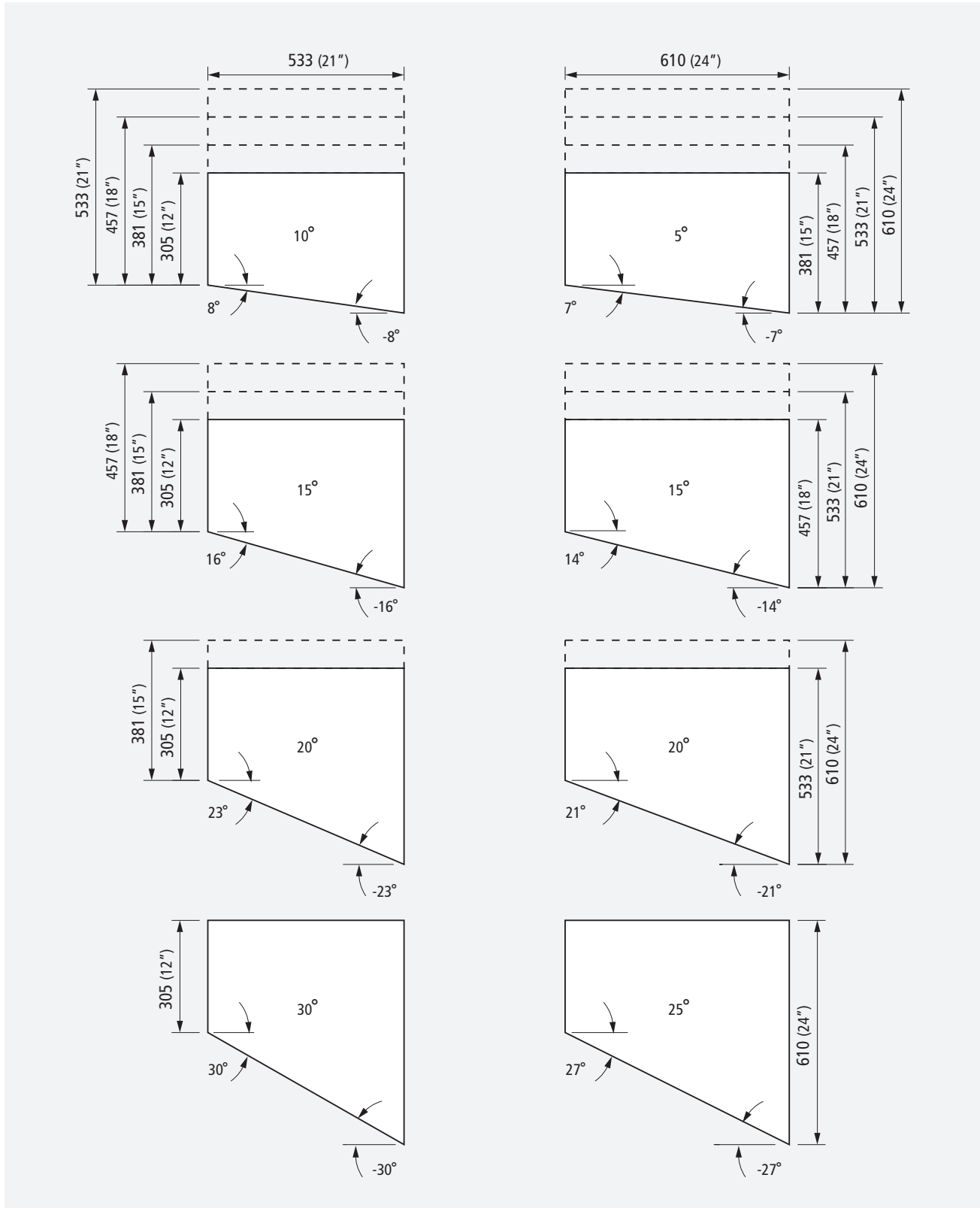


CCRM 2018



I Hinges I  
**CLIP and CLIP top Hinges**  
 Angled Cabinet Configuration

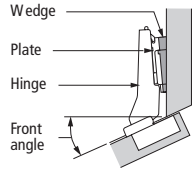
Match desired configuration to "Angle-to-style cross-reference" chart on page 3B44



- 1 SCREWS AND FASTENERS
- 2 FURNITURE EQUIPMENT
- 3 HINGES**
- 4 SLIDES
- 5 CASTERS AND LEGS
- 6 KITCHEN SOLUTIONS
- 7 CLOSET SOLUTIONS
- 8 LIGHTING SOLUTIONS
- 9 SINKS AND FAUCETS
- 10 OFFICE
- 11 SLIDING DOORS SYSTEMS
- 12 GLASS HARDWARE
- 13 PANELS AND SURFACES
- 14 EDGE-BANDING
- 15 CABINET DOORS AND DRAWERS
- 16 MOLDINGS, CORBELS AND WINE CELLARS
- 17 GLUES, SILICONES, CAULK AND INSULATING
- 18 TOOLS AND SECURITY
- 19 FINISHING PRODUCTS AND ABRASIVES
- 20 COMMERCIAL DISPLAY AND HARDWARE
- 21 BUILDERS HARDWARE

CCRM 2018

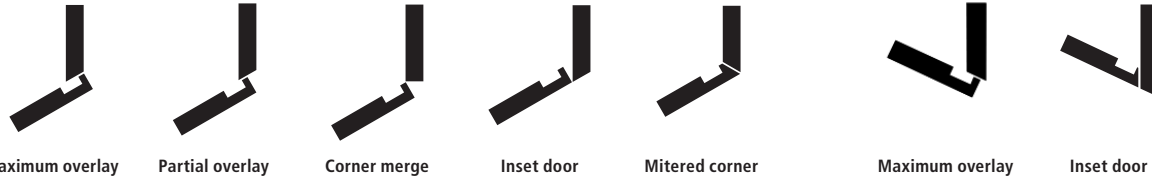
I Hinges I  
**CLIP and CLIP top Hinges**  
 Angled-to-Style Cross Reference



| Code number |                            | Part number |
|-------------|----------------------------|-------------|
| Hinge       | CLIP top hinge             | Part number |
| Plate       | CLIP mounting plate        | Part number |
| Wedge       | May or may not be required | Part number |

Positive angles

Negative angles



|             | 1           | 10          | 19          | 27          |            | 42          | 51          |      |
|-------------|-------------|-------------|-------------|-------------|------------|-------------|-------------|------|
| 5°          | 71T955180   | 71T955180   | 71T965180   | 71T979180   |            | 71T955180   | 71T965180   |      |
|             | 173H710180  | 173H710180  | 173H710180  | 173H710180  |            | 173H710180  | 173H710180  |      |
|             | 171A5010180 | 171A5010180 | 171A5070180 | 171A5010180 |            | 171A5500180 | 171A5500180 |      |
| 15°         |             |             | 21          | 29          | 36         |             |             |      |
|             |             |             | 79A9595180  | 79A9595180  | 79A9595180 |             |             | -15° |
|             |             |             | 173H713180  | 175H919180  | 173H710180 |             |             |      |
|             |             | 171A5500180 | 171A5500180 | 171A5500180 |            |             |             |      |
| 20°         |             | 13          | 22          |             | 37         |             |             |      |
|             |             | 79A9595180  | 79A9595180  |             | 79A9595180 |             |             | -20° |
|             |             | 173H710180  | 175H919180  |             | 175H916180 |             |             |      |
|             |             | —           |             | —           |            |             |             |      |
| 25°         |             | 14          |             |             |            |             |             |      |
|             |             | 79A9595180  |             |             |            |             |             | -25° |
|             |             | 173H710180  |             |             |            |             |             |      |
|             |             | 171A5010180 |             |             |            |             |             |      |
| 40°         | 8           | 17          |             |             |            |             |             |      |
|             | 79A9498180  | 79A9498180  |             |             | 49         |             |             | -40° |
|             | 173H710180  | 175H916180  |             |             | 71T955180  |             |             |      |
| 171A5500180 | —           |             |             | 173H710180  |            |             |             |      |
| 45°         | 9           | 18          | 26          |             |            |             |             |      |
|             | 79A9498180  | 79T559180   | 79A965180   |             | 50         |             |             | -45° |
|             | 175H916180  | 173H710180  | 173H710180  |             | 79A5490180 |             |             |      |
|             |             |             |             | 173H713180  |            |             |             |      |
|             | —           | —           | —           |             |            |             |             |      |

# Hinges I

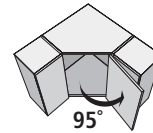
## CLIP and CLIP top Hinges

### CLIP Angle Cross Corner 45°

- For corner cabinets with set back doors
- For display cabinets
- All metal hinge, nickel plated
- 95° opening angle
- With closing mechanism (spring)
- Tool free assembly and removal of door
- 3-dimensional adjustment (with relevant mounting plate)
- Standard packaging: Box of 50/250

**See also**

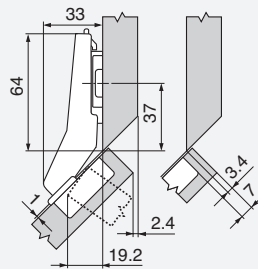
|                     |                     |
|---------------------|---------------------|
| Cover caps          | See page 3B41       |
| Mounting plates     | See page 3B47 to 49 |
| BLUMOTION for doors | See page 3B2 to 9   |



### Applications

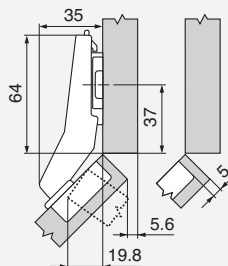
#### Panel cabinet applications

##### Overlay door

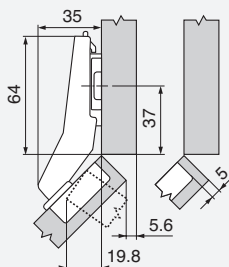


Required side adjustment: + 1.7 mm

##### Twin overlay doors

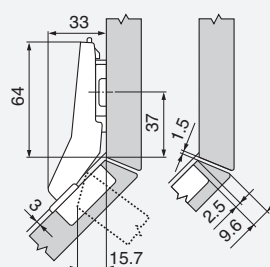


##### Inset door



Use hinge for corner cabinet and 18 mm thick mounting plate 175H919022180

##### Mitered door



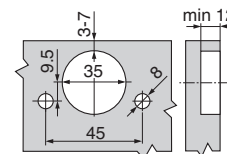
#### Angled 45° hinges

|          | Self close |
|----------|------------|
| Screw-On | 79A965180  |
| Press-In | -          |
| INSERTA  | 79A9698180 |



Important: These dimensions are based on a 19 mm thick door and carcass. Dimensions would need to be altered if either thickness varied from 19 mm. In these cases a trial is recommended. Some applications require the mounting plate to be moved from the standard fixing positions.

#### Knock-in or Inserta



- 1 SCREWS AND FASTENERS
- 2 FURNITURE EQUIPMENT
- 3 HINGES
- 4 SLIDES
- 5 CASTERS AND LEGS
- 6 KITCHEN SOLUTIONS
- 7 CLOSET SOLUTIONS
- 8 LIGHTING SOLUTIONS
- 9 SINKS AND FAUCETS
- 10 OFFICE
- 11 SLIDING DOORS SYSTEMS
- 12 GLASS HARDWARE
- 13 PANELS AND SURFACES
- 14 EDGE-BANDING
- 15 CABINET DOORS AND DRAWERS
- 16 MOLDINGS, CORBELS AND WINE CELLARS
- 17 GLUES, SILICONES, CAULK AND INSULATING
- 18 TOOLS AND SECURITY
- 19 FINISHING PRODUCTS AND ABRASIVES
- 20 COMMERCIAL DISPLAY AND HARDWARE
- 21 BUILDERS HARDWARE

# I Hinges I

## CLIP and CLIP top Hinges

### CLIP Mounting Plates

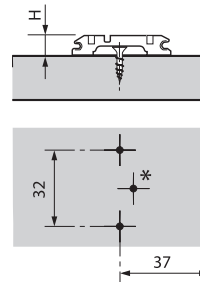


## Richelieu Section 3B

### Cam Mounting Plate

- Material: Steel, nickel plated
- Attached with wood screws #6 x 5/8" (see section 1)
- Cam height adjustable +/-2mm
- \*Add additional wood screw if used with wide angled hinges
- Wood screws #6 x 5/8"

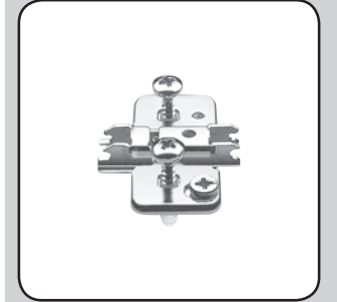
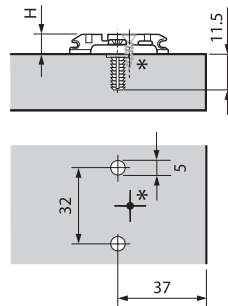
| PRODUCT    | HEIGHT       | QTY/BOX |
|------------|--------------|---------|
| 173H710180 | (H) Height 0 | 500     |
| 173H713180 | (H) Height 3 | 500     |



### EXPANDO Cam Mounting Plate

- Material: Steel, nickel plated
- Attached with pre-mounted screws with EXPANDO dowels
- Cam height adjustment +/-2mm
- \*Add additional wood screw if used with wide angled hinges
- EXPANDO dowels pre-mounted

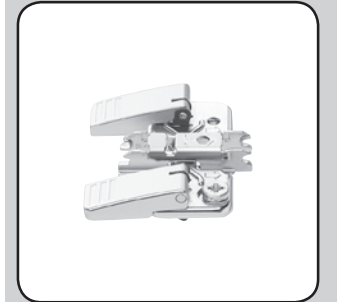
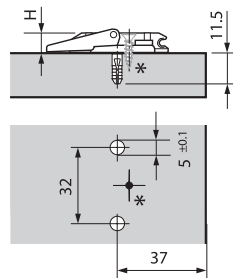
| PRODUCT    | HEIGHT       | QTY/BOX |
|------------|--------------|---------|
| 174H710180 | (H) Height 0 | 500     |
| 174H713180 | (H) Height 3 | 500     |



### INSERTA Cam Mounting Plate

- Material: Steel (closing lever – zinc die-cast, nickel plated)
- Tool-free assembly with self-anchoring feature
- Cam height adjustment +/-2mm
- \*Add additional wood screw if used with wide angle hinges
- INSERTA dowels pre-mounted

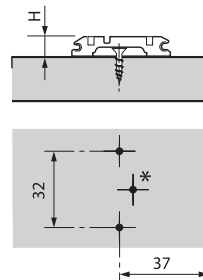
| PRODUCT    | HEIGHT       | QTY/BOX |
|------------|--------------|---------|
| 174E710180 | (H) Height 0 | 250     |
| 174E713180 | (H) Height 3 | 250     |



### One Piece Wing Mounting Plate

- Material: Steel, nickel plated
- Attached with wood screws #6 x 5/8" (see section 1)
- Height adjustment +/-3mm
- \*Add additional wood screw if used with wide angled hinges
- Wood screws #6 x 5/8"

| PRODUCT    | HEIGHT       | QTY/BOX |
|------------|--------------|---------|
| 173L610180 | (H) Height 0 | 500     |
| 173L613180 | (H) Height 3 | 500     |



CCRM 2018

# Hinges I

## CLIP and CLIP top Hinges

### CLIP Mounting Plates

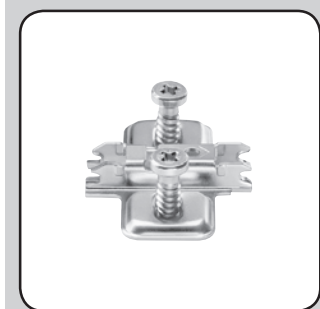
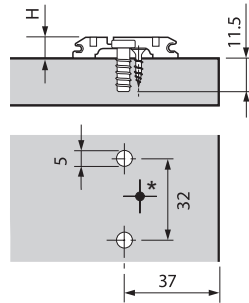


## Richelieu Section 3B

### One Piece Wing Mounting Plate

- Material: Steel, nickel plated
- Attached with pre-mounted system screws  $\varnothing$  5mm
- Height adjustment  $\pm$ 3mm
- \*Add additional wood screw if used with wide angled hinges
- System screws pre-mounted  $\varnothing$  5mm

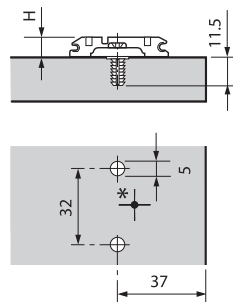
| PRODUCT    | HEIGHT       | QTY/BOX |
|------------|--------------|---------|
| 173L810180 | (H) Height 0 | 500     |
| 173L813180 | (H) Height 3 | 500     |



### EXPANDO Mounting Plate

- Material: Steel, nickel plated
- Attached with pre-mounted screws with EXPANDO dowels
- Height adjustment  $\pm$ 2mm
- \*Add additional wood screw if used with wide angled hinges
- EXPANDO dowels pre-mounted

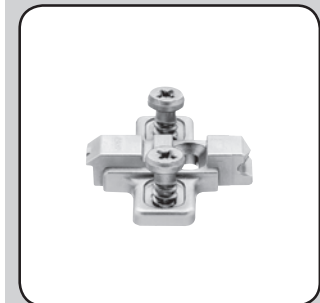
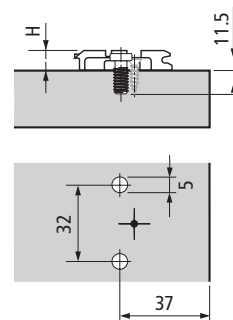
| PRODUCT    | HEIGHT       | QTY/BOX |
|------------|--------------|---------|
| 174E610180 | (H) Height 0 | 500     |



### One Piece Wing Mounting Plate

- Material: Zinc die-cast, nickel plated
- Attached with pre-mounted system screws  $\varnothing$  5mm
- Height adjustment  $\pm$ 3mm
- Add additional wood screw if used with wide angle hinges

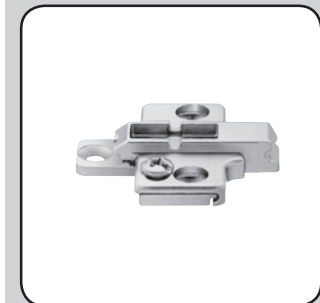
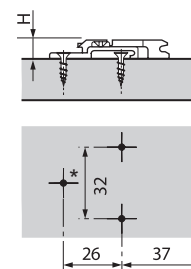
| PRODUCT    | SYSTEM SCREWS     | HEIGHT       | QTY/BOX |
|------------|-------------------|--------------|---------|
| 175L810180 | Pre-mounted       | (H) Height 0 | 500     |
| 175L819180 | $\varnothing$ 5mm | (H) Height 9 | 50/250  |



### Two-Piece Wing Mounting Plate

- Material: Zinc die-cast, nickel plated
- Attached with wood screws #6 x 5/8" (see section 1)
- Height adjustment  $\pm$ 2mm
- \*Add additional wood screw if used with wide angled hinges

| PRODUCT    | HEIGHT       | QTY/BOX |
|------------|--------------|---------|
| 175H710180 | (H) Height 0 | 500     |
| 175H713180 | (H) Height 3 | 50/250  |
| 175H719180 | (H) Height 9 | 50/250  |



|    |  |
|----|--|
| 1  | SCREWS AND FASTENERS                   |
| 2  | FURNITURE EQUIPMENT                    |
| 3  | HINGES                                 |
| 4  | SLIDES                                 |
| 5  | CASTERS AND LEGS                       |
| 6  | KITCHEN SOLUTIONS                      |
| 7  | CLOSET SOLUTIONS                       |
| 8  | LIGHTING SOLUTIONS                     |
| 9  | SINKS AND FAUCETS                      |
| 10 | OFFICE                                 |
| 11 | SLIDING DOORS SYSTEMS                  |
| 12 | GLASS HARDWARE                         |
| 13 | PANELS AND SURFACES                    |
| 14 | EDGE-BANDING                           |
| 15 | CABINET DOORS AND DRAWERS              |
| 16 | MOLDINGS, CORBELS AND WINE CELLARS     |
| 17 | GLUES, SILICONES, CAULK AND INSULATING |
| 18 | TOOLS AND SECURITY                     |
| 19 | FINISHING PRODUCTS AND ABRASIVES       |
| 20 | COMMERCIAL DISPLAY AND HARDWARE        |
| 21 | BUILDERS HARDWARE                      |

# I Hinges I

## CLIP and CLIP top Hinges

### CLIP Mounting Plates

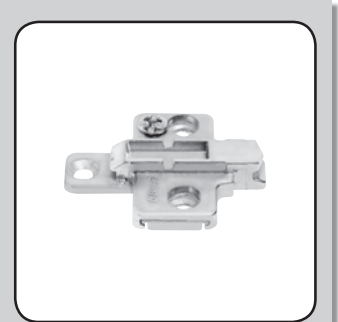
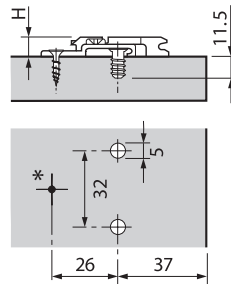


## Richelieu Section 3B

### Two Piece Wing Mounting Plate

- Material: Zinc die-cast, nickel plated
- Attached with system screws Ø 5mm (6611152G)
- Height adjustment +/-2mm
- \*Add additional wood screw if used with wide angled hinges

| PRODUCT       | HEIGHT        | QTY/BOX |
|---------------|---------------|---------|
| 175H910180    | (H) Height 0  | 50/250  |
| 175H913180    | (H) Height 3  | 50/250  |
| 175H916180    | (H) Height 6  | 50/250  |
| 175H919180    | (H) Height 9  | 50/250  |
| 175H919022180 | (H) Height 18 | 250     |



### Angled Spacer Wedges for Negative and Positive Angled Hinges

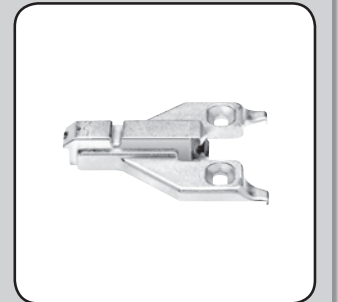
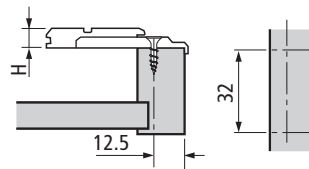


| -5°         | +5°         | +5°         | +5°         | QTY/BOX |
|-------------|-------------|-------------|-------------|---------|
| 171A5500180 | 171A5010180 | 171A5040180 | 171A5070180 | 50/250  |

### Face Frame Adapter Plate – Off-Center Mount

- Material: Zinc die-cast, nickel plated
- Attached with wood screws #7 x 3/4" (see section 1)
- Height adjustment +/-2mm
- Use of the PlateMate recommended (see page 3C1)
- Wood screws #7 x 3/4"

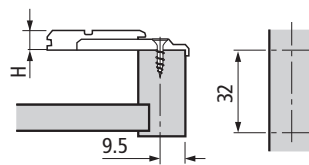
| PRODUCT       | HEIGHT       | QTY/BOX |
|---------------|--------------|---------|
| 175L660022180 | (H) Height 0 | 500     |
| 175L663022180 | (H) Height 3 | 500     |



### Face Frame Adapter Plate – Center Mount

- Material: Zinc die-cast, nickel plated
- Attached with wood screws #7 x 3/4" (see section 1)
- Height adjustment +/-2mm
- Use of the PlateMate recommended (see page 3C1)
- Wood screws #7 x 3/4"

| PRODUCT       | HEIGHT       | QTY/BOX |
|---------------|--------------|---------|
| 175L603021180 | (H) Height 3 | 500     |



CCRM 2018

# Hinges I

## CLIP and CLIP top Hinges

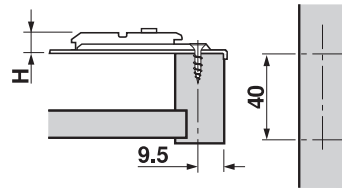
### CLIP Face Frame Adapter Plates



## Richelieu Section 3B

#### Face Frame Cam Adapter Plate – Center Mount

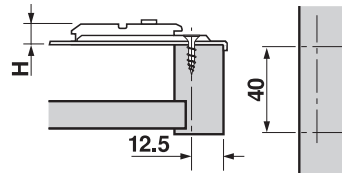
- Material: Steel, zinc die-cast and nickel plated
- Center mount (9.5mm)
- Cam height adjustment +/-2mm
- Use of the PlateMate 655030 recommended
- Attached with wood screws #7 x 3/4"
- Center mount 9.5mm



| PRODUCT    | HEIGHT       | QTY/BOX |
|------------|--------------|---------|
| 175H600180 | (H) Height 0 | 250     |
| 175H603180 | (H) Height 3 | 250     |

#### Face Frame Cam Adapter Plate – Off-Center Mount

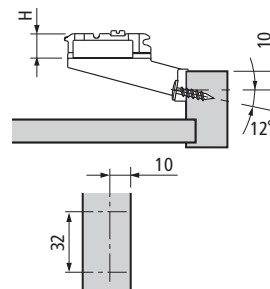
- Material: Steel, zinc die-cast and nickel plated
- Off-center mount (12.5mm) from front edge
- Cam height adjustment +/-2mm
- Use of the PlateMate 655030 recommended
- Attached with wood screws #7 x 3/4"
- To be use with INSERTA hinges
- Off-center mount 12.5mm



| PRODUCT    | HEIGHT       | QTY/BOX |
|------------|--------------|---------|
| 175H660180 | (H) Height 0 | 250     |

#### Inset Face Frame Cam Adapter Plate

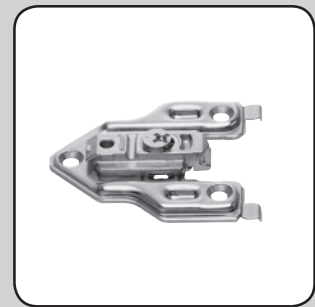
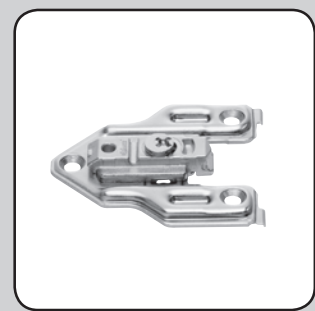
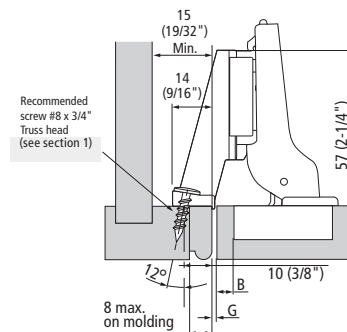
- Use with half-cranked hinges only
- Material: Zinc die-cast, nickel plated
- Attached with truss head screws #8 x 3/4" (see section 1)
- No build-up behind face frame is necessary
- Can be used on frames with applied bead molding
- Cam height adjustment +/-2mm
- 170° hinges not recommended
- Use of the PlateMate 655030 required (see page 3C1)
- Wood screws #8 x 3/4" truss head



| PRODUCT       | HEIGHT       | QTY/BOX |
|---------------|--------------|---------|
| 175H503021180 | (H) Height 9 | 250     |

| BORING DISTANCE (B) | 6 (1/4")    | 5 (3/16")   | 4 (5/32")   | 3 (1/8")    |
|---------------------|-------------|-------------|-------------|-------------|
| DOOR GAP (G)        | 1.6 (1/16") | 2.6 (3/32") | 3.6 (5/32") | 4.6 (3/16") |

Note: Pre-bore holes for mounting to frame at 12° with 655030 boring template



|    |  |
|----|--|
| 1  | SCREWS AND FASTENERS                   |
| 2  | FURNITURE EQUIPMENT                    |
| 3  | HINGES                                 |
| 4  | SLIDES                                 |
| 5  | CASTERS AND LEGS                       |
| 6  | KITCHEN SOLUTIONS                      |
| 7  | CLOSET SOLUTIONS                       |
| 8  | LIGHTING SOLUTIONS                     |
| 9  | SINKS AND FAUCETS                      |
| 10 | OFFICE                                 |
| 11 | SLIDING DOORS SYSTEMS                  |
| 12 | GLASS HARDWARE                         |
| 13 | PANELS AND SURFACES                    |
| 14 | EDGE-BANDING                           |
| 15 | CABINET DOORS AND DRAWERS              |
| 16 | MOLDINGS, CORBELS AND WINE CELLARS     |
| 17 | GLUES, SILICONES, CAULK AND INSULATING |
| 18 | TOOLS AND SECURITY                     |
| 19 | FINISHING PRODUCTS AND ABRASIVES       |
| 20 | COMMERCIAL DISPLAY AND HARDWARE        |
| 21 | BUILDERS HARDWARE                      |





# Hinges I

## COMPACT Hinges

# Richelieu Section 3C

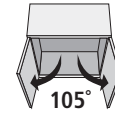
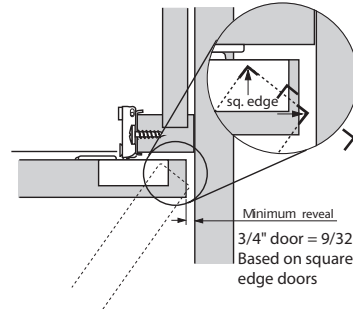
### COMPACT 38N, 105°

- Steel, nickel plated
- 105° opening angle
- One piece assembly
- Wrap around mount
- 7/16" cup depth
- +/-1/8" height adjustment
- +/-1/16" side adjustment
- +3/32" -1/32" cam depth adjustment
- Standard packaging: Box of 250

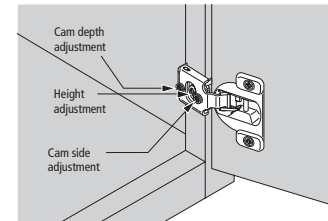
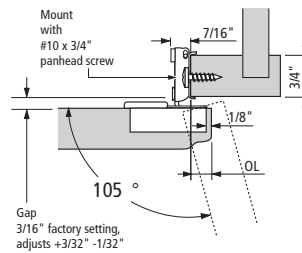
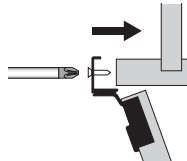
**See also**

|                              |            |
|------------------------------|------------|
| General specs & installation | Page 3C1   |
| BLUMOTION for doors          | Section 3B |

#### Minimum Reveal



#### Overlay application



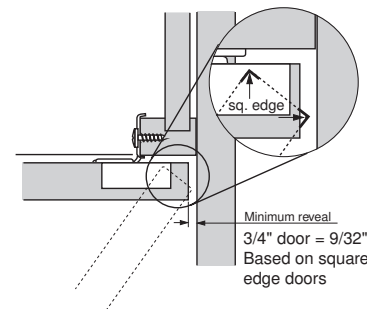
| WRAP AROUND | 1/2"        | 3/4"        |
|-------------|-------------|-------------|
| Screw-on    | 38N35508180 | 38N35512180 |
| Press-in    | 38N35808180 | -           |



#### Features

- Steel, nickel plated
- 105° opening angle
- One piece assembly
- Edge mount
- 7/16" cup depth
- +/-1/8" height adjustment
- Standard packaging: Box of 250

#### Minimum Reveal

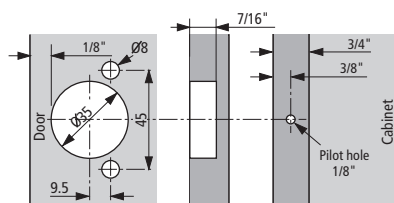


#### Edge mount

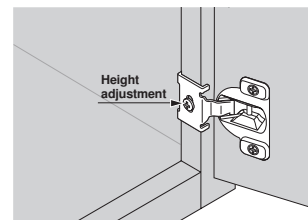
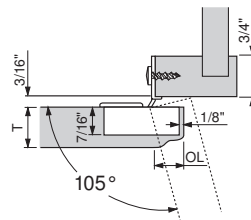
Press-in

1/2"

38358E08180



38N & 38 Blum boring pattern



CCRM 2018

- 1 SCREWS AND FASTENERS
- 2 FURNITURE EQUIPMENT
- 3 HINGES
- 4 SLIDES
- 5 CASTERS AND LEGS
- 6 KITCHEN SOLUTIONS
- 7 CLOSET SOLUTIONS
- 8 LIGHTING SOLUTIONS
- 9 SINKS AND FAUCETS
- 10 OFFICE
- 11 SLIDING DOORS SYSTEMS
- 12 GLASS HARDWARE
- 13 PANELS AND SURFACES
- 14 EDGE-BANDING
- 15 CABINET DOORS AND DRAWERS
- 16 MOLDINGS, CORBELS AND WINE CELLARS
- 17 GLUES, SILICONES, CAULK AND INSULATING
- 18 TOOLS AND SECURITY
- 19 FINISHING PRODUCTS AND ABRASIVES
- 20 COMMERCIAL DISPLAY AND HARDWARE
- 21 BUILDERS HARDWARE

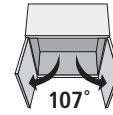
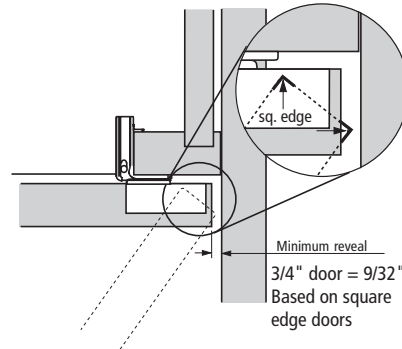
**COMPACT 38C, 107°**

- Steel, nickel plated
- 107° opening angle
- One piece assembly
- Wrap around mount
- 7/16" cup depth
- +/-1/8" height adjustment
- +/-1/16" cam side adjustment
- +3/32" -1/32" cam depth adjustment
- Standard packaging: Box of 300

See also

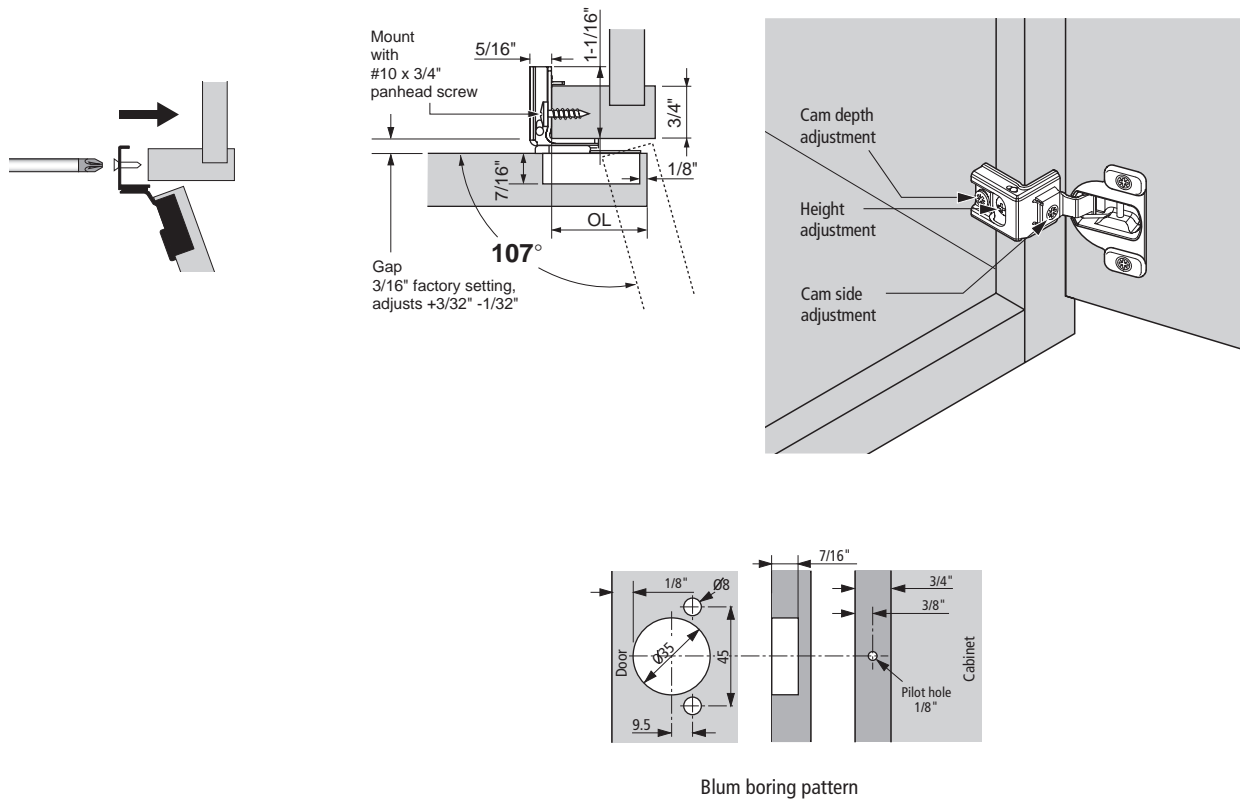
|                              |            |
|------------------------------|------------|
| General specs & installation | Page 3C1   |
| BLUMOTION for doors          | Section 3B |

Minimum Reveal



Overlay application

|          |                    |
|----------|--------------------|
|          | <b>1-1/4"</b>      |
| Screw-on | <b>38C35520180</b> |



# Hinges I

## COMPACT Hinges

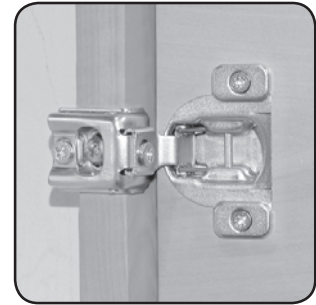
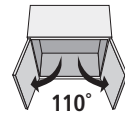
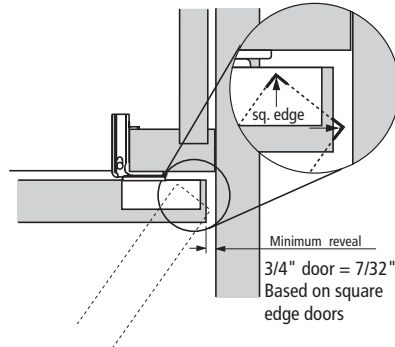
### COMPACT 39C, 110°

- Steel, nickel plated
- 110° opening angle
- One piece assembly
- Wrap around mount
- 1/2" cup depth
- +/-1/8" height adjustment
- +/-1/16" cam side adjustment
- +3/32" -1/32" cam depth adjustment
- Standard packaging: Box of 300

**See also**

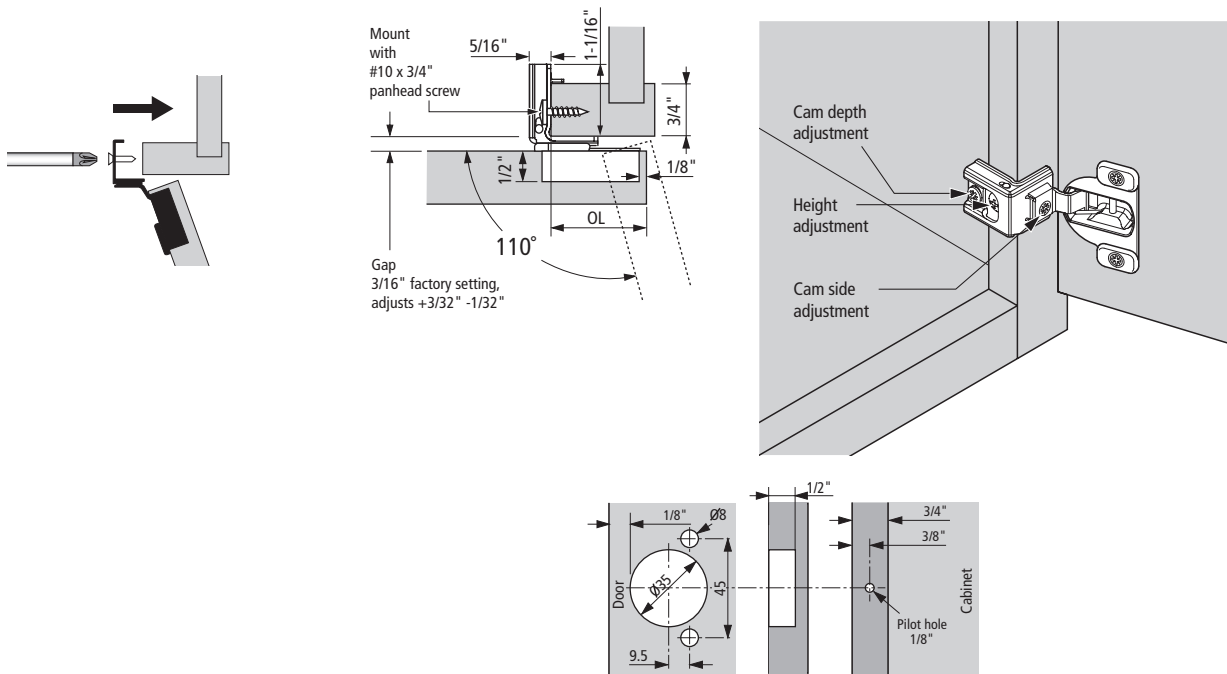
|                              |            |
|------------------------------|------------|
| General specs & installation | Page 3C1   |
| BLUMOTION for doors          | Section 3B |

#### Minimum Reveal



#### Overlay application

|          | 1-1/4"      |
|----------|-------------|
| Screw-on | 39C35520180 |
| Press-in | 39C3580180  |



- 1 SCREWS AND FASTENERS
- 2 FURNITURE EQUIPMENT
- 3 HINGES
- 4 SLIDES
- 5 CASTERS AND LEGS
- 6 KITCHEN SOLUTIONS
- 7 CLOSET SOLUTIONS
- 8 LIGHTING SOLUTIONS
- 9 SINKS AND FAUCETS
- 10 OFFICE
- 11 SLIDING DOORS SYSTEMS
- 12 GLASS HARDWARE
- 13 PANELS AND SURFACES
- 14 EDGE-BANDING
- 15 CABINET DOORS AND DRAWERS
- 16 MOLDINGS, CORBELS AND WINE CELLARS
- 17 GLUES, SILICONES, CAULK AND INSULATING
- 18 TOOLS AND SECURITY
- 19 FINISHING PRODUCTS AND ABRASIVES
- 20 COMMERCIAL DISPLAY AND HARDWARE
- 21 BUILDERS HARDWARE

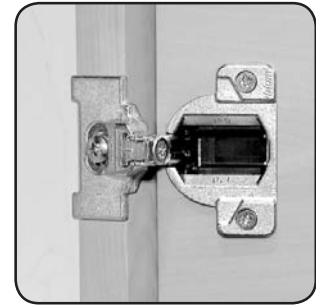
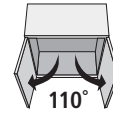
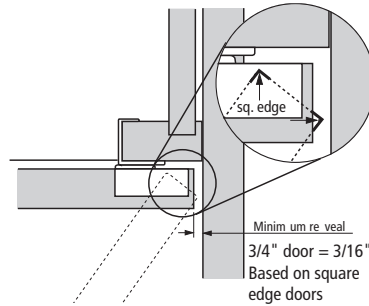
**COMPACT 33, 110°**

- Zinc die-cast hinge and mounting plates
- 110° opening angle
- Two piece assembly
- Wrap around, edge or face mount
- 1/2" cup depth
- +/- 9/64" height adjustment
- -1/8" side adjustment only
- Standard packaging: Box of 25/250

**See also**

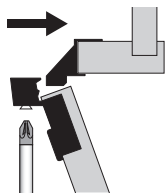
|                              |            |
|------------------------------|------------|
| General specs & installation | Page 3C1   |
| BLUMOTION for doors          | Section 3B |

**Minimum Reveal**

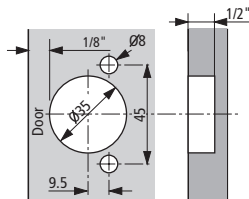


**Overlay Application**

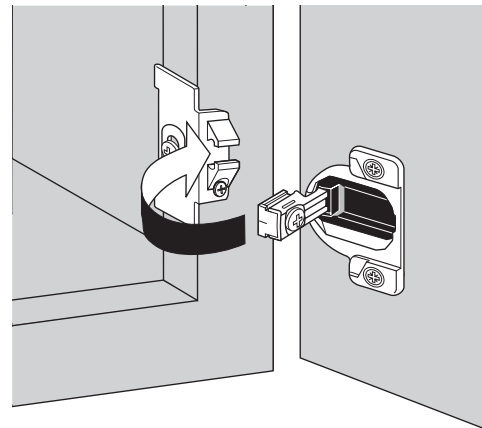
|          |                   |                        |
|----------|-------------------|------------------------|
| Screw-on | <b>33360180 *</b> | with barcode packaging |
| Screw-on | <b>UC33460180</b> |                        |
| Press-in | <b>33363180</b>   |                        |



COMPACT 33 hinges are designed to slide on to edge mount, wrap around or face mount applied mounting plates.



Blum boring pattern



# Hinges I

## COMPACT Hinges

### COMPACT 33 Mounting Plates



## Richelieu Section 3C

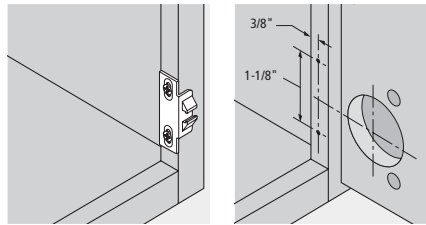
### Edge Mount Mounting Plates

- Material: Zinc die-cast, nickel plated
- Attached with #6 x 5/8" wood screws
- Overlays from 1/4" to 1-5/8"

| 1/4"        | 1/2"        | 5/8"      | 3/4"      | 1"        | QTY/BOX |
|-------------|-------------|-----------|-----------|-----------|---------|
| 13011024180 | 13011023180 | -         | -         | 130111180 | 250/500 |
| 1-1/8"      | 1-1/4"      | 1-3/8"    | 1-1/2"    | 1-5/8"    |         |
| 130112180   | 130113180   | 130114180 | 130115180 | -         | 250     |

#### Overlays

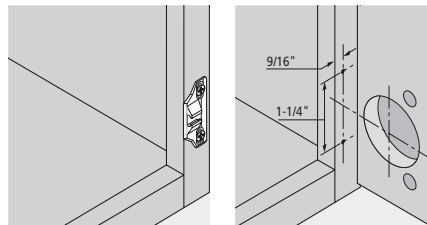
► An additional attachment screw is required on mounting plates with 1-3/8" to 1-5/8" overlays to insure stability. Install after height adjustments have been made.



### Face Mount Mounting Plates

- Material: Zinc die-cast, nickel plated
- Attached with #6 x 5/8" wood screws
- Overlay 1-3/8" or greater

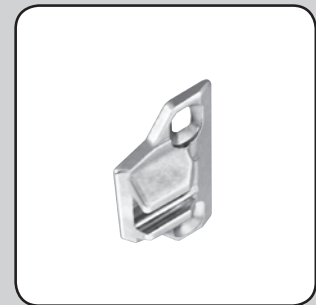
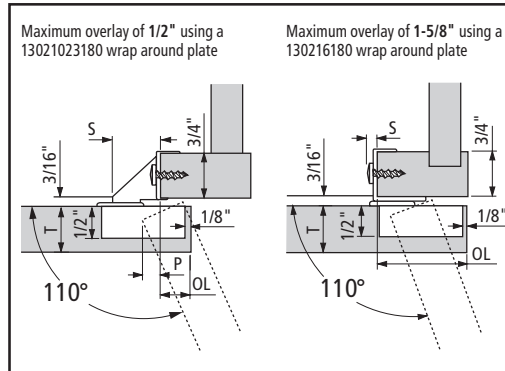
| OVERLAYS 1-3/8" + | QTY/BOX |
|-------------------|---------|
| 133024180         | 500     |



### Mounting Plate Specifications

| MOUNTING PLATE | OL     | S      | P    |
|----------------|--------|--------|------|
| 13011024180    | 1/4"   | 1-1/8" | 1/2" |
| 13011023180    | 1/2"   | 7/8"   | 1/4" |
| 130111180      | 1"     | 3/8"   | 0    |
| 130112180      | 1-1/8" | 1/4"   | 0    |
| 130113180      | 1-1/4" | 3/16"  | 0    |
| 130114180      | 1-3/8" | 3/16"  | 0    |
| 130115180      | 1-1/2" | 3/16"  | 0    |

Hinge arm protrusion (S), and door protrusion (P), for edge mount mounting plates



|    |  |
|----|--|
| 1  | SCREWS AND FASTENERS                   |
| 2  | FURNITURE EQUIPMENT                    |
| 3  | HINGES                                 |
| 4  | SLIDES                                 |
| 5  | CASTERS AND LEGS                       |
| 6  | KITCHEN SOLUTIONS                      |
| 7  | CLOSET SOLUTIONS                       |
| 8  | LIGHTING SOLUTIONS                     |
| 9  | SINKS AND FAUCETS                      |
| 10 | OFFICE                                 |
| 11 | SLIDING DOORS SYSTEMS                  |
| 12 | GLASS HARDWARE                         |
| 13 | PANELS AND SURFACES                    |
| 14 | EDGE-BANDING                           |
| 15 | CABINET DOORS AND DRAWERS              |
| 16 | MOLDINGS, CORBELS AND WINE CELLARS     |
| 17 | GLUES, SILICONES, CAULK AND INSULATING |
| 18 | TOOLS AND SECURITY                     |
| 19 | FINISHING PRODUCTS AND ABRASIVES       |
| 20 | COMMERCIAL DISPLAY AND HARDWARE        |
| 21 | BUILDERS HARDWARE                      |





# Hinges I

## Blum Accessories



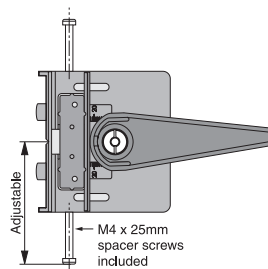
## Richelieu Section 3D

### PlateMate

- Boring template for all Blum face frame adapter plates
- Clamps to the frame with cam lever. Adjustment knob accommodates frame thickness of 5/8" to 1"
- Spacer screws permit quick use without measuring

#### Includes:

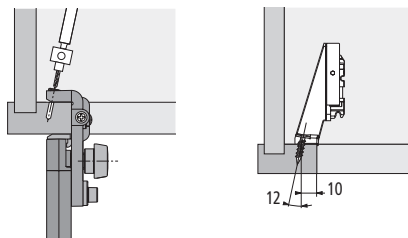
- 2.5mm pilot bit and drill bit extension
- reversible bushing insert for 32mm hole spacing (for 175L6xxx)
- reversible bushing insert for 40mm hole spacing (for 175H6xxx)
- bushings reverse from 9.5mm to 12.7mm setback



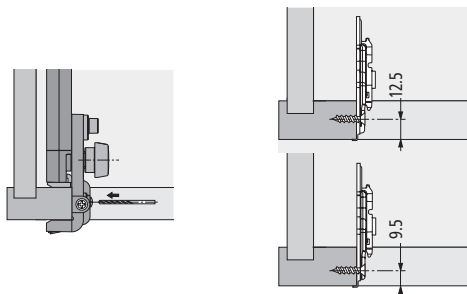
| PRODUCT | DESCRIPTION | QTY/BOX |
|---------|-------------|---------|
| 655030  | PlateMate   | 1       |

#### Using the PlateMate

Boring pilot holes for inset face frame adapter plate



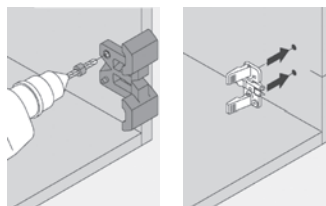
Boring pilot holes for overlay face frame adapter plate



### Blum Mounting Plate Drilling Jig

#### Specifications:

- Simple location of cruciform mounting plate fixing positions
- Transfer of measurements from door to carcass
- Precise 32 mm system drilling thanks to positioning pin (particularly important for INSERTA mounting plates)
- Drilling jig incl. 1 pce. drilling depth stop for drill Ø 5 mm
- Suitable for: Cruciform mounting plate 37/32 (systems screws, EXPANDO or INSERTA)
- As well for BLUMOTION - cruciform adapter plate



| PRODUCT | DESCRIPTION                     | QTY/BOX |
|---------|---------------------------------|---------|
| 655070  | Drilling jig for mounting plate | 1       |

### Blum «Ecodrill»

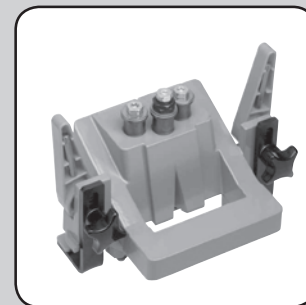
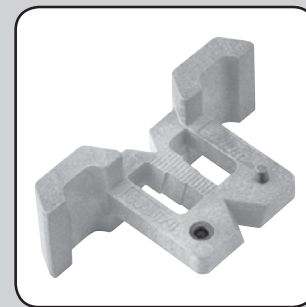
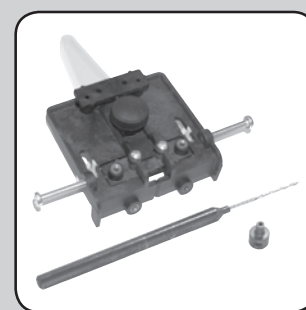
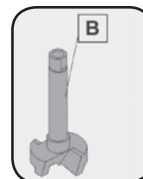
#### Specifications:

- Simple hand held tool to drill accurate hole patterns for Blum hinges
- Driven by hand drill
- Variable drilling distance (from 2 to 8)
- Clamps to work piece

#### Includes:

- 1pce. drilling gauge, 1pce. drill Ø 35 mm, 2 pcs, drills Ø 8 mm, 2 pcs. Torx bits

| PRODUCT | DESCRIPTION  | LENGTH | QTY/BOX |
|---------|--|--------|---------|
| M311000 | Ecodrill kit   | n/a    | 1       |
| M02ZB35 | (B) replacement drill bits (shank 35 mm - pin 10 mm) | 30 mm  | 1       |



1  
SCREWS  
AND  
FASTENERS

2  
FURNITURE  
EQUIPMENT

3  
HINGES

4  
SLIDES

5  
CASTERS  
AND LEGS

6  
KITCHEN  
SOLUTIONS

7  
CLOSET  
SOLUTIONS

8  
LIGHTING  
SOLUTIONS

9  
SINKS  
AND  
FAUCETS

10  
OFFICE

11  
SLIDING  
DOORS  
SYSTEMS

12  
GLASS  
HARDWARE

13  
PANELS  
AND  
SURFACES

14  
EDGE-  
BANDING

15  
CABINET  
DOORS  
AND  
DRAWERS

16  
MOLDINGS,  
CORBELS  
AND WINE  
CELLARS

17  
GLUES,  
SILICONES,  
CAULK AND  
INSULATING

18  
TOOLS  
AND  
SECURITY

19  
FINISHING  
PRODUCTS  
AND  
ABRASIVES

20  
COMMERCIAL  
DISPLAY AND  
HARDWARE

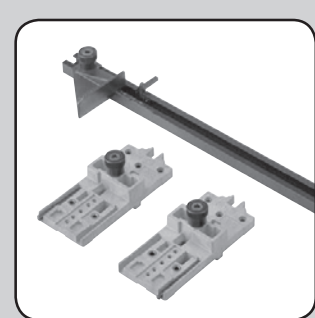
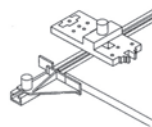
21  
BUILDERS  
HARDWARE

### Drilling Template for Blum Hinges

This template is a comprehensive device for accurately locating hinges to their corresponding mounting plates and vice-versa. The process is simple and involves little or no measuring which greatly reduces the possibility of operator error. For field installations or setting up production run, the template will « quickly » prove itself as a valuable tool.

**Includes:**

- (1) 1100 mm rail
- (2) adjustable templates
- (2) marking punch
- (1) adjustable door overlay stop
- (1) fixed stop (for assembled cabinets)
- (1) fixed stop (for unassembled cabinets)



| PRODUCT | DESCRIPTION              | QTY/BOX |
|---------|--------------------------|---------|
| 6575001 | Template for CLIP hinges | 1       |

# I Hinges I

## RCS Stainless Steel Hinges and Plates

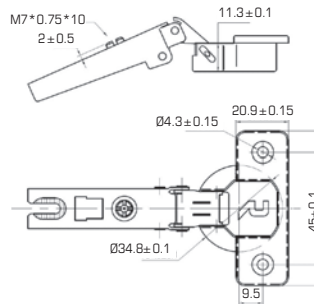
### Stainless Steel Hinge Slide-On 105°

- Drilling Diameter: 35 mm
- Stainless Steel SS304

| PRODUCT        | FIXING TYPE | DOOR POSITION | QTY/BOX |
|----------------|-------------|---------------|---------|
| RSL36100040170 | Screw-On    | Overlay       | 250     |

#### Suggested Product(s):

FQC2S658 – Stainless Steel Wood Screw, Flat Head, Coarse Thread, Quadrex Drive, Regular Wood Point  
 FQC2S658M1 – Stainless Steel Wood Screw, Flat Head, Coarse Thread, Quadrex Drive, Regular Wood Point



### Stainless Steel Hinge Slide-On 105°

- Stainless Steel SS304

| PRODUCT     | HEIGHT | QTY/BOX |
|-------------|--------|---------|
| RSL00100170 | 0 mm   | 500     |
| RSL00140170 | 4 mm   | 500     |

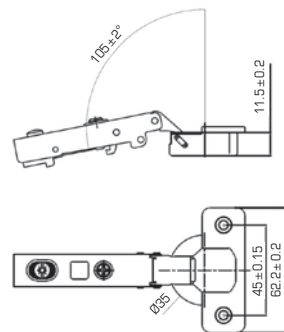
### Stainless Steel Hinge Clip-On, 105° with Soft-Close

- Drilling Diameter: 35 mm
- Stainless Steel SS304

| PRODUCT        | FIXING TYPE | DOOR POSITION | QTY/BOX |
|----------------|-------------|---------------|---------|
| RCS36050040170 | Screw-On    | Overlay       | 200     |
| RCS36050048170 | Dowels      | Overlay       | 200     |

#### Suggested Product(s):

FQC2S658 – Stainless Steel Wood Screw, Flat Head, Coarse Thread, Quadrex Drive, Regular Wood Point  
 FQC2S658M1 – Stainless Steel Wood Screw, Flat Head, Coarse Thread, Quadrex Drive, Regular Wood Point



### Stainless Steel Screw-in Plates

- Stainless Steel SS304

| PRODUCT     | HEIGHT | QTY/BOX |
|-------------|--------|---------|
| RCS00100170 | 0 mm   | 400     |
| RCS00120170 | 2 mm   | 400     |

## Richelieu Section 3E



|    |  |
|----|--|
| 1  | SCREWS AND FASTENERS                   |
| 2  | FURNITURE EQUIPMENT                    |
| 3  | HINGES                                 |
| 4  | SLIDES                                 |
| 5  | CASTERS AND LEGS                       |
| 6  | KITCHEN SOLUTIONS                      |
| 7  | CLOSET SOLUTIONS                       |
| 8  | LIGHTING SOLUTIONS                     |
| 9  | SINKS AND FAUCETS                      |
| 10 | OFFICE                                 |
| 11 | SLIDING DOORS SYSTEMS                  |
| 12 | GLASS HARDWARE                         |
| 13 | PANELS AND SURFACES                    |
| 14 | EDGE-BANDING                           |
| 15 | CABINET DOORS AND DRAWERS              |
| 16 | MOLDINGS, CORBELS AND WINE CELLARS     |
| 17 | GLUES, SILICONES, CAULK AND INSULATING |
| 18 | TOOLS AND SECURITY                     |
| 19 | FINISHING PRODUCTS AND ABRASIVES       |
| 20 | COMMERCIAL DISPLAY AND HARDWARE        |
| 21 | BUILDERS HARDWARE                      |

CCRM 2018

# I Hinges I

## RCS Hinges

# Richelieu

## Section 3E

### Blind Corner Hinges

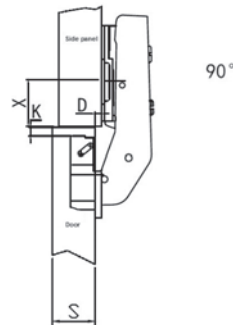
- Drilling Diameter: 35 mm

#### BLIND CORNER HINGES WITH SOFT-CLOSE

| PRODUCT     | FIXING TYPE | DOOR POSITION | QTY/BOX |
|-------------|-------------|---------------|---------|
| RCS35900048 | 8 mm Dowels | Blind Corner  | 100     |
| RCS35900040 | Screw-On    | Blind Corner  | 100     |

#### BLIND CORNER HINGE WITHOUT SOFT-CLOSE

| PRODUCT     | FIXING TYPE | DOOR POSITION | QTY/BOX |
|-------------|-------------|---------------|---------|
| RCS35900058 | 8 mm Dowels | Blind Corner  | 100     |
| RCS35900050 | Screw-On    | Blind Corner  | 100     |



BLIND CORNER HINGE WITH AND WITHOUT SOFT-CLOSE

### RCS Hinges 45° Angle

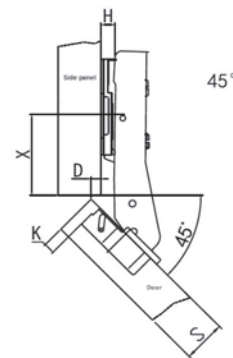
- Drilling Diameter: 35 mm

#### HINGES 45° ANGLE WITH SOFT-CLOSE

| PRODUCT     | FIXING TYPE | DOOR POSITION | QTY/BOX |
|-------------|-------------|---------------|---------|
| RCS35450048 | 8 mm Dowels | 45° Angle     | 100     |
| RCS35450040 | Screw-On    | 45° Angle     | 100     |

#### HINGE 45° ANGLE WITHOUT SOFT-CLOSE

| PRODUCT     | FIXING TYPE | DOOR POSITION | QTY/BOX |
|-------------|-------------|---------------|---------|
| RCS35450058 | 8 mm Dowels | 45° Angle     | 100     |



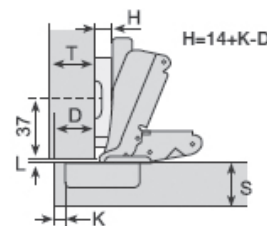
HINGE 45° WITH AND WITHOUT SOFT-CLOSE - 45° ANGLE

### RCS Thick Door Hinge 95°

- Drilling Diameter: 40 mm

#### THICK DOOR HINGE 95° WITH SOFT-CLOSE

| PRODUCT     | FIXING TYPE | DOOR POSITION | QTY/BOX |
|-------------|-------------|---------------|---------|
| RCS40950040 | Screw-On    | Full Overlay  | 200     |

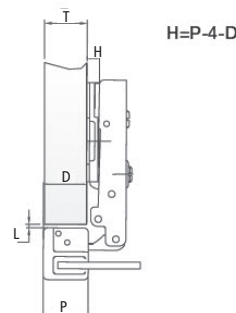


THICK DOOR HINGE 95° WITH SOFT-CLOSE

### RCS 105° Hinge

#### HINGES FOR ALUMINUM FRAME WITH SOFT-CLOSE

| PRODUCT     | FIXING TYPE | DOOR POSITION | QTY/BOX |
|-------------|-------------|---------------|---------|
| RCS27100040 | Screw-On    | Full Overlay  | 200     |



HINGE FOR ALUMINUM FRAME WITH SOFT-CLOSE

# Hinges | RCS Hinges

## RCS Concealed 105° Hinges

- Drilling Diameter: 35 mm

### HINGES 105° WITH SOFT-CLOSE

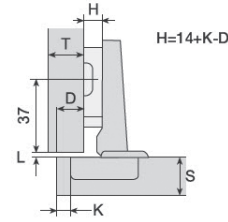
| PRODUCT     | FIXING TYPE           | DOOR POSITION | QTY/BOX |
|-------------|-----------------------|---------------|---------|
| RCS34100048 | 8 mm Dowels           | Full Overlay  | 200     |
| RCS34100948 | 8 mm Dowels           | Half Overlay  | 200     |
| RCS34101748 | 8 mm Dowels           | Inset         | 200     |
| RCS34100040 | Screw-On              | Full Overlay  | 200     |
| RCS34100940 | Screw-On              | Half Overlay  | 200     |
| RCS34101740 | Screw-On              | Inset         | 200     |
| RCS35100057 | Expanding 8 mm Dowels | Full Overlay  | 200     |
| RCS35100957 | Expanding 8 mm Dowels | Half Overlay  | 200     |

## RCS Concealed 105° Hinges

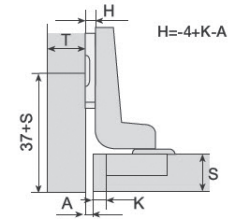
- Drilling Diameter: 35 mm

### HINGES 105° WITHOUT SOFT-CLOSE

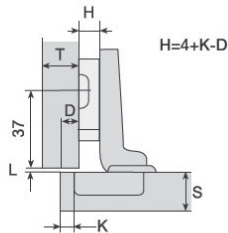
| PRODUCT     | FIXING TYPE | DOOR POSITION | QTY/BOX |
|-------------|-------------|---------------|---------|
| RCS34100058 | 8 mm Dowels | Full Overlay  | 200     |
| RCS34100958 | 8 mm Dowels | Half Overlay  | 200     |
| RCS34101758 | 8 mm Dowels | Inset         | 200     |
| RCS34100050 | Screw-On    | Full Overlay  | 200     |
| RCS34100950 | Screw-On    | Half Overlay  | 200     |
| RCS34101750 | Screw-On    | Inset         | 200     |



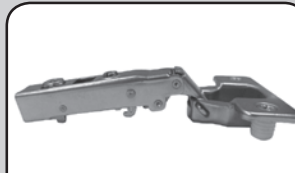
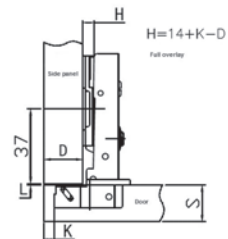
HINGES 105° WITH SOFT-CLOSE  
FULL OVERLAY – 8 MM DOWELS



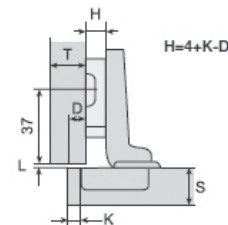
HINGES 105° WITH SOFT-CLOSE  
INSET – SCREW-ON



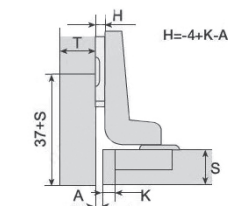
HINGES 105° WITH SOFT-CLOSE  
FULL OVERLAY  
EXPANDING 8 MM DOWELS



HINGES 105°  
WITHOUT SOFT-CLOSE  
FULL OVERLAY – 8 MM DOWELS



HINGES 105°  
WITHOUT SOFT-CLOSE  
HALF OVERLAY – 8 MM DOWELS



HINGES 105° WITH  
AND WITHOUT SOFT-CLOSE

## Richelieu Section 3E

CCRM 2018

- 1 SCREWS AND FASTENERS
- 2 FURNITURE EQUIPMENT
- 3 HINGES
- 4 SLIDES
- 5 CASTERS AND LEGS
- 6 KITCHEN SOLUTIONS
- 7 CLOSET SOLUTIONS
- 8 LIGHTING SOLUTIONS
- 9 SINKS AND FAUCETS
- 10 OFFICE
- 11 SLIDING DOORS SYSTEMS
- 12 GLASS HARDWARE
- 13 PANELS AND SURFACES
- 14 EDGE-BANDING
- 15 CABINET DOORS AND DRAWERS
- 16 MOLDINGS, CORBELS AND WINE CELLARS
- 17 GLUES, SILICONES, CAULK AND INSULATING
- 18 TOOLS AND SECURITY
- 19 FINISHING PRODUCTS AND ABRASIVES
- 20 COMMERCIAL DISPLAY AND HARDWARE
- 21 BUILDERS HARDWARE

# I Hinges I

## RCS Hinges

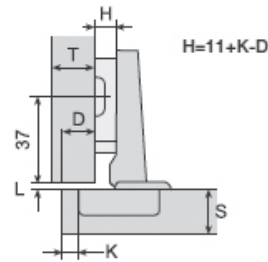
## Richelieu Section 3E

### RCS Concealed 95° Hinges

- Drilling Diameter: 26 mm

#### HINGES 95° WITH SOFT-CLOSE

| PRODUCT     | FIXING TYPE | DOOR POSITION | QTY/BOX |
|-------------|-------------|---------------|---------|
| RCS26950080 | Screw-On    | Full Overlay  | 200     |
| RCS26950980 | Screw-On    | Half Overlay  | 200     |
| RCS26951780 | Screw-On    | Inset         | 200     |



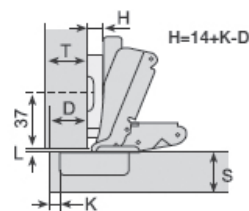
HINGES 95° WITH SOFT-CLOSE

### RCS Concealed 165° Hinges

- Drilling Diameter: 35 mm

#### HINGES 165° WITH SOFT-CLOSE

| PRODUCT     | FIXING TYPE | DOOR POSITION | QTY/BOX |
|-------------|-------------|---------------|---------|
| RCS35650048 | 8 mm Dowels | Full Overlay  | 100     |
| RCS35650040 | Screw-On    | Full Overlay  | 100     |



HINGE 165° WITH AND WITHOUT SOFT-CLOSE - FULL OVERLAY

#### HINGE 165° WITHOUT SOFT-CLOSE

| PRODUCT     | FIXING TYPE | DOOR POSITION | QTY/BOX |
|-------------|-------------|---------------|---------|
| RCS35650058 | 8 mm Dowels | Full Overlay  | 100     |

### Metal Covers

#### METAL HINGE CUP COVER FOR RCS HINGES

| PRODUCT    | QTY/BOX |
|------------|---------|
| RCS2696180 | 200     |

#### METAL HINGE ARM COVER FOR RCS HINGES

| PRODUCT    | QTY/BOX |
|------------|---------|
| RCS2695180 | 200     |



METAL HINGE CUP FOR RCS HINGES



METAL HINGE ARM FOR RCS HINGES

# I Hinges I

## RCS Hinges

### Mounting Plates for RCS Hinges

#### PLATES WITH EURO SCREWS

| PRODUCT  | HEIGHT       | QTY/BOX |
|----------|--------------|---------|
| RCS00200 | 0" (0 mm)    | 400     |
| RCS00220 | 3/32" (2 mm) | 400     |
| RCS00240 | 5/32" (4 mm) | 400     |

#### SCREW-IN PLATES

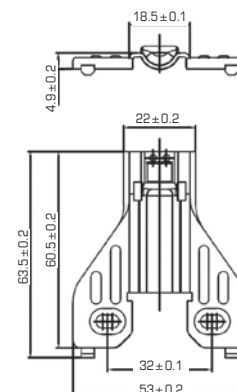
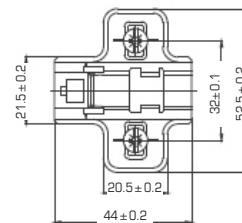
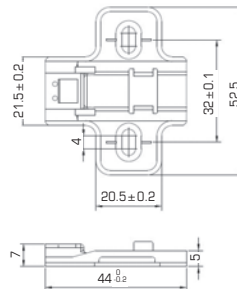
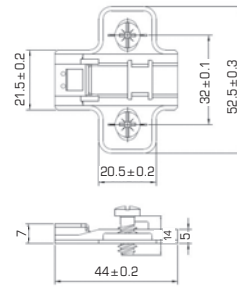
| PRODUCT  | HEIGHT       | QTY/BOX |
|----------|--------------|---------|
| RCS00100 | 0" (0 mm)    | 400     |
| RCS00120 | 3/32" (2 mm) | 400     |
| RCS00140 | 5/32" (4 mm) | 400     |

#### PLATES WITH EXPANDO DOWELS 5 X 9.8 MM

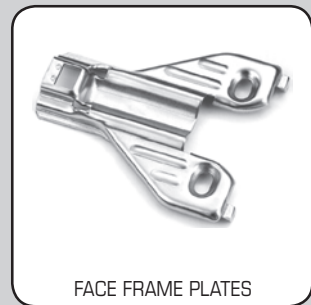
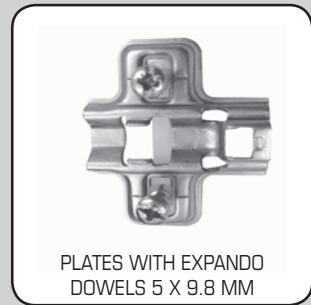
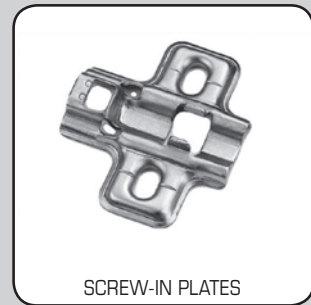
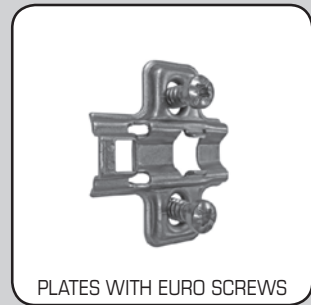
| PRODUCT  | HEIGHT       | QTY/BOX |
|----------|--------------|---------|
| RCS00700 | 0" (0 mm)    | 400     |
| RCS00702 | 3/32" (2 mm) | 400     |
| RCS00704 | 5/32" (4 mm) | 400     |

#### FACE FRAME PLATES

| PRODUCT  | HEIGHT    | QTY/BOX |
|----------|-----------|---------|
| RCS00800 | 0" (0 mm) | 400     |



## Richelieu Section 3E



1  
SCREWS  
AND  
FASTENERS

2  
FURNITURE  
EQUIPMENT

3  
HINGES

4  
SLIDES

5  
CASTERS  
AND LEGS

6  
KITCHEN  
SOLUTIONS

7  
CLOSET  
SOLUTIONS

8  
LIGHTING  
SOLUTIONS

9  
SINKS  
AND  
FAUCETS

10  
OFFICE

11  
SLIDING  
DOORS  
SYSTEMS

12  
GLASS  
HARDWARE

13  
PANELS  
AND  
SURFACES

14  
EDGE-  
BANDING

15  
CABINET  
DOORS  
AND  
DRAWERS

16  
MOLDINGS,  
CORBELS  
AND WINE  
CELLARS

17  
GLUES,  
SILICONES,  
CAULK AND  
INSULATING

18  
TOOLS  
AND  
SECURITY

19  
FINISHING  
PRODUCTS  
AND  
ABRASIVES

20  
COMMERCIAL  
DISPLAY AND  
HARDWARE

21  
BUILDERS  
HARDWARE

CCRM 2018

Page 3E5



# I Hinges I

## RCS Hinges

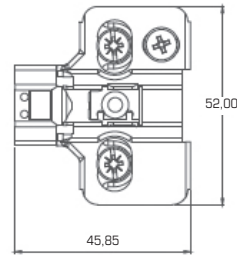
# Richelieu

## Section 3E

### Mounting Plates for RCS Hinges

#### PLATES WITH EURO SCREWS WITH CAM ADJUSTMENT

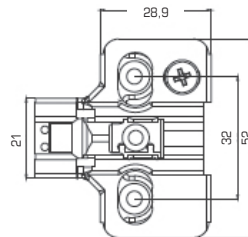
| PRODUCT  | HEIGHT       | QTY/BOX |
|----------|--------------|---------|
| RCS00602 | 0" (0 mm)    | 400     |
| RCS00622 | 3/32" (2 mm) | 400     |
| RCS00642 | 5/32" (4 mm) | 400     |



PLATES WITH EURO SCREWS WITH CAM ADJUSTMENT

#### SCREW-IN PLATES WITH CAM ADJUSTMENT

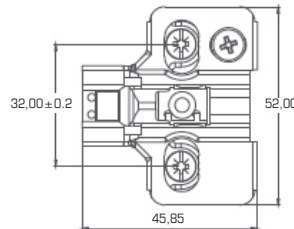
| PRODUCT  | HEIGHT       | QTY/BOX |
|----------|--------------|---------|
| RCS00502 | 0" (0 mm)    | 400     |
| RCS00520 | 3/32" (2 mm) | 400     |
| RCS00540 | 5/32" (4 mm) | 400     |



SCREW-IN PLATES WITH CAM ADJUSTMENT

#### PLATES WITH EXPANDO DOWELS WITH CAM ADJUSTMENT

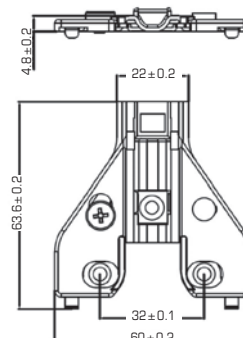
| PRODUCT  | HEIGHT       | QTY/BOX |
|----------|--------------|---------|
| RCS00707 | 0" (0 mm)    | 400     |
| RCS00727 | 3/32" (2 mm) | 400     |
| RCS00747 | 5/32" (4 mm) | 400     |



PLATES WITH EXPANDO DOWELS WITH CAM ADJUSTMENT

#### FACE FRAME PLATES WITH CAM ADJUSTMENT

| PRODUCT  | HEIGHT      | QTY/BOX |
|----------|-------------|---------|
| RCS00902 | 0" (0 mm)   | 400     |
| RCS00960 | 1/4" (6 mm) | 400     |



FACE FRAME PLATES WITH CAM ADJUSTMENT

# I Hinges I

## RCL Hinges

### RCL Concealed "Clip-On" Hinges

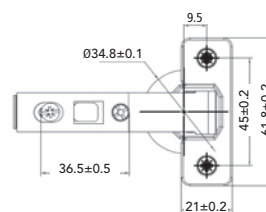
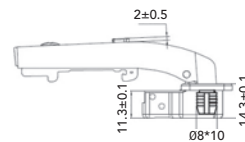
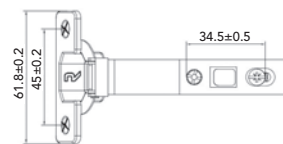
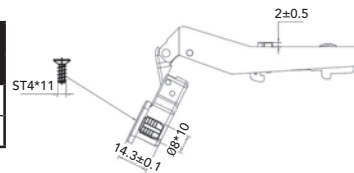
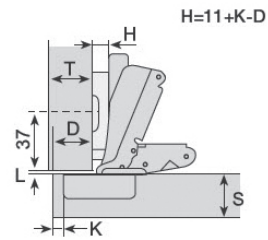
- Drilling Diameter: 35 mm

Sold by unit

| HINGES 165° |             |               |         |
|-------------|-------------|---------------|---------|
| PRODUCT     | FIXING TYPE | DOOR POSITION | QTY/BOX |
| RCL35650058 | 8 mm Dowels | Full Overlay  | 100     |
| RCL35650958 | 8 mm Dowels | Half Overlay  | 100     |
| RCL35651758 | 8 mm Dowels | Inset         | 100     |
| RCL35650050 | Screw-On    | Full Overlay  | 100     |
| RCL35650950 | Screw-On    | Half Overlay  | 100     |
| RCL35651750 | Screw-On    | Inset         | 100     |

| HINGES 45°  |             |               |         |
|-------------|-------------|---------------|---------|
| PRODUCT     | FIXING TYPE | DOOR POSITION | QTY/BOX |
| RCL35450058 | 8 mm Dowels | 45° Angle     | 100     |
| RCL35450050 | Screw-On    | 45° Angle     | 100     |

| BLIND CORNER HINGES |             |               |         |
|---------------------|-------------|---------------|---------|
| PRODUCT             | FIXING TYPE | DOOR POSITION | QTY/BOX |
| RCL35900058         | 8 mm Dowels | Blind Corner  | 100     |
| RCL35900050         | Screw-On    | Blind Corner  | 100     |



## Richelieu Section 3E



1  
SCREWS  
AND  
FASTENERS

2  
FURNITURE  
EQUIPMENT

3  
HINGES

4  
SLIDES

5  
CASTERS  
AND LEGS

6  
KITCHEN  
SOLUTIONS

7  
CLOSET  
SOLUTIONS

8  
LIGHTING  
SOLUTIONS

9  
SINKS  
AND  
FAUCETS

10  
OFFICE

11  
SLIDING  
DOORS  
SYSTEMS

12  
GLASS  
HARDWARE

13  
PANELS  
AND  
SURFACES

14  
EDGE-  
BANDING

15  
CABINET  
DOORS  
AND  
DRAWERS

16  
MOLDINGS,  
CORBELS  
AND WINE  
CELLARS

17  
GLUES,  
SILICONES,  
CAULK AND  
INSULATING

18  
TOOLS  
AND  
SECURITY

19  
FINISHING  
PRODUCTS  
AND  
ABRASIVES

20  
COMMERCIAL  
DISPLAY AND  
HARDWARE

21  
BUILDERS  
HARDWARE

# I Hinges I

## RCL Hinges

# Richelieu

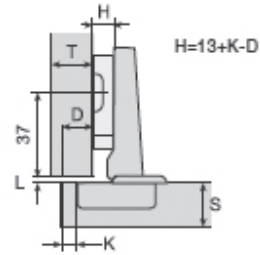
## Section 3E

### RCL Concealed "Clip-On" Hinges 105°

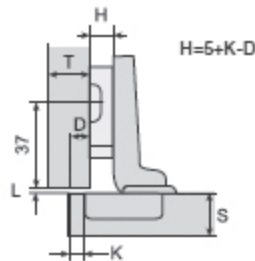
- Drilling Diameter: 35 mm

#### HINGES 105°

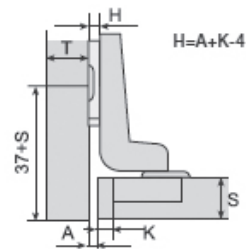
| PRODUCT     | FIXING TYPE | DOOR POSITION | QTY/BOX |
|-------------|-------------|---------------|---------|
| RCL35100058 | 8 mm Dowels | Full Overlay  | 250     |
| RCL35100958 | 8 mm Dowels | Half Overlay  | 250     |
| RCL35101758 | 8 mm Dowels | Inset         | 250     |
| RCL35100050 | Screw-On    | Full Overlay  | 250     |
| RCL35100950 | Screw-On    | Half Overlay  | 250     |
| RCL35101750 | Screw-On    | Inset         | 250     |



HINGES 105° FULL OVERLAY



HINGES 105° HALF OVERLAY

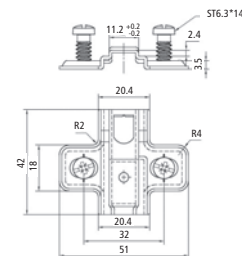


HINGES 105° INSET

### Mounting Plates for RCL Hinges

#### PLATES WITH EURO SCREWS

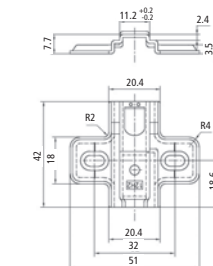
| PRODUCT  | HEIGHT       | QTY/BOX |
|----------|--------------|---------|
| RCL00202 | 0" (0 mm)    | 500     |
| RCL00222 | 3/32" (2 mm) | 500     |
| RCL00242 | 5/32" (4 mm) | 500     |



PLATES WITH EURO SCREWS

#### SCREW-IN PLATES

| PRODUCT  | HEIGHT       | QTY/BOX |
|----------|--------------|---------|
| RCL00100 | 0" (0 mm)    | 500     |
| RCL00120 | 3/32" (2 mm) | 500     |
| RCL00140 | 5/32" (4mm)  | 500     |



SCREW-IN PLATES

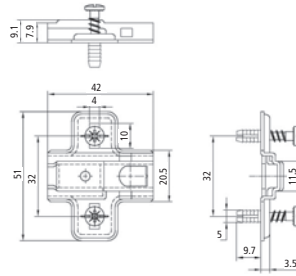
# Hinges I

## RCL Hinges

### Mounting Plates for RCL Hinges

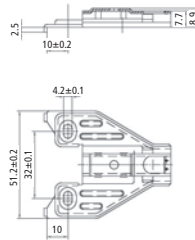
#### PLATES WITH EXPANDO DOWELS 5 X 9.8 MM

| PRODUCT  | HEIGHT       | QTY/BOX |
|----------|--------------|---------|
| RCL00700 | 0" (0 mm)    | 500     |
| RCL00702 | 3/32" (2 mm) | 500     |
| RCL00704 | 5/32" (4mm)  | 500     |



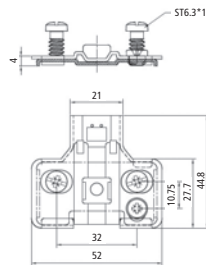
#### FACE FRAME PLATE

| PRODUCT  | HEIGHT       | QTY/BOX |
|----------|--------------|---------|
| RCL00600 | 0" (0 mm)    | 500     |
| RCL00650 | 7/32" (5 mm) | 500     |



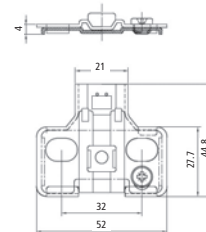
#### PLATES WITH EURO SCREWS WITH CAM ADJUSTMENT

| PRODUCT  | HEIGHT       | QTY/BOX |
|----------|--------------|---------|
| RCL00402 | 0" (0 mm)    | 500     |
| RCL00422 | 3/32" (2 mm) | 500     |

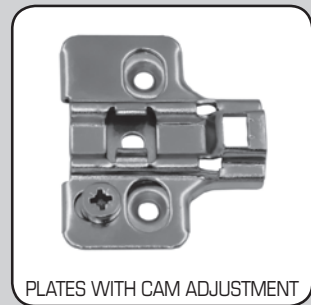
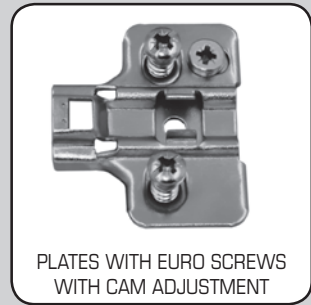
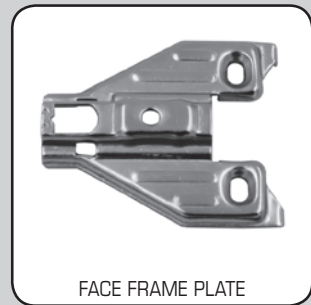
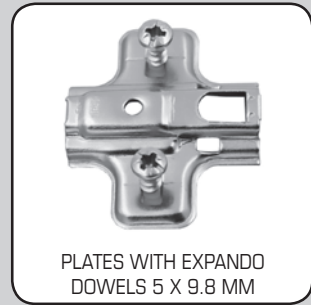


#### PLATES WITH CAM ADJUSTMENT

| PRODUCT  | HEIGHT       | QTY/BOX |
|----------|--------------|---------|
| RCL00300 | 0" (0 mm)    | 500     |
| RCL00320 | 3/32" (2 mm) | 500     |



## Richelieu Section 3E



- 1 SCREWS AND FASTENERS
- 2 FURNITURE EQUIPMENT
- 3 HINGES
- 4 SLIDES
- 5 CASTERS AND LEGS
- 6 KITCHEN SOLUTIONS
- 7 CLOSET SOLUTIONS
- 8 LIGHTING SOLUTIONS
- 9 SINKS AND FAUCETS
- 10 OFFICE
- 11 SLIDING DOORS SYSTEMS
- 12 GLASS HARDWARE
- 13 PANELS AND SURFACES
- 14 EDGE-BANDING
- 15 CABINET DOORS AND DRAWERS
- 16 MOLDINGS, CORBELS AND WINE CELLARS
- 17 GLUES, SILICONES, CAULK AND INSULATING
- 18 TOOLS AND SECURITY
- 19 FINISHING PRODUCTS AND ABRASIVES
- 20 COMMERCIAL DISPLAY AND HARDWARE
- 21 BUILDERS HARDWARE

CCRM 2018



# I Hinges I

## SUGATSUNE Hinges

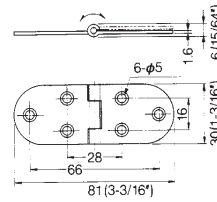


# Richelieu Section 3F

### Tabletop Hinges

**Important information:**

- Panel Size: Maximum Width 450 mm × Height 700 mm × Thickness 21 mm (Width 17-3/4" × Height 27-9/16" × Thickness 53/64")
- Panel Weight: Maximum 4 kg/pair (8.8 lb/pair)



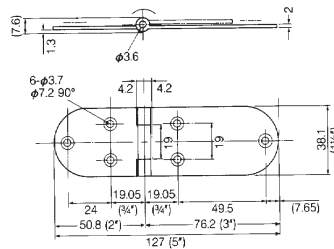
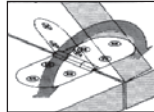
Sold by unit

| PRODUCT  | FINISH | MATERIAL        | WIDTH | DEPTH | HEIGHT | QTY/BOX |
|----------|--------|-----------------|-------|-------|--------|---------|
| 75083170 | Satin  | Stainless Steel | 81 mm | 30 mm | 6 mm   | 100     |

### Tabletop Hinges

**Important information:**

- Panel Size: Maximum Width 450 mm × Height 700 mm × Thickness 21 mm (Width 17-3/4" × Height 27-9/16" × Thickness 53/64")
- Panel Weight: Maximum 4 kg/pair (8.8 lb/pair)

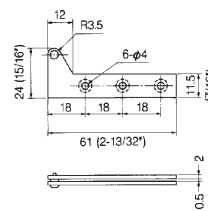
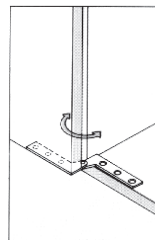


Sold by unit

| PRODUCT  | FINISH | MATERIAL        | WIDTH  | DEPTH | QTY/BOX |
|----------|--------|-----------------|--------|-------|---------|
| 75127171 | Mirror | Stainless Steel | 127 mm | 38 mm | 20      |

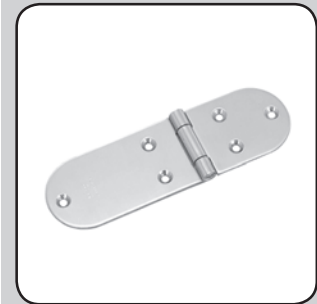
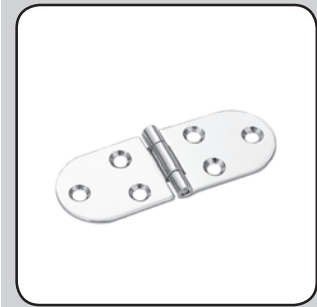
### Pivot Hinge for 7/8" Door

- Fixing Type: Screw-On



Sold by unit

| PRODUCT    | FINISH          | POSITION    | LENGTH | WIDTH | QTY/BOX |
|------------|-----------------|-------------|--------|-------|---------|
| 7507802170 | Stainless Steel | Hinge Right | 61 mm  | 24 mm | 100     |
| 7507803170 | Stainless Steel | Hinge Left  | 61 mm  | 24 mm | 100     |



- 1 SCREWS AND FASTENERS
- 2 FURNITURE EQUIPMENT
- 3 HINGES
- 4 SLIDES
- 5 CASTERS AND LEGS
- 6 KITCHEN SOLUTIONS
- 7 CLOSET SOLUTIONS
- 8 LIGHTING SOLUTIONS
- 9 SINKS AND FAUCETS
- 10 OFFICE
- 11 SLIDING DOORS SYSTEMS
- 12 GLASS HARDWARE
- 13 PANELS AND SURFACES
- 14 EDGE-BANDING
- 15 CABINET DOORS AND DRAWERS
- 16 MOLDINGS, CORBELS AND WINE CELLARS
- 17 GLUES, SILICONES, CAULK AND INSULATING
- 18 TOOLS AND SECURITY
- 19 FINISHING PRODUCTS AND ABRASIVES
- 20 COMMERCIAL DISPLAY AND HARDWARE
- 21 BUILDERS HARDWARE

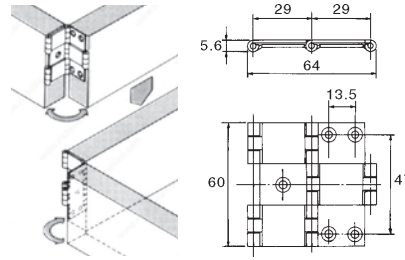
CCRM 2018

I Hinges I  
**SUGATSUNE Hinges**



**Richelieu  
 Section 3F**

**Double Action Hinge**



Sold by unit

| PRODUCT  | FINISH | MATERIAL        | WIDTH | DEPTH  | HEIGHT | QTY/BOX |
|----------|--------|-----------------|-------|--------|--------|---------|
| 75060170 | Satin  | Stainless Steel | 64 mm | 5.5 mm | 60 mm  | 20      |



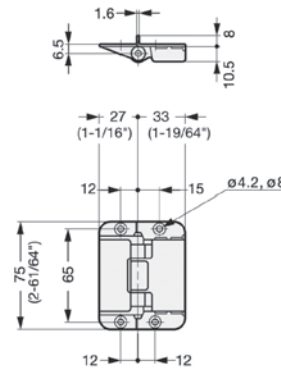
**Center Hinge for Folding Doors**

180° opening. Snaps in at open and closed position, ideal for folding doors. Screws not included.

- Height: 2-15/16" (75 mm)

Sold by unit

| PRODUCT | FINISH | CLOSING MECHANISM | FIXING TYPE | QTY/BOX |
|---------|--------|-------------------|-------------|---------|
| CH75NI  | Nickel | Snap in           | Screw-On    | 42      |
| CH75GB  | Bronze | Snap in           | Screw-On    | 42      |





# Hinges I

## SUGATSUNE Hinges



# Richelieu Section 3F

### Heavy Duty Concealed Hinge

- Clip on type for easy installation
- 3-way adjustment with door installed
- Glass thickness: 8 to 10 mm
- Maximum door width: 31-1/2" (800 mm)/2 pieces
- Load capacity: 55 lb (25 kg) with 2 hinges, 77 lb (35 kg) with 3 hinges
- Requires 6 M5 or equivalent (US#10) screws, 2 pieces for each hinge and 4 pieces for each mounting plate
- Material: Steel
- Hinge opening angle: +93°

Sold by unit

| PRODUCT    | FINISH | OVERLAY | FIXING TYPE | QTY/BOX |
|------------|--------|---------|-------------|---------|
| 7530900180 | Nickel | 25 mm   | Screw-On    | 10      |

#### Required Product(s):

7538900180 – Mounting Plate, 758916140 – Decorative Cover Cap

### Mounting Plate

- Vertical adjustment: +/- 1/8" (+/- 3 mm)
- Overlay adjustment: +/- 5/32" (+ 0/-4 mm)
- Depth adjustment: + +/- 5/32" (1.5/-2.5 mm)

Sold by unit

| PRODUCT    | FINISH | FIXING TYPE | QTY/BOX |
|------------|--------|-------------|---------|
| 7538900180 | Nickel | Screw-on    | 10      |

#### Required Product(s):

7530900180 – Heavy Duty Concealed Hinge

### Safety Cover

- Material: ABS

Sold by unit

| PRODUCT    | FINISH | FIXING TYPE | QTY/BOX |
|------------|--------|-------------|---------|
| 7538900100 | Gray   | Screw-on    | 100     |

### Decorative Cover Cap

- Material: Zinc Alloy Casting

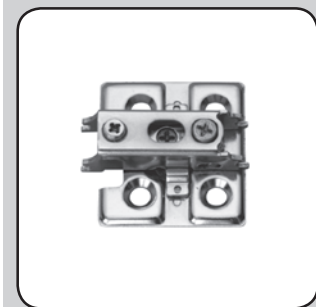
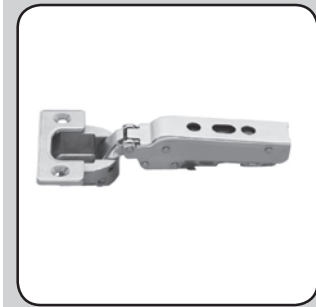
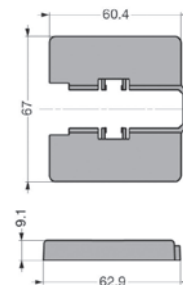
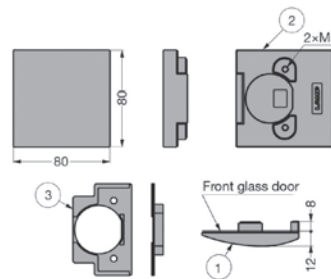
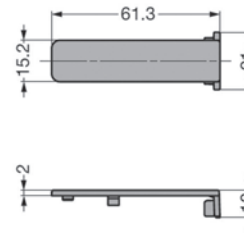
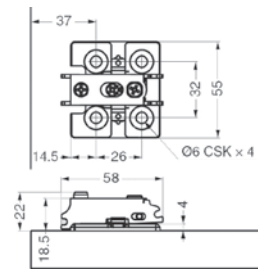
| PRODUCT    | FINISH | HEIGHT          | WIDTH           | QTY/BOX |
|------------|--------|-----------------|-----------------|---------|
| 7538916140 | Chrome | 3-5/32" (80 mm) | 3-5/32" (80 mm) | 1       |

### Mounting Plate Cover

- Material: ABS

Sold by unit

| PRODUCT    | FINISH | QTY/BOX |
|------------|--------|---------|
| 7538902100 | Gray   | 100     |



- SCREWS AND FASTENERS
- FURNITURE EQUIPMENT
- HINGES
- SLIDES
- CASTERS AND LEGS
- KITCHEN SOLUTIONS
- CLOSET SOLUTIONS
- LIGHTING SOLUTIONS
- SINKS AND FAUCETS
- OFFICE
- SLIDING DOORS SYSTEMS
- GLASS HARDWARE
- PANELS AND SURFACES
- EDGE-BANDING
- CABINET DOORS AND DRAWERS
- MOLDINGS, CORBELS AND WINE CELLARS
- GLUES, SILICONES, CAULK AND INSULATING
- TOOLS AND SECURITY
- FINISHING PRODUCTS AND ABRASIVES
- COMMERCIAL DISPLAY AND HARDWARE
- BUILDERS HARDWARE

CCRM 2018



# Hinges

## Traditional Hinges

### Butt Hinges

- Screws included

| PRODUCT   | FINISH          | QTY/BOX   |
|-----------|-----------------|-----------|
| 2050M41*  | Antique Copper  | 200 pairs |
| BP2050AE  | Antique English | 10 pairs  |
| BP2050M41 | Antique Copper  | 10 pairs  |
| BP2050130 | Brass           | 10 pairs  |
| BP2050185 | Satin Nickel    | 10 pairs  |
| BP2050900 | Matte Black     | 10 pairs  |

- \* Available also in BP (by the pair, screws included)
- 8 x no 5. flat head screws
- \* Screws not included

### Butt Hinges

- Screws included

| PRODUCT   | FINISH          | QTY/BOX   |
|-----------|-----------------|-----------|
| 2064M41*  | Antique Copper  | 100 pairs |
| BP2064AE  | Antique English | 10 pairs  |
| BP2064M41 | Antique Copper  | 10 pairs  |
| BP2064130 | Brass           | 10 pairs  |
| BP2064900 | Matte Black     | 10 pairs  |

- \* Available also in BP (by the pair, screws included)
- 8 x no 5. flat head screws
- \* Screws not included

### Butt Hinge

Sold by unit

| PRODUCT  | FINISH | QTY/BOX  |
|----------|--------|----------|
| 12038130 | Brass  | 200/2000 |

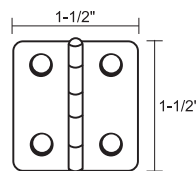
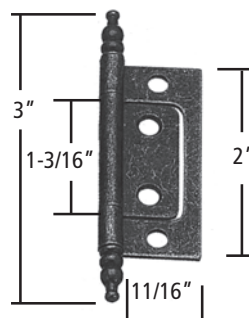
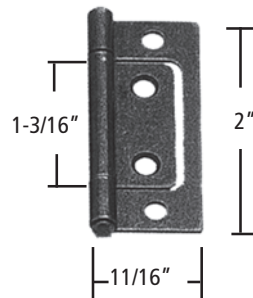
Recommended screws: 4 x no 5. flat head screws

### Friction Butt Hinge

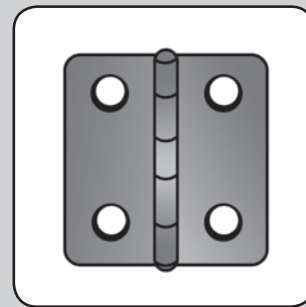
- Ideal for side mirrors

Sold by pair

| PRODUCT | FINISH       | SIZE   | QTY/BOX |
|---------|--------------|--------|---------|
| 219130  | Brass Plated | 1-1/2" | 500     |



## Richelieu Section 3G



|    |  |
|----|--|
| 1  | SCREWS AND FASTENERS                   |
| 2  | FURNITURE EQUIPMENT                    |
| 3  | HINGES                                 |
| 4  | SLIDES                                 |
| 5  | CASTERS AND LEGS                       |
| 6  | KITCHEN SOLUTIONS                      |
| 7  | CLOSET SOLUTIONS                       |
| 8  | LIGHTING SOLUTIONS                     |
| 9  | SINKS AND FAUCETS                      |
| 10 | OFFICE                                 |
| 11 | SLIDING DOORS SYSTEMS                  |
| 12 | GLASS HARDWARE                         |
| 13 | PANELS AND SURFACES                    |
| 14 | EDGE-BANDING                           |
| 15 | CABINET DOORS AND DRAWERS              |
| 16 | MOLDINGS, CORBELS AND WINE CELLARS     |
| 17 | GLUES, SILICONES, CAULK AND INSULATING |
| 18 | TOOLS AND SECURITY                     |
| 19 | FINISHING PRODUCTS AND ABRASIVES       |
| 20 | COMMERCIAL DISPLAY AND HARDWARE        |
| 21 | BUILDERS HARDWARE                      |

CCRM 2018

# I Hinges I

## Traditional Hinges

## Richelieu Section 3G

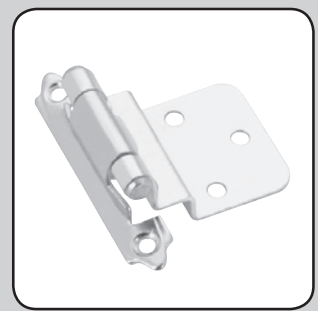
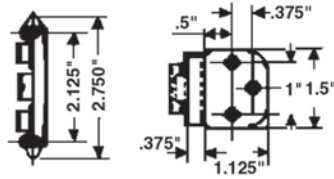
### Self-Closing 3/8 Offset Hinges

- Screws included

Sold by pair

| PRODUCT  | FINISH          | QTY/BOX  |
|----------|-----------------|----------|
| BP138MAE | Antique English | 10 pairs |
| BP13826  | Chrome          | 10 pairs |
| BP13830  | White           | 10 pairs |
| BP13890  | Black           | 10 pairs |
| BP138130 | Brass           | 10 pairs |
| BP138195 | Brushed Nickel  | 10 pairs |
| BP138M41 | Copper          | 10 pairs |

- 6 x no 5. flat head screws
- 4 x no 5. oval head screws
- For 3/8" rabbited door

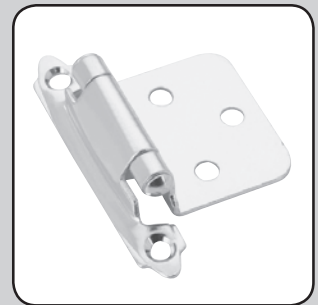
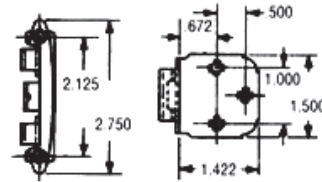


### Self-Closing Hinges

- Screws included

| PRODUCT  | FINISH          | QTY/BOX   |
|----------|-----------------|-----------|
| 134MAE** | Antique English | 100 pairs |
| BP134M41 | Copper          | 10 pairs  |
| BP13440  | Almond          | 10 pairs  |
| BP13490  | Black           | 10 pairs  |
| BP134175 | Brushed Chrome  | 10 pairs  |
| BP134242 | Brushed Pewter  | 10 pairs  |
| BP134907 | Forged Iron     | 10 pairs  |

- \* Available also in BP (by the pair, screws included)
- Available also in AP (by 10 pairs, screws included)

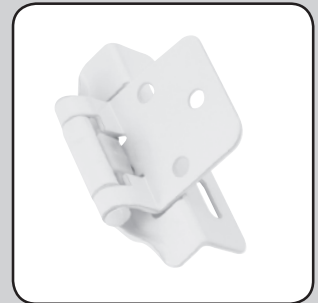


### Self-Closing Hinge

- Screws included
- 6 x no 5. flat head screws
- 4 x no 5. oval head screws

Sold by pair

| PRODUCT  | FINISH | A      | QTY/BOX   |
|----------|--------|--------|-----------|
| BP744830 | White  | 13/64" | 100 pairs |



### 1/4" Self-Closing Hinges

- Screws included
- 6 x no 5. flat head screws
- 4 x no 5. oval head screws

Sold by pair

| PRODUCT   | FINISH        | QTY/BOX   |
|-----------|---------------|-----------|
| 2051MAE   | Antique Brass | 150 pairs |
| BP2051MAE | Antique Brass | 10 pairs  |



CCRM 2018

# Hinges | Traditional Hinges

## Self Closing Hinges

- Screws included

Sold by pair

| PRODUCT    | FINISH        | QTY/BOX   |
|------------|---------------|-----------|
| 87629MAE   | Antique Brass | 500 pairs |
| BP87629MAE | Antique Brass | 10 pairs  |

## Hinges (for 3/4" Doors)

- Screws included
- 10 x no 5. flat head screws

Sold by pair

| PRODUCT   | FINISH        | QTY/BOX   |
|-----------|---------------|-----------|
| BP5988MAE | Antique Brass | 100 pairs |
| BP5988140 | Chrome        | 100 pairs |

## Self-Closing Hinges

- Screws included

Sold by pair

| PRODUCT  | FINISH         | A    | QTY/BOX  |
|----------|----------------|------|----------|
| BP139130 | Brass          | 1/2" | 10 pairs |
| BP139M41 | Antique Copper | 1/2" | 10 pairs |
| BP13990  | Black          | 1/2" | 10 pairs |
| BP139195 | Nickel         | 1/2" | 10 pairs |

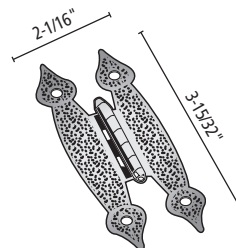
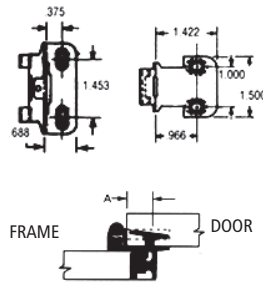
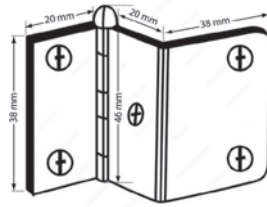
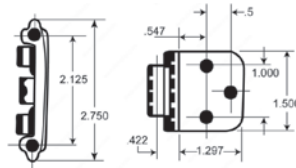
## Metal Country Hinges

- Center to center: 19/32"
- Screws included

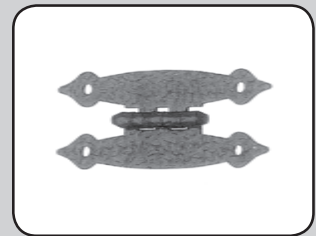
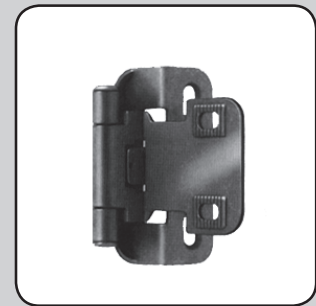
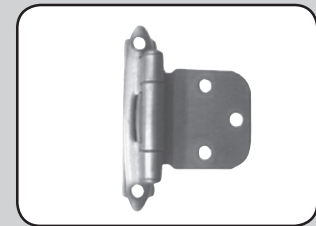
Sold by pair

| PRODUCT   | FINISH         | QTY/BOX   |
|-----------|----------------|-----------|
| BP2053M41 | Antique Copper | 100 pairs |
| BP205390  | Black          | 100 pairs |

For Door Hinges, see section 21H.



# Richelieu Section 3G



1  
SCREWS  
AND  
FASTENERS

2  
FURNITURE  
EQUIPMENT

3  
HINGES

4  
SLIDES

5  
CASTERS  
AND LEGS

6  
KITCHEN  
SOLUTIONS

7  
CLOSET  
SOLUTIONS

8  
LIGHTING  
SOLUTIONS

9  
SINKS  
AND  
FAUCETS

10  
OFFICE

11  
SLIDING  
DOORS  
SYSTEMS

12  
GLASS  
HARDWARE

13  
PANELS  
AND  
SURFACES

14  
EDGE-  
BANDING

15  
CABINET  
DOORS  
AND  
DRAWERS

16  
MOLDINGS,  
CORBELS  
AND WINE  
CELLARS

17  
GLUES,  
SILICONES,  
CAULK AND  
INSULATING

18  
TOOLS  
AND  
SECURITY

19  
FINISHING  
PRODUCTS  
AND  
ABRASIVES

20  
COMMERCIAL  
DISPLAY AND  
HARDWARE

21  
BUILDERS  
HARDWARE

CCRM 2018

Page 3G3



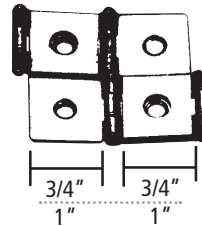
# I Hinges I

## Specialty Hinges

### Folding Screen Hinges

Sold by unit

| PRODUCT  | FINISH | DIMENSION | QTY/BOX |
|----------|--------|-----------|---------|
| 20861130 | Brass  | 3/4"      | 100     |
| 20862130 | Brass  | 1"        | 100     |

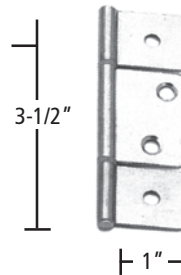


### Three Leaf Hinge

- Ideal for partition screens and shutters
- Easy to install

Sold by unit

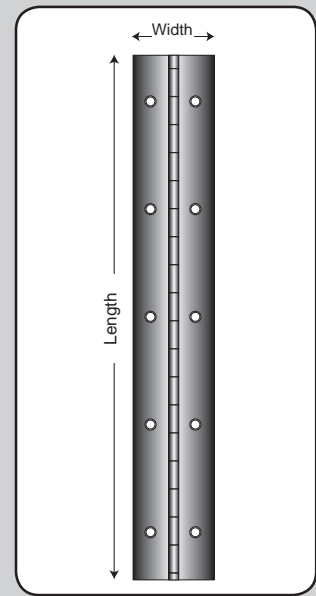
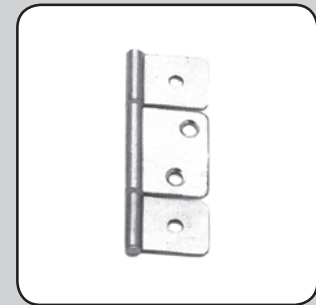
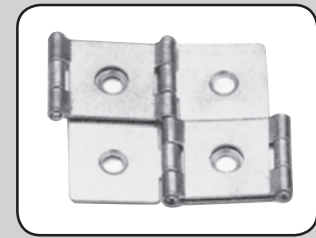
| PRODUCT | FINISH | DIMENSION | QTY/BOX |
|---------|--------|-----------|---------|
| 2025130 | Brass  | 3-1/2"    | 100     |



### Steel Piano Hinges

| PRODUCT   | FINISH          | WIDTH  | LENGTH     | THICKNESS | HOLES | SCREWS | QTY/BOX |
|-----------|-----------------|--------|------------|-----------|-------|--------|---------|
| 281740130 | Brass           | 1-1/8" | 6-7/8"     | .7 mm     | Yes   | #5     | 100     |
| 281740180 | Nickel          | 1-1/8" | 6-7/8"     | .7 mm     | Yes   | #5     | 100     |
| 321740130 | Brass           | 1-1/4" | 6-7/8"     | .7 mm     | Yes   | #5     | 100     |
| 321740180 | Nickel          | 1-1/4" | 6-7/8"     | .7 mm     | Yes   | #5     | 100     |
| 3225130   | Brass           | 1-1/4" | 82' (25 m) | .7 mm     | Yes   | #5     | 6       |
| 3225180   | Nickel          | 1-1/4" | 82' (25 m) | .7 mm     | Yes   | #5     | 6       |
| 322714130 | Brass           | 1-1/4" | 27-1/4"    | .7 mm     | Yes   | #5     | 50      |
| 322714180 | Nickel          | 1-1/4" | 27-1/4"    | .7 mm     | Yes   | #5     | 50      |
| 322978130 | Brass           | 1-1/4" | 29-3/8"    | .7 mm     | Yes   | #5     | 50      |
| 322978180 | Nickel          | 1-1/4" | 29-3/8"    | .7 mm     | Yes   | #5     | 50      |
| 401740130 | Brass           | 1-5/8" | 6-7/8"     | .8 mm     | Yes   | #5     | 100     |
| 401740180 | Nickel          | 1-5/8" | 6-7/8"     | .8 mm     | Yes   | #5     | 100     |
| 4025130   | Brass           | 1-5/8" | 82' (25 m) | .8 mm     | Yes   | #5     | 5       |
| 4025180   | Nickel          | 1-5/8" | 82' (25 m) | .8 mm     | Yes   | #5     | 5       |
| 501740180 | Nickel          | 2"     | 6-7/8"     | 1.25 mm   | Yes   | #6     | 50      |
| 3217212   | Steel           | 1-1/4" | 72"        | .030"     | No    | -      | 50      |
| 321740180 | Nickel          | 1-1/4" | 72"        | .040"     | Yes   | #5     | 100     |
| 321740130 | Brass           | 1-1/4" | 72"        | .040"     | Yes   | #5     | 100     |
| 4017212   | Steel           | 1-1/2" | 72"        | .030"     | No    | -      | 50      |
| 5017212   | Steel           | 2"     | 72"        | .040"     | No    | -      | 25      |
| 28NP      | Nickel          | 2"     | 96"        | .040"     | Yes   | #6     | 25      |
| 76072180  | Nickel          | 3"     | 72"        | .060"     | Yes   | #6     | 15      |
| 7617212   | Steel           | 3"     | 72"        | .060"     | No    | -      | 15      |
| 32072170  | Stainless Steel | 1-1/4" | 72"        | .037"     | Yes   | #6     | 50      |
| 40072170  | Stainless Steel | 1-1/2" | 72"        | .037"     | Yes   | #6     | 50      |
| 50072170  | Stainless Steel | 2"     | 72"        | .037"     | Yes   | #6     | 25      |
| 76172170  | Stainless Steel | 3"     | 72"        | .060"     | No    | -      | 20      |

## Richelieu Section 3H



#### EQUIVALENCIES

|         |   |       |
|---------|---|-------|
| 1-1/16" | = | 28 mm |
| 1-1/4"  | = | 32 mm |
| 1-1/2"  | = | 40 mm |
| 2"      | = | 50 mm |

1  
SCREWS  
AND  
FASTENERS

2  
FURNITURE  
EQUIPMENT

3  
HINGES

4  
SLIDES

5  
CASTERS  
AND LEGS

6  
KITCHEN  
SOLUTIONS

7  
CLOSET  
SOLUTIONS

8  
LIGHTING  
SOLUTIONS

9  
SINKS  
AND  
FAUCETS

10  
OFFICE

11  
SLIDING  
DOORS  
SYSTEMS

12  
GLASS  
HARDWARE

13  
PANELS  
AND  
SURFACES

14  
EDGE-  
BANDING

15  
CABINET  
DOORS  
AND  
DRAWERS

16  
MOLDINGS,  
CORBELS  
AND WINE  
CELLARS

17  
GLUES,  
SILICONES,  
CAULK AND  
INSULATING

18  
TOOLS  
AND  
SECURITY

19  
FINISHING  
PRODUCTS  
AND  
ABRASIVES

20  
COMMERCIAL  
DISPLAY AND  
HARDWARE

21  
BUILDERS  
HARDWARE



# I Hinges I

## Specialty Hinges

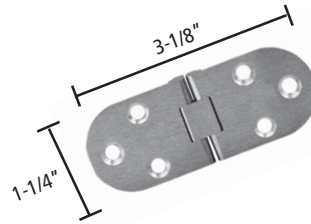
## Richelieu Section 3H

### Hinge

- Ideal for sewing machine

Sold by unit

| PRODUCT | FINISH | QTY/BOX |
|---------|--------|---------|
| 1106130 | Brass  | 24      |

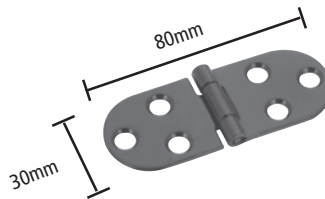


### Hinge

- Ideal for sewing machine

Sold by unit

| PRODUCT | FINISH | QTY/BOX |
|---------|--------|---------|
| 205990* | Black  | 100/600 |

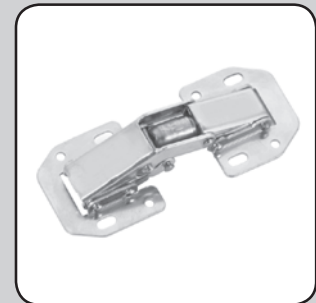
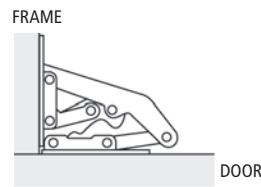


- \* Available also in BP = By the pair, screws included
- 6 x no 8. flat head screws

### Self-Closing Hinge

- For full overlay, half overlay and inset applications
- With 5/8 x 8 screws

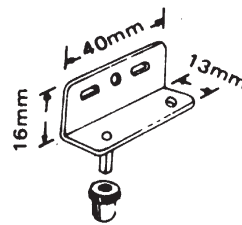
| PRODUCT | FINISH | QTY/BOX |
|---------|--------|---------|
| UC1062G | Zinc   | 25      |



### Wooden Door Pivot Hinges

Sold by pair

| PRODUCT  | FINISH | QTY/BOX |
|----------|--------|---------|
| 2164140* | Chrome | 1000    |
| 2164190  | Black  | 100     |



- \* Available also in BP = By the pair, screws included

CCRM 2018

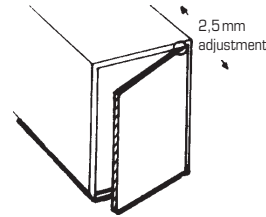
# I Hinges I Specialty Hinges

## Pivot System

Sold by kit

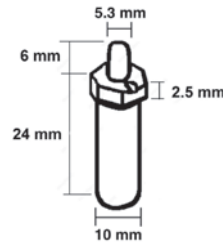
| PRODUCT  | FINISH | QTY/BOX |
|----------|--------|---------|
| BP213760 | Brown  | 10      |

Includes: 2137A60, 2137B60, 2137C60, 2137T12

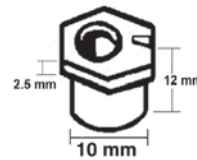


## Receptacle and Pivot System

| PRODUCT | FINISH | DESCRIPTION   | QTY/BOX |
|---------|--------|---------------|---------|
| 2137A60 | Brown  | Plastic Pivot | 1000    |



| PRODUCT | FINISH | DESCRIPTION        | QTY/BOX |
|---------|--------|--------------------|---------|
| 2137B60 | Brown  | Plastic Receptacle | 3000    |

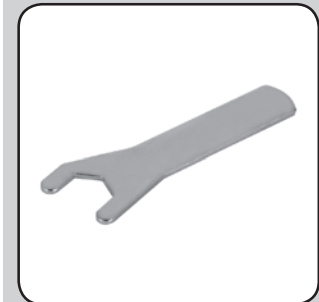
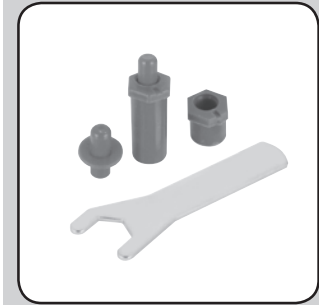


| PRODUCT | FINISH | DESCRIPTION   | QTY/BOX |
|---------|--------|---------------|---------|
| 2137C60 | Brown  | Plastic Pivot | 5000    |



| PRODUCT | FINISH | DESCRIPTION                               | QTY/BOX |
|---------|--------|---|---------|
| 2137T12 | Metal  | Metal Key for 2137(A-B-C)-60 Pivot System | 3000    |

## Richelieu Section 3H



1  
SCREWS  
AND  
FASTENERS

2  
FURNITURE  
EQUIPMENT

3  
HINGES

4  
SLIDES

5  
CASTERS  
AND LEGS

6  
KITCHEN  
SOLUTIONS

7  
CLOSET  
SOLUTIONS

8  
LIGHTING  
SOLUTIONS

9  
SINKS  
AND  
FAUCETS

10  
OFFICE

11  
SLIDING  
DOORS  
SYSTEMS

12  
GLASS  
HARDWARE

13  
PANELS  
AND  
SURFACES

14  
EDGE-  
BANDING

15  
CABINET  
DOORS  
AND  
DRAWERS

16  
MOLDINGS,  
CORBELS  
AND WINE  
CELLARS

17  
GLUES,  
SILICONES,  
CAULK AND  
INSULATING

18  
TOOLS  
AND  
SECURITY

19  
FINISHING  
PRODUCTS  
AND  
ABRASIVES

20  
COMMERCIAL  
DISPLAY AND  
HARDWARE

21  
BUILDERS  
HARDWARE

CCRM 2018

Page 3H3

# Choosing the Right Hinge and the Right Number of Hinges

**SOSS** *Invisible Hinge*

The nomograph below has been developed to assist you in determining the correct size and number of hinges for your installation.

If the information you need is not on the chart, consult the factory.

The general rule used to determine the number of hinges is:

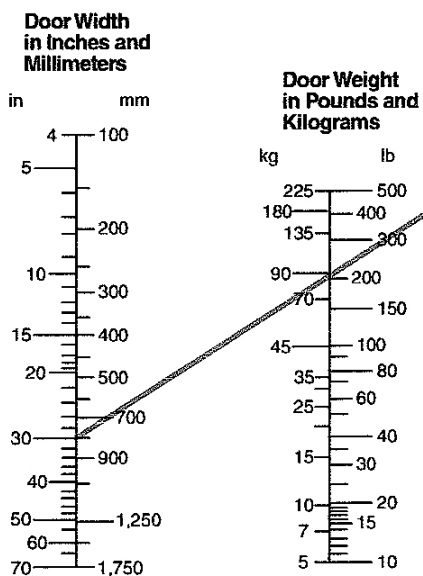
**Every door should be provided with at least one hinge for every 30 inches in height or portion thereof; however, more hinges may be required per chart below.**

For example, a 90° door needs three hinges and a 91° door needs four.

**DIRECTIONS**

After determining the weight and width of the door, draw a straight line through the door width and weight to line "A", as indicated in the example. Continue with a horizontal line sideways from the point of intersection with line "A" until the door thickness is reached. Use the number of hinges and the model number indicated on this line.

To use this chart as a working guide, we suggest that you photocopy this page.



**NOTE:** For Fire-Rated Hinges, use formulas described on page 38.

**EXAMPLE**

A wood door 30" wide, 200 lbs., with a thickness of 1 3/4" will require four #218 SOSS Invisible Hinges. The red line shows how the sizing and selection were determined from the nomograph.

The nomograph above has been developed to assist you in determining the correct size and number of hinges for your installation.

| Hinge Number              | 114     | 314 | 205 | 106          | 100 | 101     | 303 | 103     | 203 | 204     | 208 | 212     | 216     | 218     | 220     |         |
|---------------------------|---------|-----|-----|--------------|-----|---------|-----|---------|-----|---------|-----|---------|---------|---------|---------|---------|
| Door Material             | METAL   |     |     | WOOD & METAL |     |         |     |         |     |         |     |         |         |         |         |         |
| Minimum Door Thickness    | 9/16    |     |     | 5/8          |     | 1/2     |     | 1 1/16  |     | 3/4     |     | 1       | 1 1/8   | 1 3/8   | 1 3/4   | 2       |
| Minimum Door Thickness    | 14.29mm |     |     | 15.88mm      |     | 12.70mm |     | 17.46mm |     | 19.05mm |     | 25.40mm | 28.56mm | 34.93mm | 44.45mm | 50.80mm |
| Line A                    |         |     |     |              |     |         |     |         |     |         |     |         |         |         |         |         |
| Number of Hinges Required |         |     |     |              |     |         |     |         |     |         |     |         |         |         |         |         |
| Line A                    |         |     |     |              |     |         |     |         |     |         |     |         |         |         |         |         |
| Hinge Number              | 114     | 314 | 205 | 106          | 100 | 101     | 303 | 103     | 203 | 204     | 208 | 212     | 216     | 218     | 220     |         |

# I Hinges I

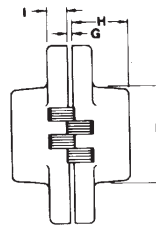
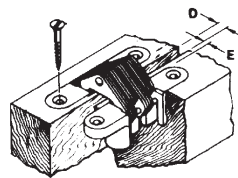
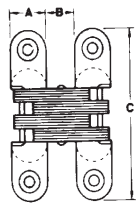
## Specialty Hinges

### « Soss » Invisible Hinges

- SOSS invisibles are used extensively in custom furniture, custom casework, cabinetry and the display industry where a smooth, flush look is of paramount importance
- All SOSS Invisible Hinges open 180° or less
- Ideally suited for mirrored or appliqued doors and panels, pass doors, electronic cabinets, computer and communication room doors for security, pharmaceutical storage areas, courtrooms, churches and wall units
- Available in satin chrome or satin brass finishes

Sold by pair

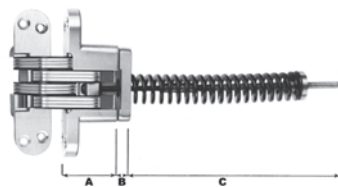
| PRODUCT (BRASS) | PRODUCT (CHROME) | MODEL # | A    | B      | C        | D     | E     | F      | G     | H      | I      | MIN. DOOR THICK. | SCREW SIZE  | QTY/BOX  |
|-----------------|------------------|---------|------|--------|----------|-------|-------|--------|-------|--------|--------|------------------|-------------|----------|
| 420100160       | 420100145        | 100     | 3/8" | 9/32"  | 1"       | 3/32" | 3/32" | 3/8"   | 1/32" | 15/32" | 15/64" | 1/2"             | #5 x 3/4"   | 10 pairs |
| 420101160       | 420101145        | 101     | 3/8" | 19/64" | 1-11/16" | 7/64" | 3/32" | 7/8"   | 1/32" | 29/64" | 7/32"  | 1/2"             | #5 x 3/4"   | 10 pairs |
| 420103160       | 420103145        | 103     | 1/2" | 3/8"   | 1-1/2"   | 1/8"  | 1/8"  | 11/16" | 1/32" | 19/32" | 7/32"  | 3/4"             | #6 x 1"     | 10 pairs |
| 420203160       | 420203145        | 203     | 1/2" | 23/64" | 1-3/4"   | 7/64" | 1/8"  | 3/4"   | 1/32" | 23/32" | 3/16"  | 3/4"             | #6 x 1"     | 10 pairs |
| 420204160       | 420204145        | 204     | 1/2" | 23/64" | 2-3/8"   | 7/64" | 1/8"  | 1-1/4" | 1/32" | 23/32" | 1/4"   | 3/4"             | #7 x 1-1/4" | 10 pairs |
| 420303160       | 420303145        | 303     | 1/2" | 3/8"   | 1-1/2"   | 1/8"  | 1/8"  | 19/32" | 1/32" | 5/8"   | .054"  | 11/16"           | #5 x 3/4"   | 10 pairs |



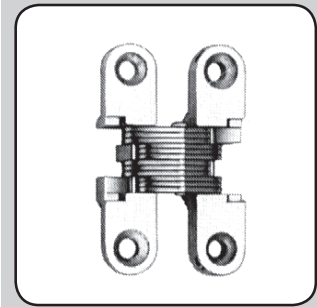
### « Soss » Invisible « Closer » Spring Hinges

- The SOSS Invisible Closer functions as an invisible spring hinge. This gives you a closer that is totally invisible from either side when the door is closed. When the door is open, you see only the hinge face and links
- The closure rate is completely adjustable with an allen wrench after installation, and does not require removal of the closer
- SOSS Invisible Closers are available in sizes 216, 218 and 220, in the following finishes: Satin Brass (US4); Satin Chrome (US26D)
- Allow one closer for each 75 pounds of door weight
- Placement of the spring assembly can be inside either the door itself or the door jamb
- In retrofit applications changing from a regular SOSS Invisible Hinge to a SOSS Invisible Closer, the mortise depth must be increased by 3/8", with a hole drilled to allow for insertion of the spring
- The SOSS Invisible Closer is ideally suited for all types of doors 1-3/8" thick or more. Recommended spacing is one-half of the distance from the center of the door to the center of the top hinge

| PRODUCT (BRASS) | PRODUCT (CHROME) | MODEL # | A        | B    | C       | QTY/BOX |
|-----------------|------------------|---------|----------|------|---------|---------|
| 421216160       | 421216145        | 216 iC  | 1-7/16"  | 3/8" | 6-5/16" | 1       |
| 421218160       | 421281145        | 218 iC  | 1-21/32" | 3/8" | 7"      | 1       |
| 421220160       | 421220145        | 220 iC  | 2"       | 3/8" | 6-7/8"  | 1       |



## Richelieu Section 3H



1  
SCREWS  
AND  
FASTENERS

2  
FURNITURE  
EQUIPMENT

3  
HINGES

4  
SLIDES

5  
CASTERS  
AND LEGS

6  
KITCHEN  
SOLUTIONS

7  
CLOSET  
SOLUTIONS

8  
LIGHTING  
SOLUTIONS

9  
SINKS  
AND  
FAUCETS

10  
OFFICE

11  
SLIDING  
DOORS  
SYSTEMS

12  
GLASS  
HARDWARE

13  
PANELS  
AND  
SURFACES

14  
EDGE-  
BANDING

15  
CABINET  
DOORS  
AND  
DRAWERS

16  
MOLDINGS,  
CORBELS  
AND WINE  
CELLARS

17  
GLUES,  
SILICONES,  
CAULK AND  
INSULATING

18  
TOOLS  
AND  
SECURITY

19  
FINISHING  
PRODUCTS  
AND  
ABRASIVES

20  
COMMERCIAL  
DISPLAY AND  
HARDWARE

21  
BUILDERS  
HARDWARE

# I Hinges I

## Specialty Hinges

# Richelieu

## Section 3H

### «Soss» Hinge Templates

- Router guide installation templates are available for sizes 101, 103, 203, 204, 208, 212, 216, 218, 220 and 418
- A perfect routed outline is foolproof when using the template (the only critical dimension is the depth of the shallow mortise), so you can expect a perfect installation every time
- Each router guide template is individually handcrafted for exactness
- The template is held on the door and jamb with nails; guide pins locate the deep mortise
- The edges of the template assure a perfect outline when used with the Porter-Cable Template Guide #42024 (Lock Face Routing) and #42237 (Lock Nut)
- Use of this Porter-Cable Template Guide will yield 21/32" I.D., 3/4" O.D. and 9/16" distance past router base

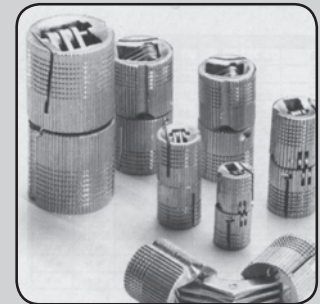
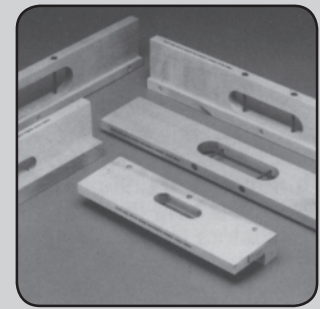
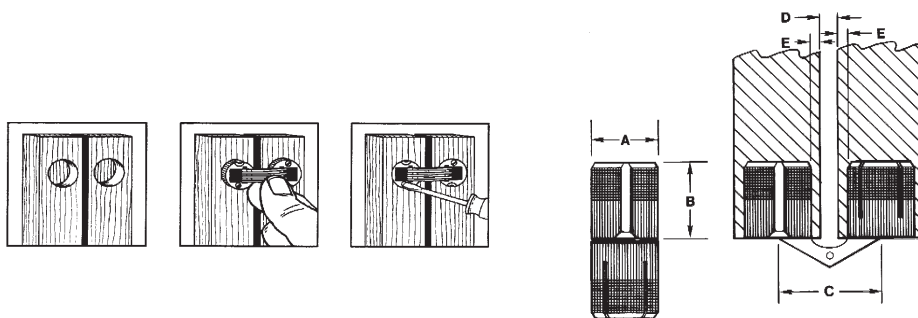
| PRODUCT | SOSS HINGE MODEL # | ROUTER BIT SIZE | QTY/BOX |
|---------|--------------------|-----------------|---------|
| 420101  | 101                | 1/4"            | 1       |
| 420103  | 103                | 3/8"            | 1       |
| 420203  | 203                | 3/8"            | 1       |
| 420204  | 204                | 3/8"            | 1       |
| 420208  | 208                | 3/8"            | 1       |
| 420212  | 212                | 3/8"            | 1       |
| 420216  | 216                | 1/2"            | 1       |
| 420218  | 218                | 1/2"            | 1       |
| 420220  | 220                | 1/2"            | 1       |

### «Soss» Barrel Hinges

- Made of solid brass with brass links. Easily installed with no mortising. Drill to the proper size and insert the hinge
- Totally invisible from either side when the door is closed
- Secure mounting in the wooden door or panel is assured by tightening the tension screw
- To accommodate high loadings, the cylinders can be additionally secured by installing a chipboard or wood screw in the groove on the exposed end

Sold by unit

| PRODUCT   | MODEL # | MIN. DOOR THICKNESS | DRILL BIT NEEDED (IN.) | DIMENSIONS IN MILLIMETERS |      |      |     |         | QTY/BOX |
|-----------|---------|---------------------|------------------------|---------------------------|------|------|-----|---------|---------|
|           |         |                     |                        | A                         | B    | C    | D   | E (MAX) |         |
| 420104130 | BH104   | 1/2"                | 25/64"                 | 10                        | 11.5 | 15.7 | 2   | 1.8     | 24      |
| 420124130 | BH124   | 5/8"                | 15/32"                 | 12                        | 13.3 | 19   | 2.7 | 2.1     | 24      |
| 420144130 | BH144   | 3/4"                | 35/64"                 | 14                        | 15.5 | 23   | 3   | 3       | 24      |
| 420164130 | BH164   | 7/8"                | 5/8"                   | 16                        | 16.5 | 23.5 | 3   | 2.3     | 24      |



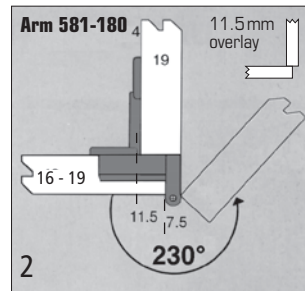
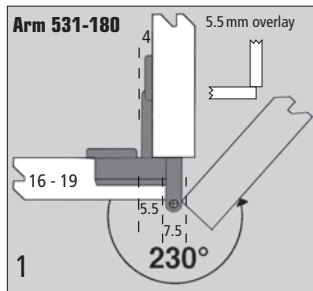
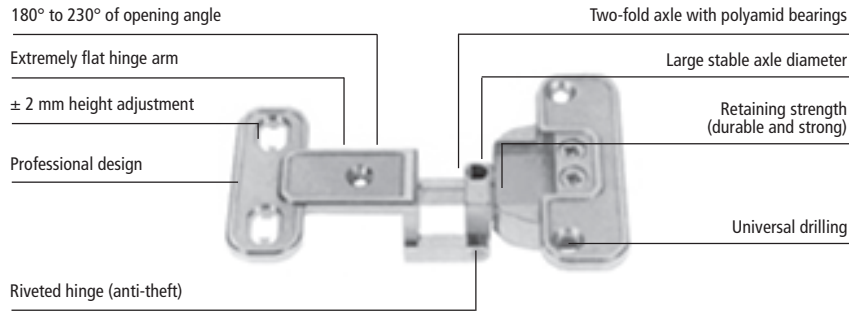
CCRM 2018

# Hinges I

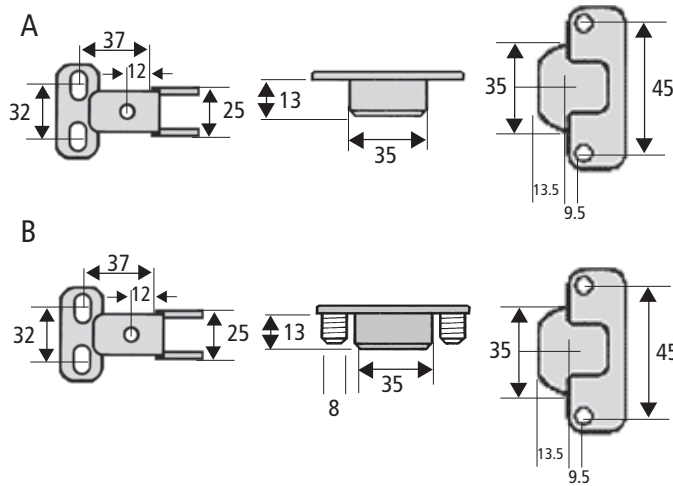
## Institutional Hinges

### Hinge with Exposed Axle

- Polyamid bedded axle ensures great stability and a long life
- Extremely flat hinge arm allows for full access to the wardrobe interior
- Horizontal and height adjustment
- Saves time and money because the carcass and door are connected quickly and safely



(All measurements are in mm)



### Universal Bowl

Sold by unit

| PRODUCT    | FINISH | DESCRIPTION   | OVERLAY | QTY/BOX |
|------------|--------|---------------|---------|---------|
| 200180 (A) | Nickel | Screw-in bowl | -       | 200     |
| 201180 (B) | Nickel | Knock-in bowl | -       | 200     |
| 531180 (1) | Nickel | Single arm    | 5.5 mm  | 100     |
| 581180 (2) | Nickel | Single arm    | 11.5 mm | 100     |

## Richelieu Section 31



1  
SCREWS  
AND  
FASTENERS

2  
FURNITURE  
EQUIPMENT

3  
HINGES

4  
SLIDES

5  
CASTERS  
AND LEGS

6  
KITCHEN  
SOLUTIONS

7  
CLOSET  
SOLUTIONS

8  
LIGHTING  
SOLUTIONS

9  
SINKS  
AND  
FAUCETS

10  
OFFICE

11  
SLIDING  
DOORS  
SYSTEMS

12  
GLASS  
HARDWARE

13  
PANELS  
AND  
SURFACES

14  
EDGE-  
BANDING

15  
CABINET  
DOORS  
AND  
DRAWERS

16  
MOLDINGS,  
CORBELS  
AND WINE  
CELLARS

17  
GLUES,  
SILICONES,  
CAULK AND  
INSULATING

18  
TOOLS  
AND  
SECURITY

19  
FINISHING  
PRODUCTS  
AND  
ABRASIVES

20  
COMMERCIAL  
DISPLAY AND  
HARDWARE

21  
BUILDERS  
HARDWARE

CCRM 2018

Page 311



# I Hinges I

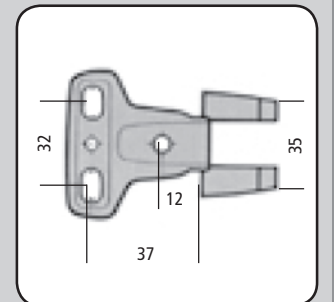
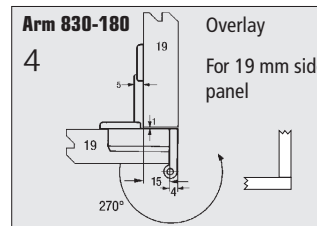
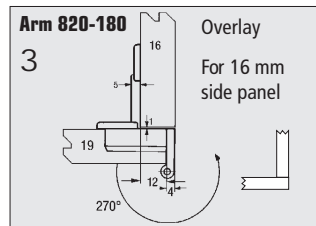
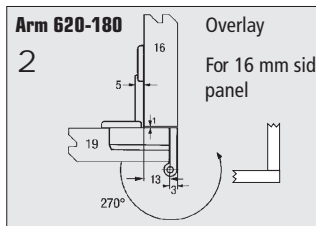
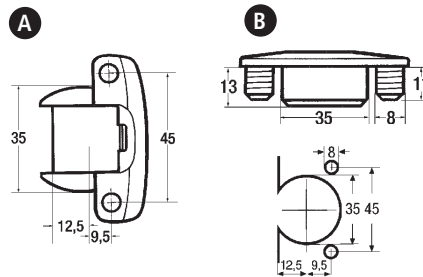
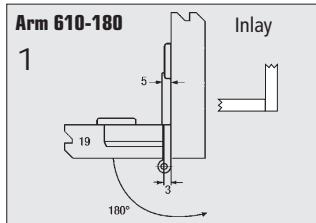
## Institutional Hinges

## Richelieu Section 3I

### Self Closing Hinges with Exposed Axle

- New design, more attractive
- Fast installation without tools
- Overlay and height adjustment
- Riveted axle protects against theft
- Tested for more than 100,000 opening cycles, no sag in door after 100,000 openings
- Saves time and money because the carcass and door are connected quickly and safely

(All measurements are in mm)



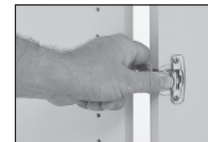
### Bowls and Arms

- Sold separately

Sold by unit

| RE. | NICKEL FINISH | BLACK FINISH | DESCRIPTION   | OVERLAY | QTY/BOX |
|-----|---------------|--------------|---------------|---------|---------|
| A   | 6080180       | -            | Screw-in bowl | -       | 200     |
| B   | 201180        | 608190       | Knock-in bowl | -       | 200     |
| 1   | 610180        | -            | Single arm    | Inlay   | 100     |
| 2   | 620180        | -            | Single arm    | 13 mm   | 100     |
| 3   | 820180        | -            | Single arm    | 12 mm   | 100     |
| 4   | 830180        | -            | Single arm    | 15 mm   | 100     |

#### Installation



The pressure of a finger is sufficient

#### Separation



A slight turn with a screwdriver releases the hinge connection



# Hinges I

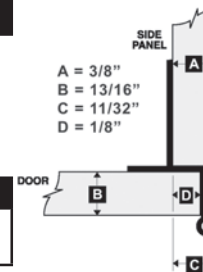
## Institutional Hinges

Richelieu offers a wide selection of 5-knuckle overlay hinges, 2-3/4" in height to meet the requirements of your application. All Richelieu hinges have as standard: hospital tips; 270° opening angle; drilled knuckle IDs and machined knuckle edges for smooth operation; and a non-removable knurled pin. The 370 Series, and 450 Series overlay hinges meet ANSI/BHMA 156,9 Grade 1 requirements. The 370 Series, overlay hinges are designed for the 32 mm side panel line boring system. The 450 Series overlay hinges are designed for both the 32 mm side panel line boring system and 45 mm insertion system on the door wing. All mounting holes are countersunk for #8 flat head screws. 370 Series - include : 91374xxx and 91376xxx numbers / 450 Series - include : 91454xxx and 91456xxx numbers.

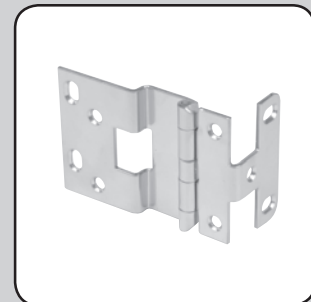
### Institutional Hinges 3/8" Overlay

- Reveal (A-D) 1/4" (6.4 mm)
- 0.095" (2.4 mm) material thickness
- Staggered side panel mounting holes
- All « BP » are sold per pair in a bag

| PRODUCT   | FINISH | A                | B                   | C                  | D                | QTY/BOX |
|-----------|--------|------------------|---------------------|--------------------|------------------|---------|
| BP9184990 | Black  | 3/8"<br>(9.5 mm) | 13/16"<br>(20.6 mm) | 11/32"<br>(8.7 mm) | 1/8"<br>(3.2 mm) | 1 pair  |



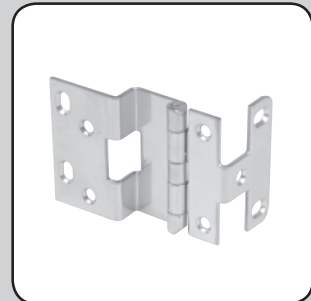
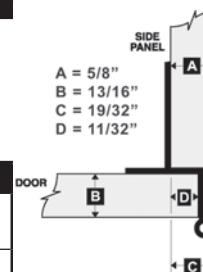
A = Side panel  
 B = Door thickness  
 C = Hinge overlay  
 D = Door overlay



### Institutional Hinges 5/8" Overlay

- Reveal (A-D) 9/32" (7.1 mm)
- 0.095" (2.4 mm) material thickness
- Staggered side panel mounting holes
- All « BP » are sold per pair in a bag

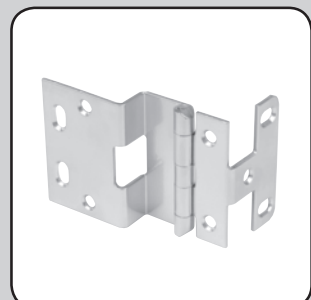
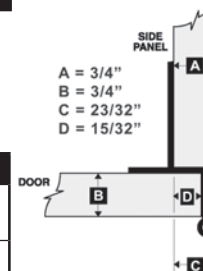
| PRODUCT    | FINISH       | A                 | B                   | C                   | D                  | QTY/BOX   |
|------------|--------------|-------------------|---------------------|---------------------|--------------------|-----------|
| BP9185390  | Black        | 5/8"<br>(15.9 mm) | 13/16"<br>(20.6 mm) | 19/32"<br>(15.1 mm) | 11/32"<br>(8.7 mm) | 1 pair    |
| 91853145   | Satin Chrome | 5/8"<br>(15.9 mm) | 13/16"<br>(20.6 mm) | 19/32"<br>(15.1 mm) | 11/32"<br>(8.7 mm) | 100 units |
| BP91853145 | Satin Chrome | 5/8"<br>(15.9 mm) | 13/16"<br>(20.6 mm) | 19/32"<br>(15.1 mm) | 11/32"<br>(8.7 mm) | 1 pair    |



### Institutional Hinges 3/4" Overlay 370 Series

- Reveal (A-D) 9/32" (7.1 mm)
- 0.095" (2.4 mm) material thickness
- System 32 mm / Side panel
- All « BP » are sold per pair in a bag

| PRODUCT    | FINISH       | A               | B               | C                   | D                   | QTY/BOX |
|------------|--------------|-----------------|-----------------|---------------------|---------------------|---------|
| 9137490    | Black        | 3/4"<br>(19 mm) | 3/4"<br>(19 mm) | 23/32"<br>(18.3 mm) | 15/32"<br>(11.9 mm) | 1 unit  |
| BP9137490  | Black        | 3/4"<br>(19 mm) | 3/4"<br>(19 mm) | 23/32"<br>(18.3 mm) | 15/32"<br>(11.9 mm) | 1 pair  |
| BP91374145 | Satin Chrome | 3/4"<br>(19 mm) | 3/4"<br>(19 mm) | 23/32"<br>(18.3 mm) | 15/32"<br>(11.9 mm) | 1 pair  |



## Richelieu Section 31

CCRM 2018

- 1 SCREWS AND FASTENERS
- 2 FURNITURE EQUIPMENT
- 3 HINGES
- 4 SLIDES
- 5 CASTERS AND LEGS
- 6 KITCHEN SOLUTIONS
- 7 CLOSET SOLUTIONS
- 8 LIGHTING SOLUTIONS
- 9 SINKS AND FAUCETS
- 10 OFFICE
- 11 SLIDING DOORS SYSTEMS
- 12 GLASS HARDWARE
- 13 PANELS AND SURFACES
- 14 EDGE-BANDING
- 15 CABINET DOORS AND DRAWERS
- 16 MOLDINGS, CORBELS AND WINE CELLARS
- 17 GLUES, SILICONES, CAULK AND INSULATING
- 18 TOOLS AND SECURITY
- 19 FINISHING PRODUCTS AND ABRASIVES
- 20 COMMERCIAL DISPLAY AND HARDWARE
- 21 BUILDERS HARDWARE

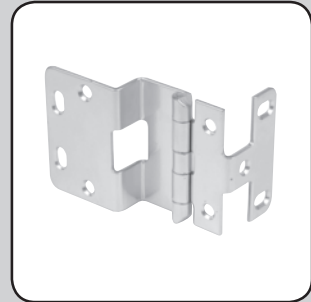
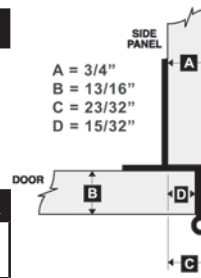
# Hinges | Institutional Hinges

## Richelieu Section 31

### Institutional Hinges 3/4" Overlay 370 Series

- Reveal (A-D) 9/32" (7.1 mm)
- 0.095" (2.4 mm) material thickness
- System 32 mm / Side panel
- All « BP » are sold per pair in a bag

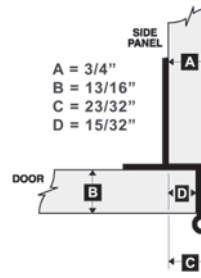
| PRODUCT    | FINISH          | A               | B                   | C                   | D                   | QTY/BOX |
|------------|-----------------|-----------------|---------------------|---------------------|---------------------|---------|
| 9137690    | Black           | 3/4"<br>(19 mm) | 13/16"<br>(20.6 mm) | 23/32"<br>(18.3 mm) | 15/32"<br>(11.9 mm) | 1 unit  |
| BP9137690  | Black           | 3/4"<br>(19 mm) | 13/16"<br>(20.6 mm) | 23/32"<br>(18.3 mm) | 15/32"<br>(11.9 mm) | 1 pair  |
| BP91376145 | Satin Chrome    | 3/4"<br>(19 mm) | 13/16"<br>(20.6 mm) | 23/32"<br>(18.3 mm) | 15/32"<br>(11.9 mm) | 1 pair  |
| 91376170   | Stainless Steel | 3/4"<br>(19 mm) | 13/16"<br>(20.6 mm) | 23/32"<br>(18.3 mm) | 15/32"<br>(11.9 mm) | 1 unit  |



### Institutional Hinges 3/4" Overlay 450 Series

- Reveal (A-D) 9/32" (7.1 mm)
- 0.095" (2.4 mm) material thickness
- 32 mm system; Side Panel + 45 mm system; door
- All « BP » are sold per pair in a bag

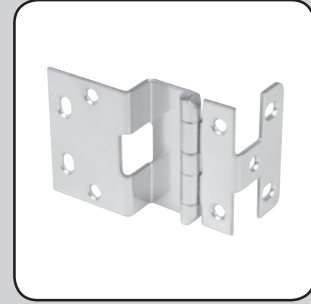
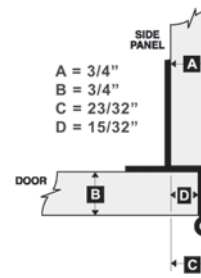
| PRODUCT    | FINISH       | A               | B                   | C                   | D                   | QTY/BOX |
|------------|--------------|-----------------|---------------------|---------------------|---------------------|---------|
| BP9145690  | Black        | 3/4"<br>(19 mm) | 13/16"<br>(20.6 mm) | 23/32"<br>(18.3 mm) | 15/32"<br>(11.9 mm) | 1 pair  |
| BP91456145 | Satin Chrome | 3/4"<br>(19 mm) | 13/16"<br>(20.6 mm) | 23/32"<br>(18.3 mm) | 15/32"<br>(11.9 mm) | 1 pair  |



### Institutional Hinges 3/4" Overlay 450 Series

- Reveal (A-D) 9/32" (7.1 mm)
- 0.095" (2.4 mm) material thickness
- 32 mm system; Side Panel + 45 mm system; door
- All « BP » are sold per pair in a bag

| PRODUCT    | FINISH       | A               | B               | C                   | D                   | QTY/BOX |
|------------|--------------|-----------------|-----------------|---------------------|---------------------|---------|
| BP9145490  | Black        | 3/4"<br>(19 mm) | 3/4"<br>(19 mm) | 23/32"<br>(18.3 mm) | 15/32"<br>(11.9 mm) | 1 pair  |
| BP91454145 | Satin Chrome | 3/4"<br>(19 mm) | 3/4"<br>(19 mm) | 23/32"<br>(18.3 mm) | 15/32"<br>(11.9 mm) | 1 pair  |



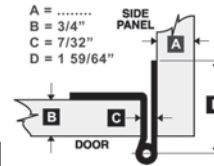
# Hinges I

## Institutional Hinges

### Institutional Hinges 3/4" Flush

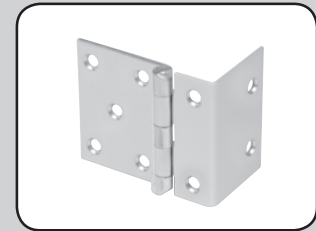
- Barrel height 2-1/2" (63.5 mm)
- 0.083" (2.1 mm) material thickness
- All «BP» are sold per pair in a bag

| PRODUCT    | FINISH       | A   | B           | C             | D                  | QTY/BOX   |
|------------|--------------|-----|-------------|---------------|--------------------|-----------|
| 9186090    | Black        | N/A | 3/4" (19mm) | 7/32" (5.6mm) | 1-59/64" (48.8 mm) | 100 units |
| BP9186090  | Black        | N/A | 3/4" (19mm) | 7/32" (5.6mm) | 1-59/64" (48.8 mm) | 1 pair    |
| 91860145   | Satin Chrome | N/A | 3/4" (19mm) | 7/32" (5.6mm) | 1-59/64" (48.8 mm) | 1 unit    |
| BP91860145 | Satin Chrome | N/A | 3/4" (19mm) | 7/32" (5.6mm) | 1-59/64" (48.8 mm) | 1 pair    |



A = Side panel  
 B = Door thickness  
 C = Door clearance  
 D = Cabinet wing length

## Richelieu Section 31

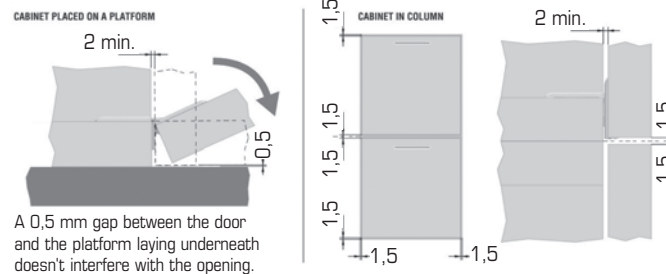


### Hinges for Lift-Up and Down Doors

These hinges are designed to open and close flap and drop-down doors. With a unique, exclusive movement design, it opens vertical cabinet doors even when the cabinet bottom rests on another panel or the cabinet top is topped with a decorative or lighting panel.

The minimum panel thickness for the installation of a these hinges is 18 mm. For installation on panels of 16 mm (5/8"), use the adapter #11116180.

- Depth adjustment: 0 to 2 mm.
- Lateral adjustment: 0 to 1 mm.
- Vertical adjustment: 0 to 2 mm.
- Locking system.
- Standard drilling diameter: 26 mm.
- Minimal depth: 15 mm.
- This hinge installs without adapter on a door and cabinet panel that has a thickness of 18 mm to 20 mm.



- Included Product(s):**
- 4 perpendicular mounting screws.
  - Adapter for 18 mm and 21 mm panel.
  - Instructions

| PRODUCT  | FINISH | DRILLING Ø | PANEL THICKNESS | QTY/BOX |
|----------|--------|------------|-----------------|---------|
| 11125180 | Nickel | 26 mm      | 23/32" (18 mm)  | 1       |

- 1 SCREWS AND FASTENERS
- 2 FURNITURE EQUIPMENT
- 3 HINGES
- 4 SLIDES
- 5 CASTERS AND LEGS
- 6 KITCHEN SOLUTIONS
- 7 CLOSET SOLUTIONS
- 8 LIGHTING SOLUTIONS
- 9 SINKS AND FAUCETS
- 10 OFFICE
- 11 SLIDING DOORS SYSTEMS
- 12 GLASS HARDWARE
- 13 PANELS AND SURFACES
- 14 EDGE-BANDING
- 15 CABINET DOORS AND DRAWERS
- 16 MOLDINGS, CORBELS AND WINE CELLARS
- 17 GLUES, SILICONES, CAULK AND INSULATING
- 18 TOOLS AND SECURITY
- 19 FINISHING PRODUCTS AND ABRASIVES
- 20 COMMERCIAL DISPLAY AND HARDWARE
- 21 BUILDERS HARDWARE

CCRM 2018

